

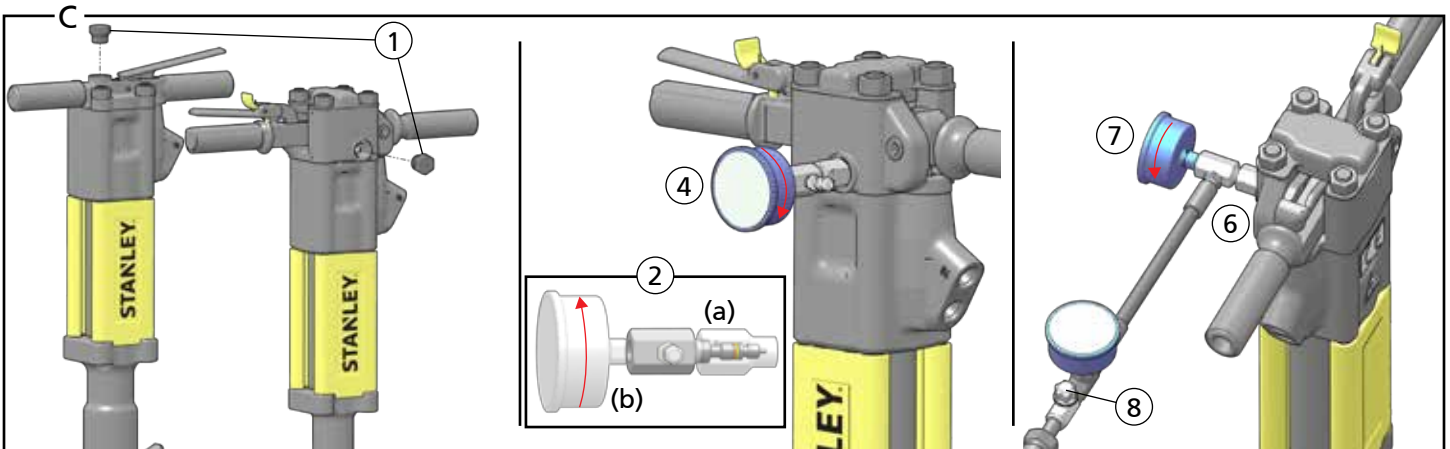
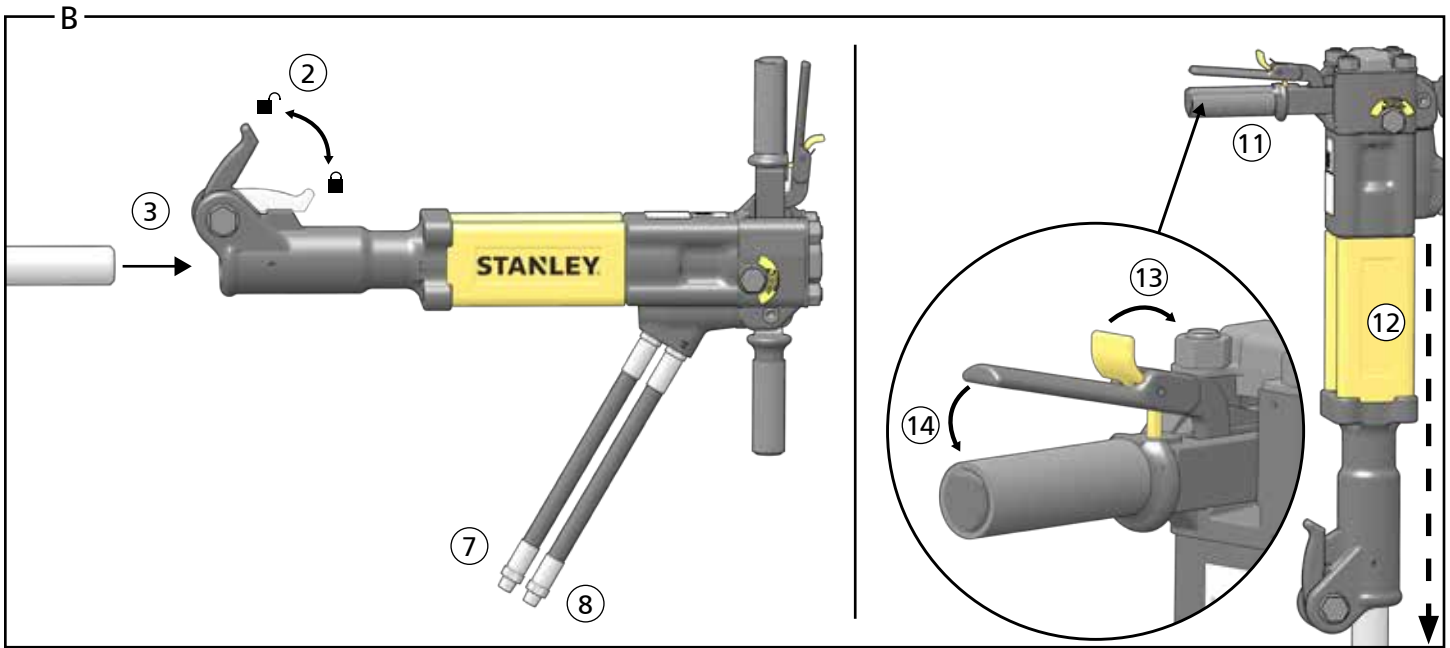
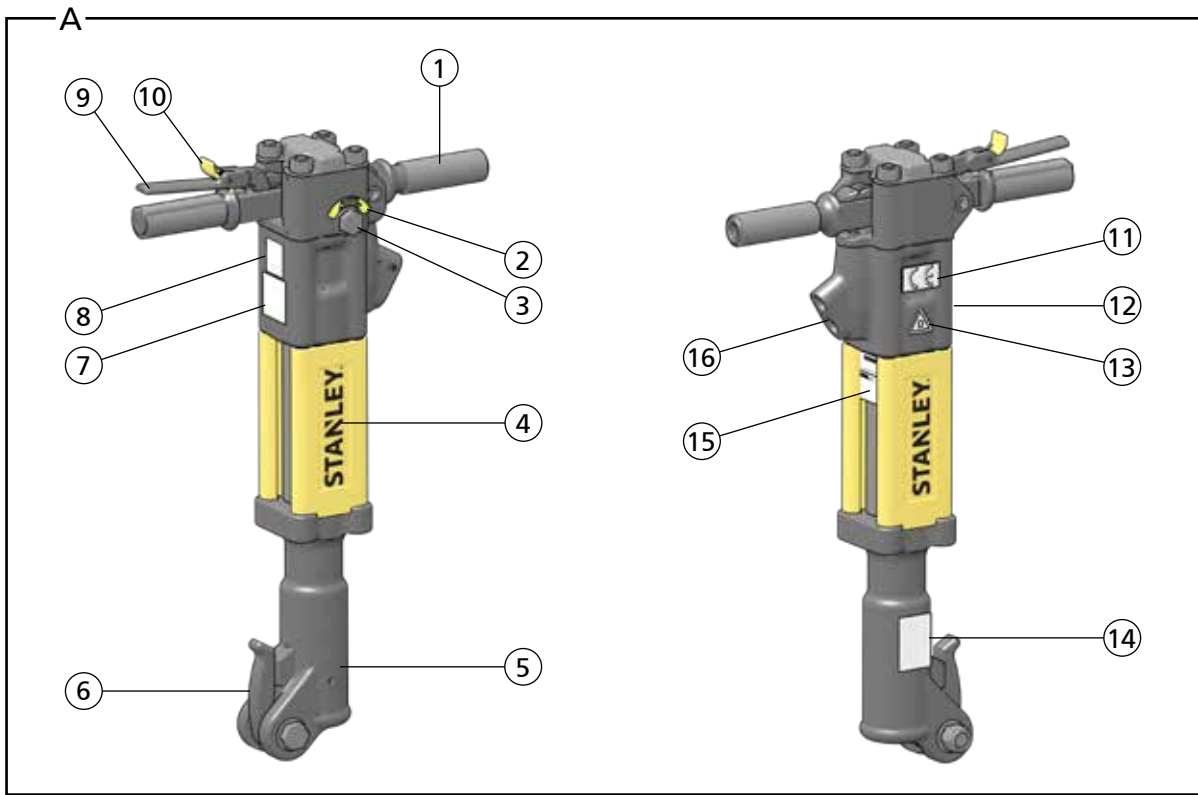


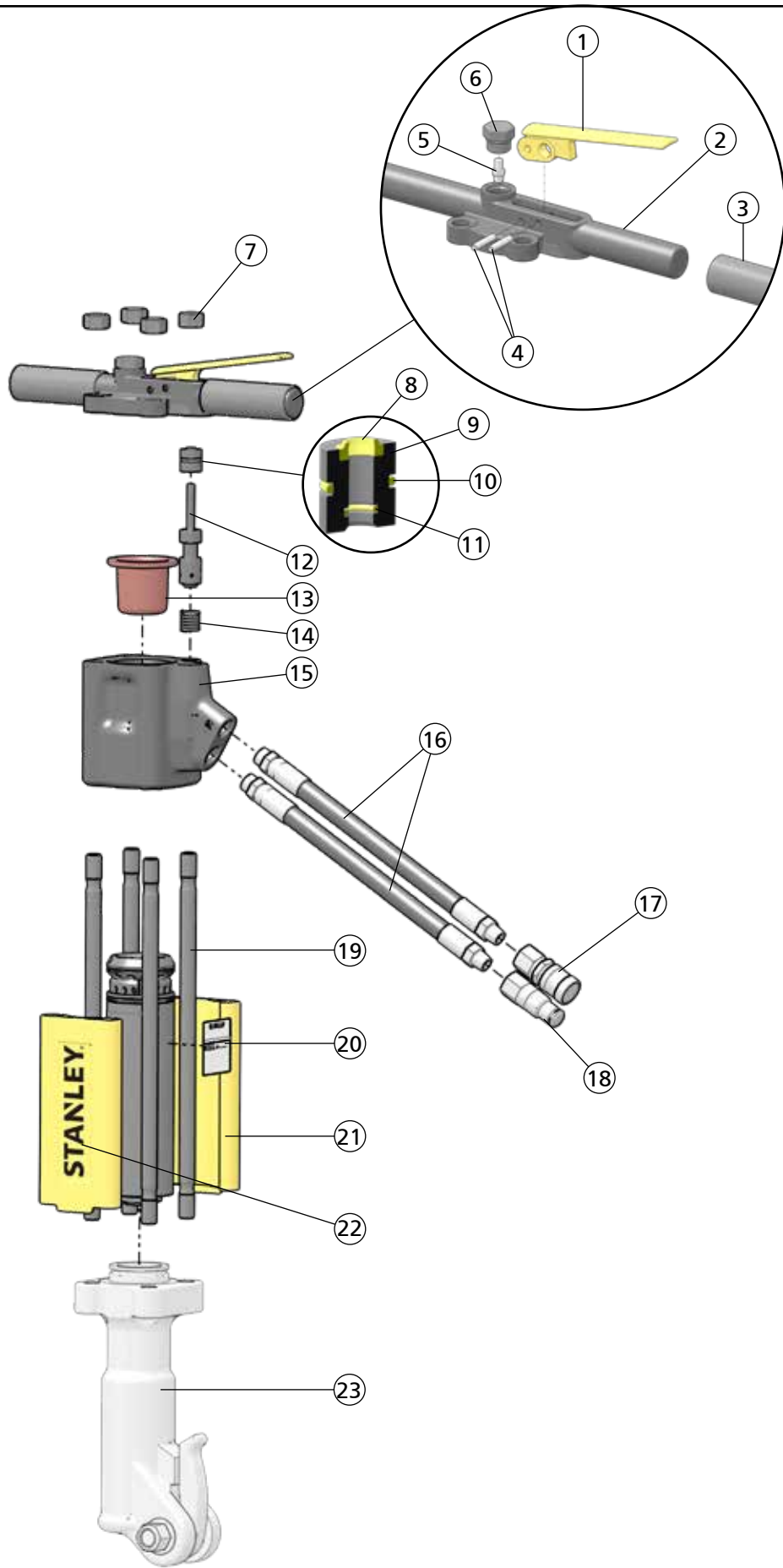
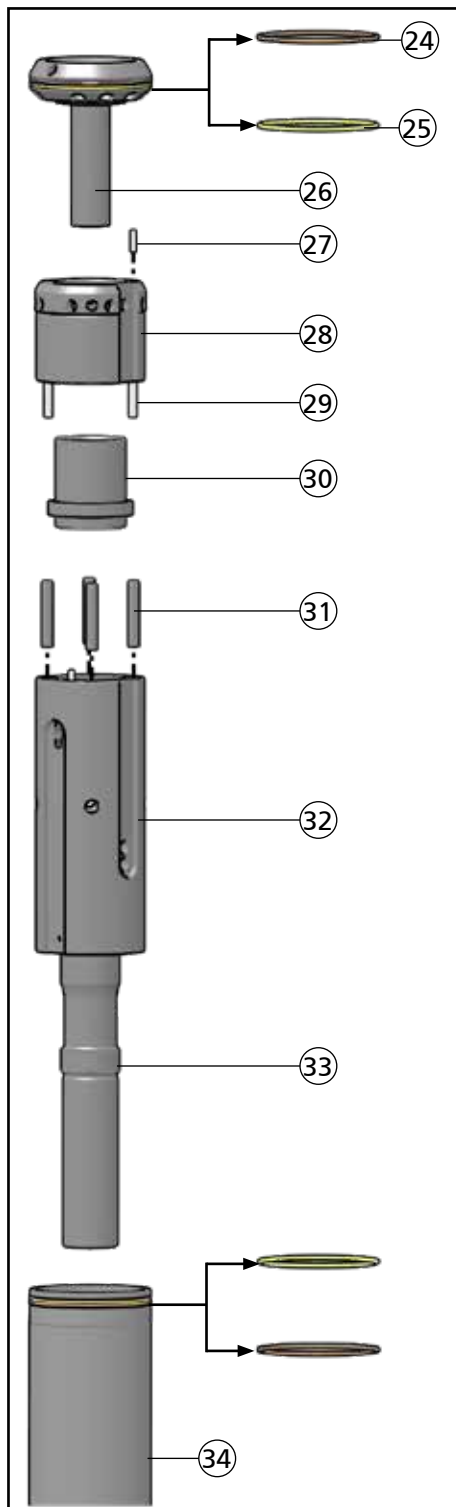
# BR50 Hydraulic Breaker

72962 User Manual 3/2022 Ver. 16

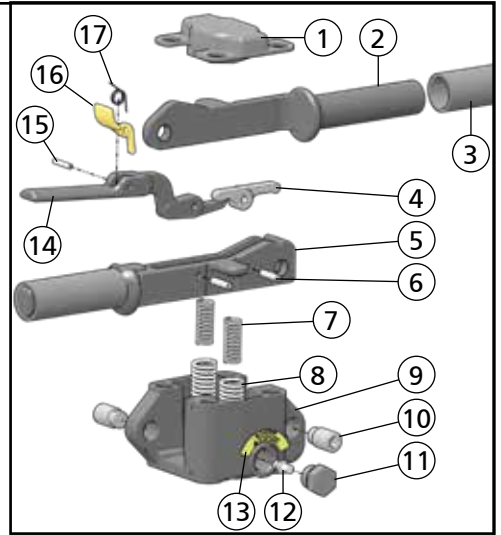
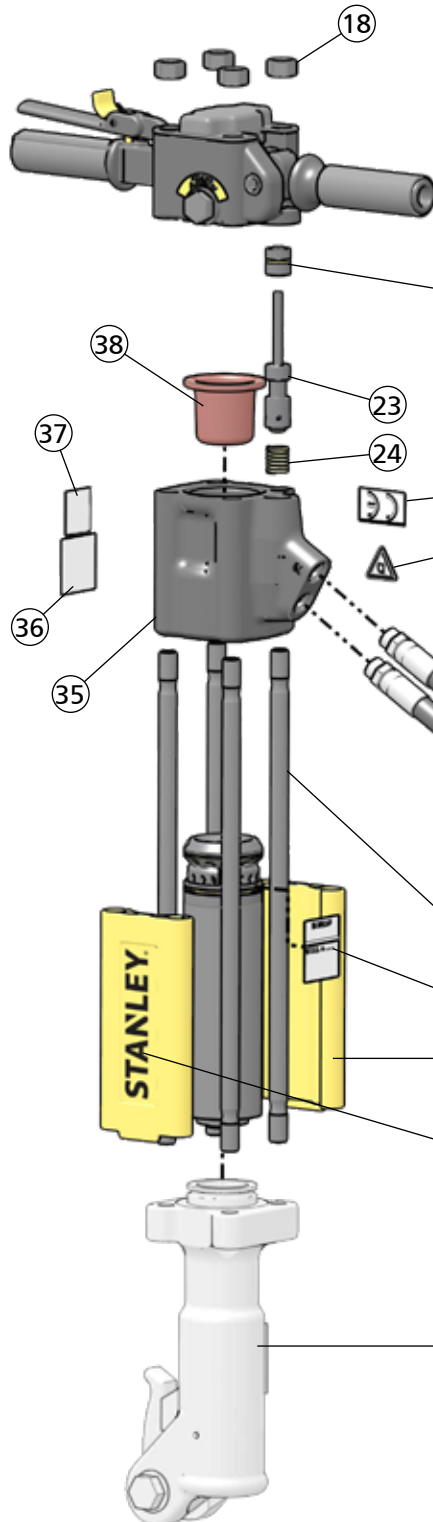
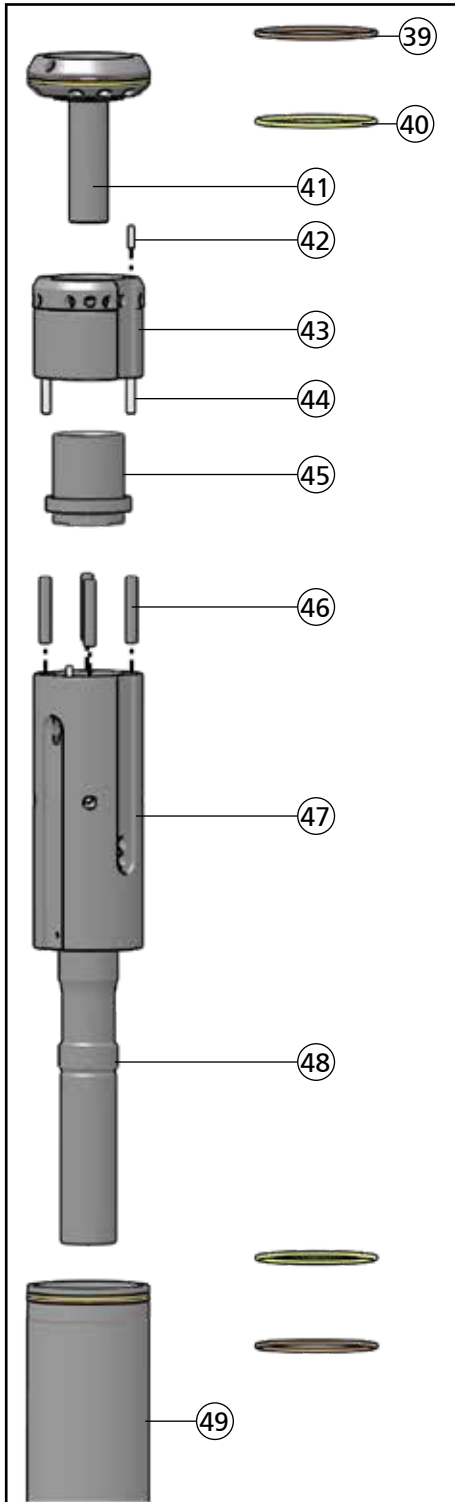
<b>DECLARATION OF CONFORMITY</b> <b>ÜBEREINSTIMMUNGS-ERKLÄRUNG</b> <b>DECLARATION DE CONFORMITE CEE</b> <b>DECLARACION DE CONFORMIDAD CEE</b> <b>DICHIARAZIONE DI CONFORMITA</b>		<b>STANLEY</b> Infrastructure 	
I, the undersigned: Ich, der Unterzeichnende: Je soussigné: El abajo firmante: Io sottoscritto:		<div style="border: 1px solid black; padding: 5px; display: inline-block;"> <b>Nuerenberg, David</b> </div> <small>Surname and First names/Familiennname und Vornamen/Nom et prénom/Nombre y apellido/Cognome e nome</small>	
<b>hereby declare that the equipment specified hereunder:</b> <b>bestätige hiermit, daß erklaren Produkt genannten Werk oder Gerät:</b> <b>déclare que l'équipement visé ci-dessous:</b> <b>Por la presente declaro que el equipo se especifica a continuación:</b> <b>Dichiaro che le apparecchiature specificate di seguito:</b>			
1. Category:	<b>Hydraulic Hand Held Concrete Breaker</b>		
Kategorie:			
Catégorie:			
Categoria:			
Categoria:			
2. Make/Marke/Marque/Marca/Marca	<b>STANLEY</b>		
3. Type/Typ/Type/Tipo/Tipo:	<b>BR5017801, BR5017801AA, BR5057801, BR5057801AA</b>		
4. Serial number of equipment:	<div style="border: 1px solid black; padding: 10px; display: inline-block;"> <b>All</b> </div>		
Seriennummer des Geräts:			
Numéro de série de l'équipement:			
Numero de serie del equipo:			
Matricola dell'attrezzatura:			
5. Mass/Masse/Masse/Masa/Massa	25 kg		
<b>Has been manufactured in conformity with</b> <b>Wurde hergestellt in Übereinstimmung mit</b> <b>Est fabriqué conformément</b> <b>Ha sido fabricado de acuerdo con</b> <b>E' stata costruita in conformità con</b>			
Directive/Standards	No.	Approved body	
Richtlinie/Standards	Nr	Prüfung durch	
Directives/Normes	Numéro	Organisme agréé	
Directriz/Los Normas	No	Aprobado	
Direttiva/Norme	n.	Collaudato	
EN ISO	11148-4:2012	Self	
Noise Directive	2000/14/EC:2005	AkustikNet (Notified body ID 1585)	
	3744:2010	Bagsvard Hovedgade 141, 2880 Bagsvard, Denmark	
		Certificate #863/2011/003 (verification 2015-08-04) Valid 12/31/2018	
EN ISO	28927-10	Self	
EN ISO	13732-1	Self	
Machinery Directive	2006/42/EC	Self	
6. Special Provisions:	<b>None</b>	7. Measurements: <b>Measured Sound Power Level 102 LwA</b>	
Spezielle Bestimmungen:		Messungen <b>Guaranteed Sound Power Level 104 LwA</b>	
Dispositions particulières:		Mesures Measured in accordance to Directive 2000/14/EC,	
Provisiones especiales:		Mediciones Annex III, Part B, No 10, 15 < m < 30	
Disposizioni speciali:		Misurazioni	
8. Representative in the Union: <b>Patrick Vervier, Stanley Dubuis 17-19, rue Jules Berthonneau-BP 3406 41034 Blois Cedex, France.</b> Vertreter in der Union/Représentante dans l'union/Representante en la Union/Rappresentante presso l'Unione			
Done at/Ort/Fait à/Dado en/Fatto a <b>STANLEY Infrastructure, Portland, Oregon, USA</b>		Date/Datum/le/Fecha/Data <b>4-27-2018</b>	
Signature/Unterschrift/Signature/Firma/Firma		 North America Quality Manager	
Position/Position/Fonction/Cargo/Posizione			

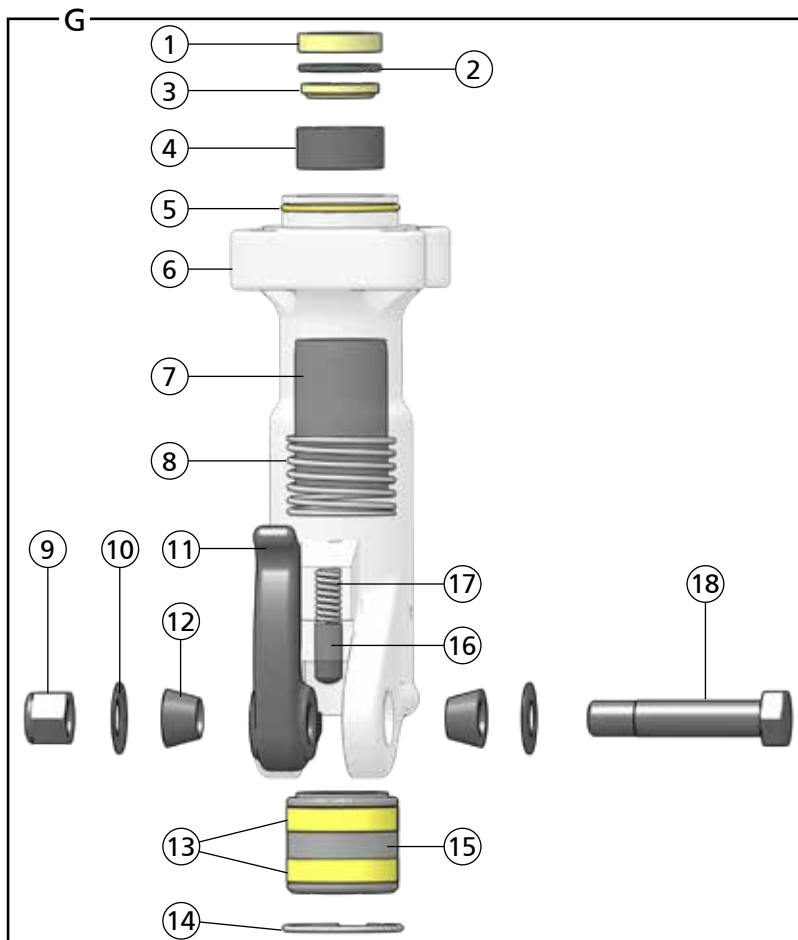
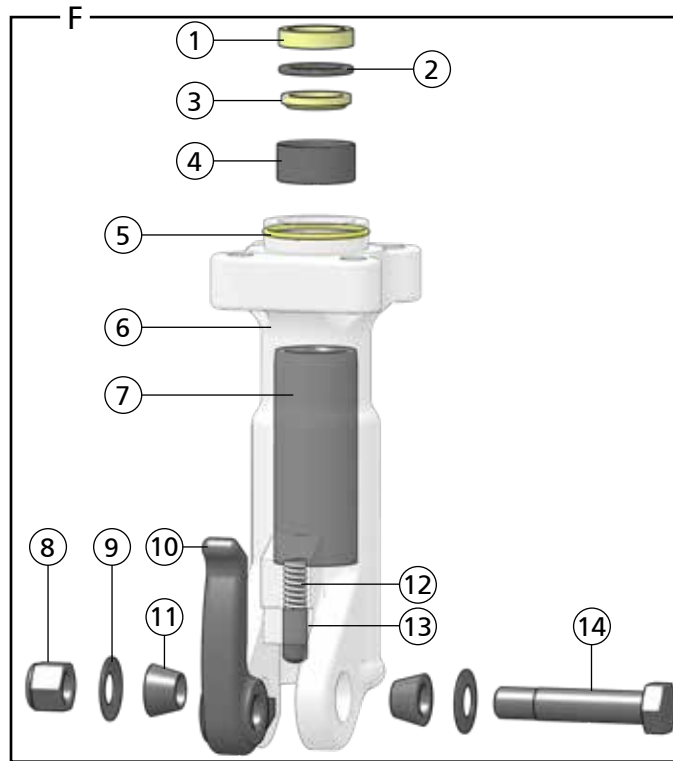


D



E





T-Handle Parts Illustration - Detail D		
ITEM	P/N	DESCRIPTION
1	04371	Trigger
2	07483	Handle
3	02494	Grip
4	07492	Roll Pin
5	20499	Charge Valve
6	07493	O-ring Plug
7	04374	Hex Nut
8	04056	Rod Wiper*
9	04057	Bushing
10	00293	O-ring*
11	01362	O-ring*
12	04077	Valve Spool
13	07479	Accumulator Diaphragm
14	04058	Spring
15	11588	Accumulator Valve Block
16	01652	Hose Whip
17	03972	Female Coupler
18	03973	Male Coupler
19	04373	Side Rod
20	74662	Tool Name Tag
21	72919	Snap-on Filler
22	74832	STANLEY Logo Decal
23	Depends on Model	Breaker Foot, see detail F & G
24	04381	Backup Ring*
25	04379	O-ring*
26	09640	Porting Block
27	02900	Roll Pin
28	07480	Automatic Valve Body
29	04571	Push Pin
30	04382	Automatic Valve
31	04605	Push Pin
32	09611	Flow Sleeve
33	19443	Piston
34	04383	Flow Sleeve Tube
35	13552	Seal Kit (Not Shown) - * In Seal Kit





Anti-Vibration Parts Illustration - Detail E		
ITEM	P/N	DESCRIPTION
11	07493	O-ring Plug
12	20499	Charge Valve
13	10180	Caution: Nitrogen Gas Under Pressure Decal
14	58526	Trigger
15	07624	Roll Pin
16	58527	Trigger Lock
17	66828	Spring
18	04374	Hex Nut
19	04056	Rod Wiper*
20	04057	Bushing
21	00293	O-ring*
22	01362	O-ring*
23	20515	Valve Spool
24	04058	Spring
25	28322	CE Decal
26	11207	Circuit Type "D" Decal
	11206	Circuit Type "C" Decal - Models BR5057801 & BR5057801AA
27	01652	Hose Whip
28	03972	Female Coupler
29	03973	Male Coupler
30	20517	Side Rod
31	74661	Tool Name Tag
	74665	Tool Name Tag - Model BR5057801
32	72919	Snap-on Filler
33	74832	STANLEY Logo Decal
34	Depends on Model	Breaker Foot, see Detail F & G
35	11588	Accumulator Valve Block
36	28409	Composite Safety Decal
37	66654	Sound Power Decal
38	07479	Accumulator Diaphragm
39	04381	Backup Ring*
40	04379	O-ring*
41	09640	Porting Block
42	02900	Roll Pin
43	07480	Automatic Valve Body
44	04571	Push Pin
45	04382	Automatic Valve
46	04605	Push Pin
47	09611	Flow Sleeve
48	19443	Piston
	58597	Piston - Model BR5057801 & BR5057801AA
49	04383	Flow Sleeve Tube
50	13552	Seal Kit (Not Shown) - * In Seal Kit

Anti-Vibration Parts Illustration - Detail E		
ITEM	P/N	DESCRIPTION
1	28494	Top Plate
2	28369	Handle
3	02494	Grip
4	20511	Lever
5	58529	Trigger Handle
6	20500	Roll Pin
7	20541	Spring
8	20540	Spring
9	20505	Handle Pivot Block
10	20508	Pivot Screw

Breaker Foot Assembly - Detail F						
ITEM	DESCRIPTION	QTY	MODEL			
			BR50120	BR50125	BR50130	BR50135
1	Symmetrical Seal*	1	34092			
2	Backup Washer	1	09642			
3	Rod Wiper*	1	03127			
4	Insert	1	09643			
5	O-ring*	1	02022			
6	Breaker Foot	1	32275			
7	Hex Bushing	1	04081		04597	
8	Hex Nut	1	04984			
9	Washer	2	04985			
10	Latch	1	01837			
11	Taper Sleeve	2	01269			
12	Spring	1	01744			
13	Detent	1	08411			
14	Foot Latch Bolt	1	04983			

Breaker Foot Assembly - Detail G							
ITEM	DESCRIPTION	QTY	MODEL				
			BR50120E	BR50130E	BR5017801AA	BR5057801	BR5057801AA
1	Symmetrical Seal*	1	34092				
2	Backup Washer	1	09642				
3	Rod Wiper*	1	03127				
4	Insert	1	09643				
5	O-ring*	1	02022				
6	Breaker Foot	1	08157		11636		
7	Hex Bushing	1	07517	07518	11230		
8	Spring	1	08158				
9	Hex Nut	1	04984				
10	Washer	2	04985				
11	Latch	1	01837				
12	Taper Sleeve	2	01269				
13	Wear Ring	2	07516				
14	Retaining Ring	1	07522				
15	Collar Support	1	07519	07520	12013		
16	Detent	1	08411				
17	Spring	1	01744				
18	Foot Latch Bolt	1	04983				

## Safety Precautions

	The Safety Alert Symbol alerts you to potential personal injury hazards. Obey all safety messages that follow to avoid possible injury or death.
	Indicates an imminently hazardous situation which will result in death or serious injury.
	Indicates a potentially hazardous situation which could result in death or serious injury
	Indicates a potentially hazardous situation which could result in property damage.

Always observe safety symbols. They are included for your safety and for the protection of the tool.



**WARNING:** Read all safety warnings and instructions. Failure to follow the warnings and instructions may result in tool damage and/or serious injury.

**WARNING:** To reduce the risk of injury, read the instruction manual.

## General

- Do not discard safety instructions. Give to the operator.
- This tool will provide dependable service if operated in accordance with the instructions given in this manual. Read and understand this manual and any stickers and tags attached to the tool and hoses before operation. Failure to do so could result in personal injury or equipment damage.
- Inspect the tool before each use and ensure all decals are legible. Contact STANLEY if replacements are needed.
- Establish a training program for all operators to ensure safe operation. Do not operate the tool unless thoroughly trained or under the supervision of an instructor. Keep out of the reach of children.
- Operators and maintenance personnel shall be able to physically handle the bulk, weight and power of the tool.
- Avoid unsuitable postures as these positions do not allow for counteracting of normal or unexpected movement of the tool, such as a sudden break of the tool bit. Change postures during extended tasks to help avoid discomfort or fatigue.
- Never use the tool unless the inserted tool is retained with a proper retainer.
- Do not operate a damaged, improperly adjusted, modified or incompletely assembled tool.
- Use and maintain the tool as stated in this manual. Misuse of the tool can cause serious injury. Do not modify the tool in any way.
- Do not operate the tool in explosive atmospheres, such as in the presence of flammable liquids, gases or dust. Power tools create sparks which may ignite the dust or fumes.
- Provide adequate ventilation in closed areas when operating a gas or diesel hydraulic power source.
- Do not inspect, carry, clean, change accessories or perform maintenance on the tool while the power source is connected. Accidental engagement of the tool can cause serious injury.
- Ensure work piece is securely fixed. Be aware that failure of the work piece or accessories may generate high velocity projectiles.
- Never use the tool bit as a hand struck tool.
- Stay alert, watch what you are doing and use common sense when operating a hydraulic tool. Do not operate this tool if you are tired or under the influence of drugs or alcohol. A moment of inattention while operating hydraulic tools may result in serious injury.
- During operation, do not contact mechanisms, accessories or hardware as they can become very hot or sharp; use your Personal Protection Equipment (PPE).
- Supervising personnel should develop additional precautions relating to the specific work area and local safety regulations.
- Never operate the tool if you are unsure about the presence of underground utilities, such as electrical cables, gas pipes, etc. These can cause a hazard if damaged with the tool.
- The tool is not insulated against coming into contact with electric power. Use hose certified as non-conductive.
- Do not overreach. Maintain proper footing and balance at all times when using the tool.

- Slips, trips and falls are major causes of workplace injury. Be observant of hoses or oil surfaces lying about the work area, as they can be a tripping hazard.
- Operators must start in a work area without bystanders and must assess the risks to bystanders.
- Keep work area clean and well lit. Cluttered or dark areas invite accidents.
- Operators must be familiar with all prohibited work areas such as excessive slopes and dangerous terrain conditions.
- Only use clean hydraulic fluid, filling equipment and lubricants that have been recommended by STANLEY.
- Ensure tools are working properly and safely by performing preventative maintenance (PM) procedures.
- Repair and service of this tool must only be performed by an authorized and certified dealer.
- Do not force the tool to do the work of a larger tool. Use the correct tool for your application.
- Use only hoses and hose couplings that are rated for a minimum working pressure of 2500 PSI (172 BAR).
- In spite of the application of relevant safety regulations and the implementation of safety devices, certain residual risks cannot be avoided. These risks are: repetitive strain injury due to incorrect posture and risk of pinching fingers when changing tool bit.

## Dust and Fumes

- **WARNING:** Some dust created by power sanding, sawing, grinding, drilling, and other construction activities contains chemicals known to the State of California to cause cancer, birth defects or other reproductive harm. Some examples of these chemicals are:
  - Lead from lead-based paints,
  - crystalline silica from bricks and cement and other masonry products, and
  - arsenic and chromium from chemically-treated lumber.

Your risk from these exposures varies, depending on how often you do this type of work. To reduce your exposure to these chemicals: work in a well ventilated area, and work with approved safety equipment, such as those dust masks that are specially designed to filter out microscopic particles. Protect yourself and those around you. Research and understand the materials you are grinding. Follow correct safety procedures and comply with all applicable national, state or provisional health and safety regulations relating to them, including, if appropriate arranging for the safe disposal of the materials by a qualified person.

- When dust or fumes are created, control them at the point of emission. Direct tool exhaust to minimize disturbance of dust.
- Operate and maintain the tool as recommended in this manual to minimize dust.
- Use respiratory protection in accordance with employers instruction or as required by occupational health and safety regulations.
- Avoid prolonged contact with dust. Allowing dust to get into your mouth, eyes or lay on the skin may promote absorption of harmful chemicals.

## PPE

- Always wear safety equipment such as impact resistant goggles, ear protection, head protection, breathing protection and safety shoes at all times when operating the tool.
- Hands may be exposed to hazards, impacts, cuts, abrasions and heat. Wear gloves.
- Wear a hardhat if performing overhead work.
- Use PPE that conforms to standards ANSI Z87.1 (Eye and Face Protection), ANSI Z89.1 (Head Protection), ANSI Z41.1 (Foot Protection) and ANSI S12.6 (S3.19) (Hearing Protection).
- Do not wear loose fitting clothing or jewelry when operating the tool.



M003  
Wear Ear  
Protection



M004  
Wear Eye  
Protection



M016  
Wear a Mask

## Sound

- Exposure to high noise levels can cause permanent, disabling hearing



loss and other problems, such as tinnitus (ringing, buzzing, whistling or humming in the ears). Use hearing protection in accordance with employer's instructions and as required by occupational health and safety regulations.

- Use and maintain as recommended in the manual to prevent an unnecessary increase in noise levels.

## Vibration

- When using a non-rotary percussive tool to perform work related activities, the operator can experience discomfort in the hands, arms, shoulders, neck or other parts of the body.
- If you experience numbness, tingling, pain or whitening of the skin in your fingers or hands, stop using the tool. Tell your employer and consult a physician.
- Wear warm clothing when working in cold conditions and keep your hands warm and dry.
- Exposure to vibration can cause disabling damage to the nerves and blood supply of the hands and arms.
- Use and maintain as recommended in the manual to prevent an unnecessary increase in vibration.
- Check for vibration level before each service. If you feel a higher than normal vibration, contact your STANLEY dealer for repair.

## Hydraulic

- **Warning:** Hydraulic fluid under pressure could cause skin injection injury. Do not check for leaks with your hands. If you are injured by hydraulic fluid, get medical attention immediately.
- Do not let hydraulic oil get on the skin. Hydraulic oil is hot. Wear Personal Protection Equipment (PPE) at all times.
- If exposed to hydraulic fluid, wash hands immediately.
- Do not exceed the maximum relief valve setting stated on the tool.
- Inspect and clean couplers before use, daily. Replace damaged couplers immediately.
- Hydraulic circuit control valve must be OFF before coupling or uncoupling tools. Failure to do so may damage the couplers and cause overheating of the hydraulic system.
- Ensure the couplers are properly connected and are tight.
- Do not operate the tool at fluid temperatures above 140°F (60°C). Higher temperatures can cause operator discomfort and damage to the tool.
- Do not exceed the rated flow and pressure as stated on the tool. Rapid failure of the internal seals may result.

## What is the BR50 Hydraulic Breaker?

BR50 is a hydraulic breaker for use in the 35-55 lbs. weight class. Designed for light to medium duty operation, BR45 excels at curb and sidewalk demolition, asphalt cutting and ground rod driving. BR50 requires an external hydraulic power source capable of supplying 7-9 GPM or 4-6 GPM, depending on model.

Specifications	
Pressure	1500-2500 PSI (103-172 BAR)
Flow	7-9 GPM (26-34 LPM) 4-6 GPM (15-22 LPM)
Max. Pressure	2500 PSI (172 BAR)
Max. Relief Pressure	2150 PSI (148 BAR)
Recommended Back Pressure	250 PSI (17 BAR) or less - Can be used with higher back pressures with reduced seal life.
Couplers	3/8 Inch Male Pipe Hose Ends
Port Size	-8 SAE O-ring
Tool Weight	T-Handle: 52 Lbs. (24 Kg) Anti-Vibration: 56 Lbs (25 Kg)
Tool Length	28 Inches (71 cm)
Width (at handles)	18 Inches (46 cm)
Max. Hydraulic Oil Temp.	140°F (60°C)
HTMA/EHTMA Category	Type I & II, Category D

Sound & Vibration Declaration	
Measured A-Weighted sound power level	102.9 dBA
Uncertainty	1.7 dBA
Measured A-Weighted Sound Pressure (including uncertainty)	105 dBA
Values determined according to noise test code given in ISO 15744, using the basic standard ISO3744. Test conducted by independent notified body to comply with 2000/14/EC:2005.	
T-Handle	
Measured Vibration Emission Value: 3-Axis (Trigger Handle)	102.4 m/sec <sup>2</sup>
Measured Vibration Emission Value: 3-Axis (Non-Trigger Handle)	84.1 m/sec <sup>2</sup>
Uncertainty	34.7 m/sec <sup>2</sup>
Anti-Vibration Handle	
Measured Vibration Emission Value: 3-Axis (Trigger Handle)	12.9 m/sec <sup>2</sup>
Measured Vibration Emission Value: 3-Axis (Non-Trigger Handle)	10.2 m/sec <sup>2</sup>
Uncertainty	2.7 m/sec <sup>2</sup>

## Parts of a BR50 - Detail A

1	Handle
2	Gas Under Pressure Decal
3	Accumulator Charging Port
4	STANLEY Logo Decal
5	Breaker Foot
6	Tool Bit Latch
7	Composite Safety Decal (CE Models)
8	Sound Power Level Decal (CE Models)
9	Trigger
10	Trigger Lock (CE Models)

11	CE Decal (CE Models)
12	Serial Number and Year of Manufacture
13	Circuit Type "D" Decal (CE Models)
14	Hex Shank Length Decal
15	Tool Name Tag
16	Hydraulic Supply Ports

## Tool Setup - Detail B

### **WARNING**

Do not install or change tool accessories while the hydraulic power source is connected. Accidental engagement of the tool can cause serious injury. Disconnect the hydraulic power source before installing or changing accessories.

1. Disconnect the tool from the hydraulic power source.

### Install the breaker bit

### **WARNING**

The tool bit can get extremely hot during operation. Always wear gloves when installing bits. Hot bits can cause burns.

2. Unlock the breaker foot latch.
3. Insert the tool bit and lock the latch. Never use BR50 unless the tool bit is locked in the retainer.

Note: Never use a blunt tool bit as they cause more vibration.

## Tool Operation - Detail B

### Connect to a Hydraulic Power Source

4. Using a calibrated flow and pressure gauge, check the output of the hydraulic power source. Ensure it matches the flow and pressure in "Specifications" on page 10. Hydraulic fluid must be 50°F or above. Preheat if necessary.
5. Ensure that the hydraulic power source is equipped with a relief valve set to open at the maximum relief pressure. See "Specifications" on page 10.
6. Wipe hose couplers with a clean, lint free cloth.
7. Connect the return hose to the tool port marked "Out".
8. Connect the pressure hose to the tool port marked "In".
9. Ensure couplers are undamaged, properly connected and are tight.
10. Power up the hydraulic power source.

### Using the Tool

### **CAUTION**

Always hold tool with both hands to maximize control. Apply proper down pressure and maintain proper footing at all times.

11. Wrap your hands around the handles. Stand in back of the tool, using your leg against the snap-on filler for stability.
- Note: Hold the tool correctly and be ready to counteract normal or sudden movements. Have both hands available.
12. Place the breaker bit on the material to be broken, at a 90° angle. Apply down pressure.
  13. Flip the trigger lock (CE models only).
  14. Slowly squeeze the trigger to start breaking. Squeeze harder for fast speed operation.
  15. When starting, break until the tool bit breaks through, then reposition the bit. Do not use the tool bit as a lever to move material.
- Note: Never cool a hot tool bit in water. Tools can become brittle and can fail.

16. Continue breaking around the original hole, in 2 inch sized bites.
  17. Release Trigger to stop the tool.
- Note: If you encounter a breakdown or the tool stops for any reason, release the trigger and power down the hydraulic power source.

## Tool Maintenance

### **WARNING**

Do not perform maintenance on the tool while the hydraulic power source is connected. Accidental engagement of the tool can cause serious injury. Disconnect the hydraulic power source before servicing.

#### Daily Maintenance

1. Remove hydraulic power from the tool and check all hydraulic connections and hoses for damage. Replace damaged parts before operating the tool.
2. Inspect the tool bit latch and associated parts. Replace when they have become worn, cracked or distorted.
3. Inspect tool to ensure all stickers are legible. Contact STANLEY if replacements are needed.
4. Check the flow and pressure of the hydraulic power source using a calibrated flow meter. Proper flow and pressure maintain proper tool speed. If tool speed increases or decreases, stop using the tool and ensure proper flow and pressure.

#### Check/Charge the Accumulator - Detail C

Check accumulator charge every 6 months or if poor performance develops.

#### Required Tools:

- STANLEY Accumulator Charge Kit (P/N 31254)
- Nitrogen Bottle

#### Check

1. Remove the charging plug from the breaker handle.
2. (a) Hold the chuck end of the tester and (b) twist the gauge counter-clockwise. This will retract the valve stem.
3. Screw the tester onto the breaker charging port.
4. Twist the tester gauge clockwise and read the pressure indicated on the gauge. Charge should be 500-700 PSI (34-48 BAR).

#### Charge

5. Retract the tester valve stem.
6. Connect the charging assembly hose to the tester.
7. Twist the tester gauge clockwise to advance the valve stem.
8. Slowly open the snub valve and charge to 600 PSI (42 BAR).
9. Close the snub valve, retract the tester valve stem and remove the tester from the breaker charging port. Replace the charging plug.

## Tool Storage & Transport

#### Storage

Plug open hydraulic ports. Clean the tool and store in a clean, dry space that is safe from damage.

#### Transport

Secure the tool to the transport vehicle. Lift only as high as necessary to load. NEVER lift or transport over people. Ensure tool is secured and will not move during transport. An unsecured tool could cause personal injury or damage to the tool.

## Tool Disposal

#### Hydraulic Oil

Hydraulic oil can contaminate the air, ground and water if not properly recycled. Recycle hydraulic oil in accordance with all State, Federal and local laws, at your local oil recycling facility.

#### Hydraulic Hoses

Hang hydraulic hoses to drain. Collect the oil for recycling. Contact your local

municipal recycling authorities for an approved hydraulic hose recycling site.

#### Tool Body

Drain hydraulic oil from the tool, making sure to collect the oil for recycling. Discharge the accumulator, disassemble the tool and dispose of all non-metal parts. Recycle the metal components. Contact your local municipal recycling authorities for recycling instructions.

Accessories	
Description	Part Number
<b>1 1/8 Inch Hex x 6 inch Shank</b>	
Moil Point, 14 Inch Long, UC	02333
Chisel Point, 14 Inch Long, UC	03990
3 Inch Chisel, 14 Inch Long, UC	02334
Clay Spade, 5 1/2 Inch Blade	02331
Asphalt Wedge, 12 Inch	08106
Asphalt Cutter, 5 Inch Wide	02332
Ground Rod Driver, 1 Inch Rod	04176
<b>1 1/4 Inch Hex x 6 Inch Shank</b>	
Moil Point, 14 Inch Long, UC	02336
3 Inch Chisel, 14 Inch Long, UC	02337
Clay Spade, 5 1/2 Inch Blade	09262
Asphalt Cutter, 5 Inch Wide	02335
Ground Rod Driver, 1 Inch Rod	04367
Heavy Duty Chisel, 1 Inch	02338
Heavy Duty Moil Point, 18 Inch	04404
Clay Spade, 8 Inch	04405
Detachable Shank (Requires 17783)	17782
Tamping Pad, 6 Inch (Requires 17782)	17783

## Troubleshooting

Problem	Possible Cause	Solution
Tool does not run or runs improperly.	The hydraulic power source is not running or not running properly.	Ensure the power source is delivering proper flow and pressure. See "Specifications" on page 10. Proper flow and pressure maintain proper tool speed. Check regularly.
	Couplers or hoses are blocked.	Turn off and disconnect the tool from the hydraulic power source. Ensure no blockage exists.
	Low accumulator charge.	Check and recharge accumulator if necessary. See "Check/Charge the Accumulator - Detail C" on page 11.
	Hydraulic fluid is too hot.	Provide a cooler to maintain proper temperature. See "Specifications" on page 10.
	High back pressure.	Check the hydraulic system for excessive back pressure.
	Mechanical failure of piston or automatic valve.	Contact your STANLEY dealer for service.
Fluid leakage on tool bit.	Lower piston seal failure.	Contact your STANLEY dealer for service.
Fluid leakage around the tool trigger.	Valve spool failure.	Contact your STANLEY dealer for service.







# STANLEY®

STANLEY Infrastructure  
6430 SE Lake Road, Portland, Oregon 97222 USA  
(503) 659-5660 / Fax (503) 652-1780  
[www.stanleyinfrastructure.com](http://www.stanleyinfrastructure.com)