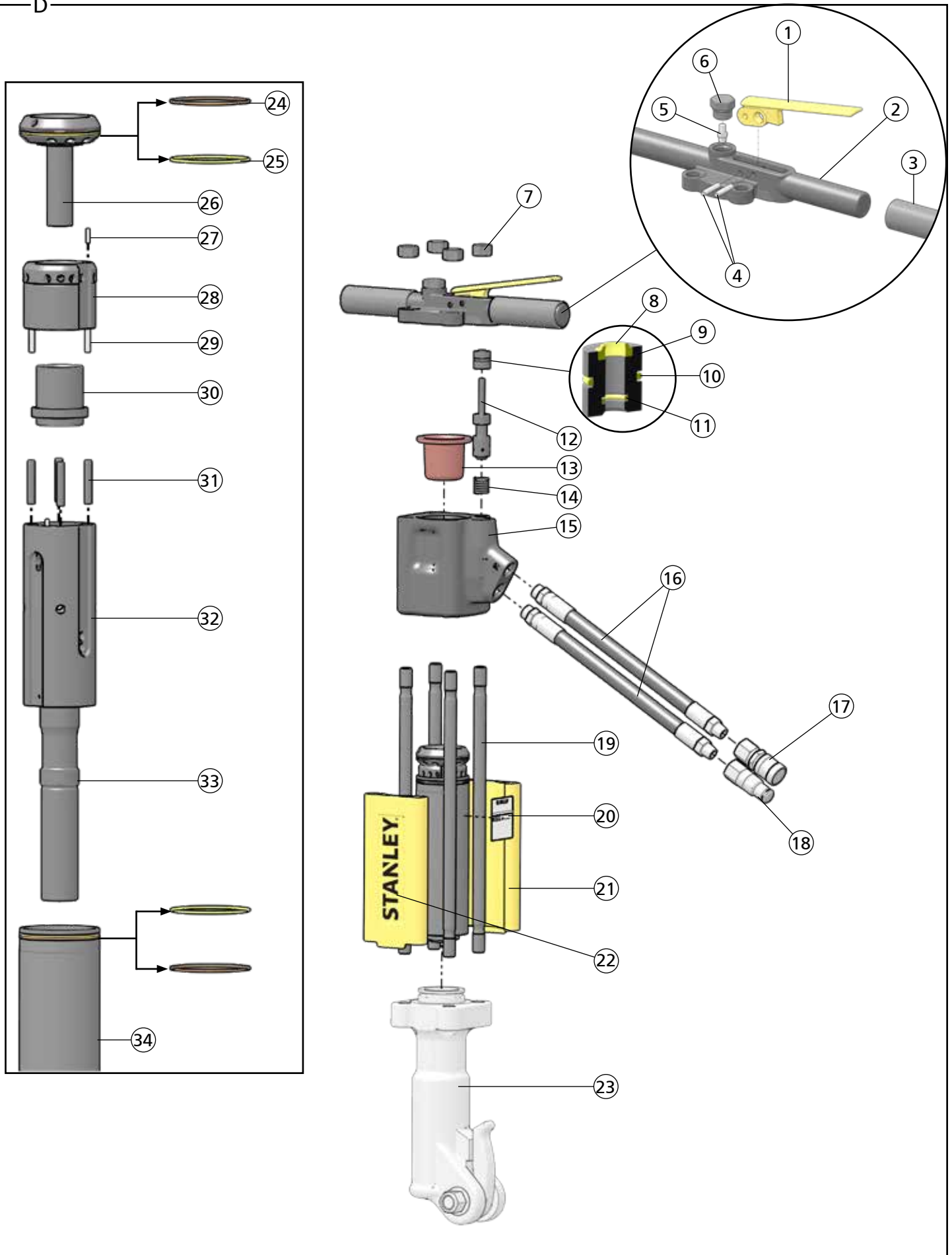
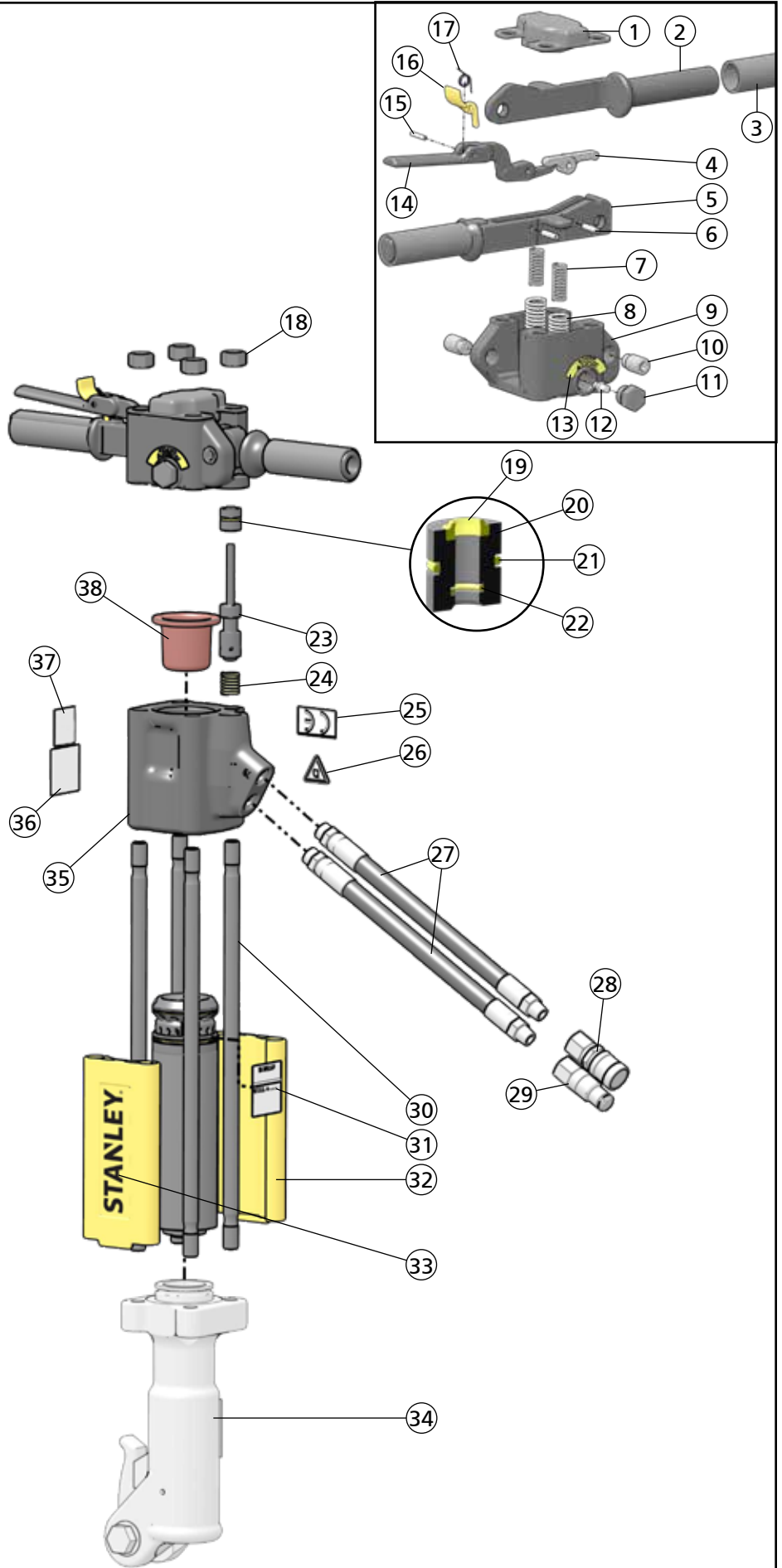
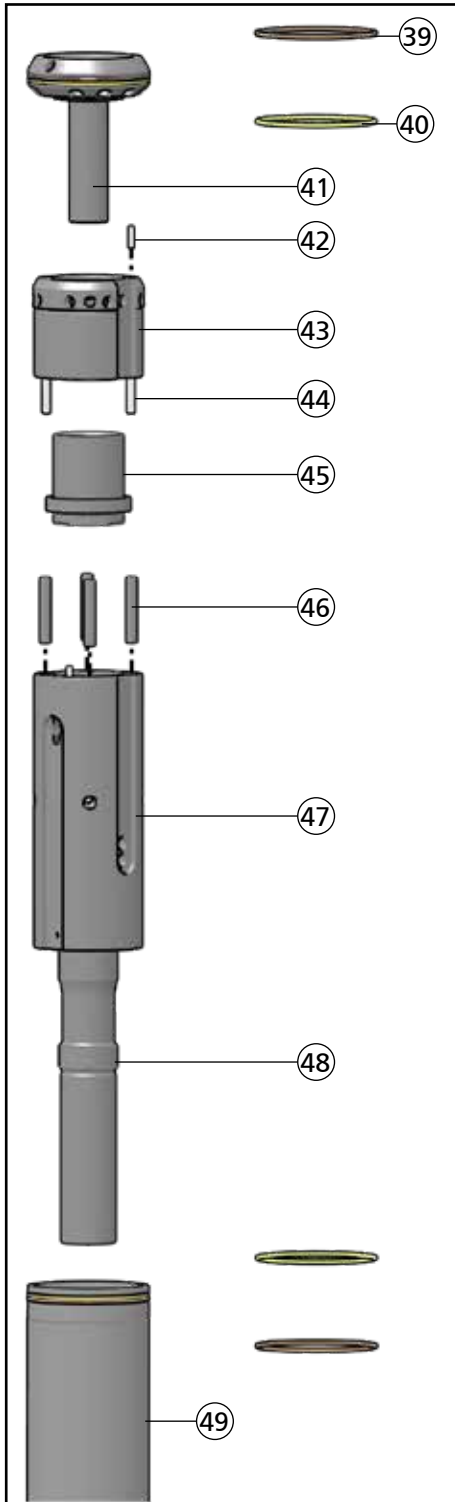
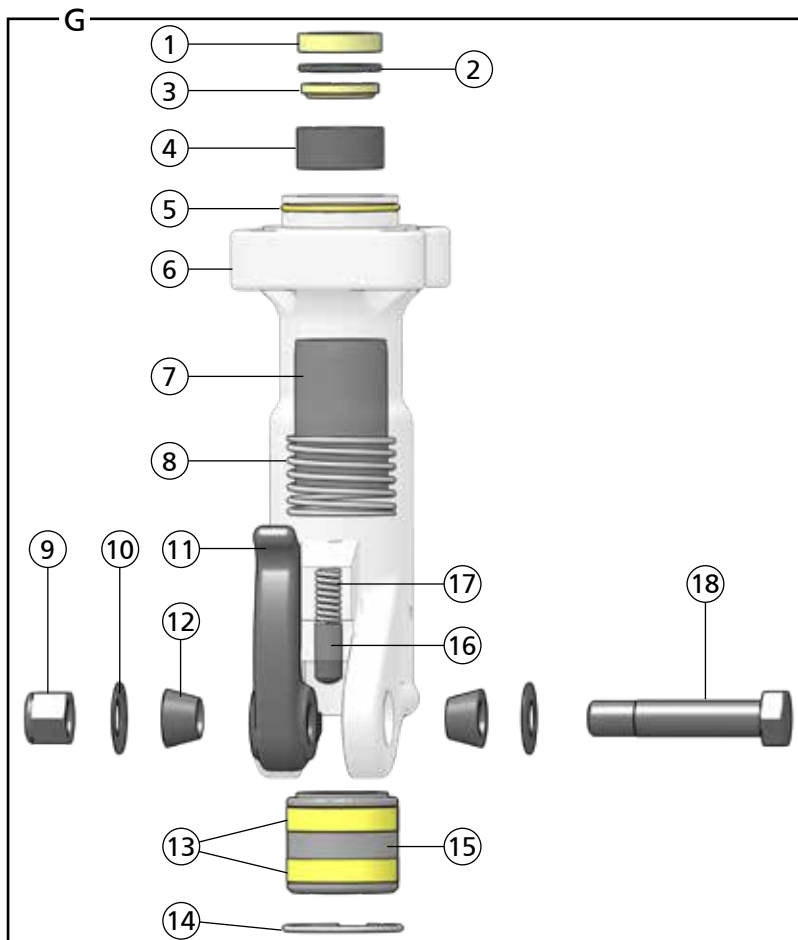
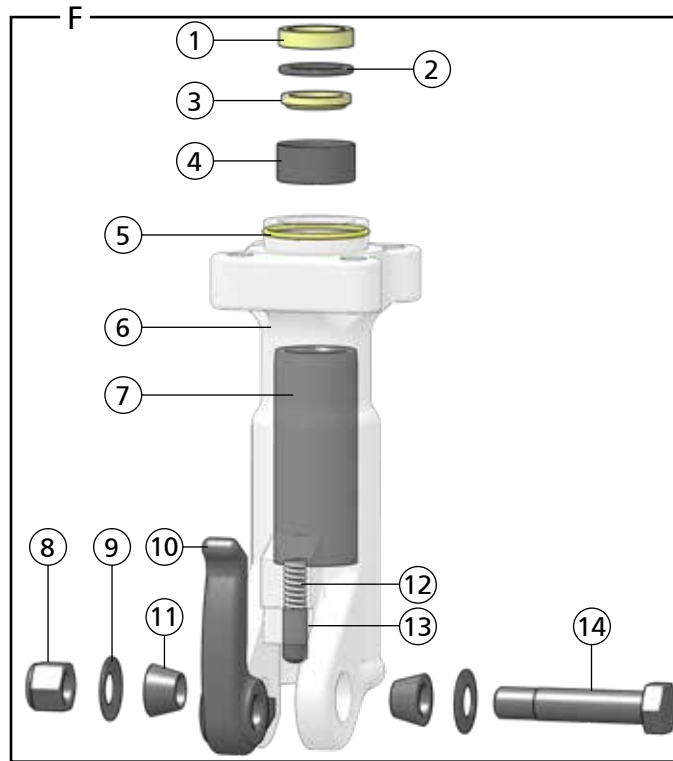


D



E





T-Handle Parts Illustration - Detail D		
ITEM	P/N	DESCRIPTION
1	04371	Trigger
2	07483	Handle
3	02494	Grip
4	07492	Roll Pin
5	20499	Charge Valve
6	07493	O-ring Plug
7	04374	Hex Nut
8	04056	Rod Wiper*
9	04057	Bushing
10	00293	O-ring*
11	01362	O-ring*
12	04077	Valve Spool
13	07479	Accumulator Diaphragm
14	04058	Spring
15	11588	Accumulator Valve Block
16	01652	Hose Whip
17	03972	Female Coupler
18	03973	Male Coupler
19	04373	Side Rod
20	74662	Tool Name Tag
21	72919	Snap-on Filler
22	74832	STANLEY Logo Decal
23	Depends on Model	Breaker Foot, see detail F & G
24	04381	Backup Ring*
25	04379	O-ring*
26	09640	Porting Block
27	02900	Roll Pin
28	07480	Automatic Valve Body
29	04571	Push Pin
30	04382	Automatic Valve
31	04605	Push Pin
32	09611	Flow Sleeve
33	19443	Piston
34	04383	Flow Sleeve Tube
35	13552	Seal Kit (Not Shown) - * In Seal Kit

Anti-Vibration Parts Illustration - Detail E		
ITEM	P/N	DESCRIPTION
11	07493	O-ring Plug
12	20499	Charge Valve
13	10180	Caution: Nitrogen Gas Under Pressure Decal
14	58526	Trigger
15	07624	Roll Pin
16	58527	Trigger Lock
17	66828	Spring
18	04374	Hex Nut
19	04056	Rod Wiper*
20	04057	Bushing
21	00293	O-ring*
22	01362	O-ring*
23	20515	Valve Spool
24	04058	Spring
25	28322	CE Decal
26	11207	Circuit Type "D" Decal
	11206	Circuit Type "C" Decal - Models BR5057801 & BR5057801AA
27	01652	Hose Whip
28	03972	Female Coupler
29	03973	Male Coupler
30	20517	Side Rod
31	74661	Tool Name Tag
	74665	Tool Name Tag - Model BR5057801
32	72919	Snap-on Filler
33	74832	STANLEY Logo Decal
34	Depends on Model	Breaker Foot, see Detail F & G
35	11588	Accumulator Valve Block
36	28409	Composite Safety Decal
37	66654	Sound Power Decal
38	07479	Accumulator Diaphragm
39	04381	Backup Ring*
40	04379	O-ring*
41	09640	Porting Block
42	02900	Roll Pin
43	07480	Automatic Valve Body
44	04571	Push Pin
45	04382	Automatic Valve
46	04605	Push Pin
47	09611	Flow Sleeve
48	19443	Piston
	58597	Piston - Model BR5057801 & BR5057801AA
49	04383	Flow Sleeve Tube
50	13552	Seal Kit (Not Shown) - * In Seal Kit

Anti-Vibration Parts Illustration - Detail E		
ITEM	P/N	DESCRIPTION
1	28494	Top Plate
2	28369	Handle
3	02494	Grip
4	20511	Lever
5	58529	Trigger Handle
6	20500	Roll Pin
7	20541	Spring
8	20540	Spring
9	20505	Handle Pivot Block
10	20508	Pivot Screw

Breaker Foot Assembly - Detail F						
ITEM	DESCRIPTION	QTY	MODEL			
			BR50120	BR50125	BR50130	BR50135
1	Symmetrical Seal*	1	34092			
2	Backup Washer	1	09642			
3	Rod Wiper*	1	03127			
4	Insert	1	09643			
5	O-ring*	1	02022			
6	Breaker Foot	1	32275			
7	Hex Bushing	1	04081		04597	
8	Hex Nut	1	04984			
9	Washer	2	04985			
10	Latch	1	01837			
11	Taper Sleeve	2	01269			
12	Spring	1	01744			
13	Detent	1	08411			
14	Foot Latch Bolt	1	04983			

Breaker Foot Assembly - Detail G							
ITEM	DESCRIPTION	QTY	MODEL				
			BR50120E	BR50130E	BR5017801AA	BR5057801	BR5057801AA
1	Symmetrical Seal*	1	34092				
2	Backup Washer	1	09642				
3	Rod Wiper*	1	03127				
4	Insert	1	09643				
5	O-ring*	1	02022				
6	Breaker Foot	1	08157		11636		
7	Hex Bushing	1	07517	07518	11230		
8	Spring	1	08158				
9	Hex Nut	1	04984				
10	Washer	2	04985				
11	Latch	1	01837				
12	Taper Sleeve	2	01269				
13	Wear Ring	2	07516				
14	Retaining Ring	1	07522				
15	Collar Support	1	07519	07520	12013		
16	Detent	1	08411				
17	Spring	1	01744				
18	Foot Latch Bolt	1	04983				