
LS310

USER'S MANUAL

LS310 RFID Cabinet Lock



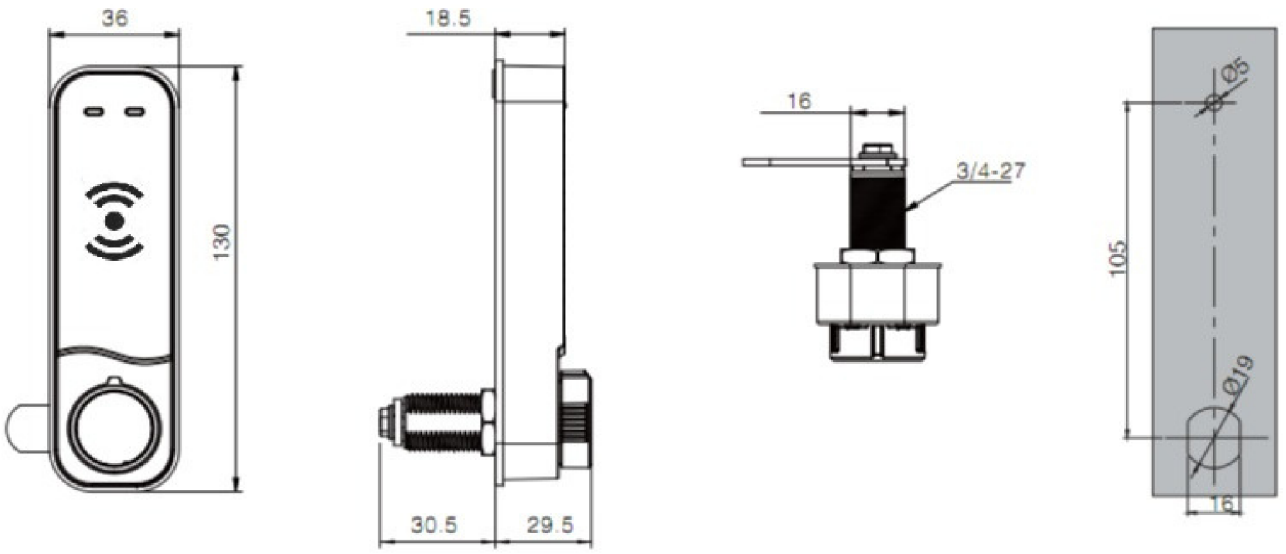
TECHNICAL DATA

Material	Zinc alloy
Input Voltage	DC3V
Battery	2 X AAA alkaline batteries
Service life	30,000 locking cycles
Static Power	≤35uA
Dynamic Power	≤200mA
Use condition:	temperature: -15
Humidity:	
IP Rate	°C~60°C; 5%~95%IP55

FEATURES

Operating on 13.65MHz Mifare
All Metal body
Three level of management
Horizontal & Vertical Models
Master Key for Emergency Opening
Colour Options: Black or Silver
Suitable for metal, wood and trespassdoors

TECHNICAL DRAWING



Operation Instructions

Overview

Three types of cards are required to operate the RFID LOCK.

Main-Admin card

The Main-Admin card is required only when programming and deprogramming Admin cards.

The Main-Admin card has no locking function.

Admin card

The Admin card regulates the management of the user cards **The Admin card has an emergency locking function.**

User card

The User card is made available to users so that they can open and close the door

Only the keycard has a locking function.

Quick Programming Cards

Read-In the following cards to the lock:

"Main Admin Card" -"Admin card" -"User Card"

The blue light flash 3 times and 1 beep, set up successfully.
(The cards are read validly during blue light flash, if red light flash, it read invalid)

NOTES:

If you need more admin card and user cards for a lock, please follow up the below programming methods.

Programming a [Main-AdminCard](#):

- Read Main-Admincard 1~2seconds.(bluelight blinking) setup successfully.

Programming an [Admin Card](#):

- Read the Main-Admin card for 1~2 seconds (blue light flash 3 times and 1 beep), and remove the card. Then read the Admin card for 1~2 seconds. (blue light flashes 3 times and 1 beep), remove the card
- Repeat this procedure for all Admin cards that you'd like to programme(max.8cards).
- After that, read the main-Admincard once again 1~2seconds (bluelight flashes 3 times and 1 beep), remove the card; release the procedure, set up successfully.

Programming a [User Card](#):

-Read the Admin card for 1~2 seconds (blue light flash 3 times and 1 beep), remove the card

Then read the User card to be programmed in front of the lock for 1~2 seconds. (blue light flash 3 times and 1 beep), remove the card

Repeat this procedure for all user cards that you'd like to programme (each admin card program max. 8 cards).

- After that, read the Admin card once again for 1~2 seconds

(blue light flash 3 times and 1 beep), remove the card; release the procedure, set up successfully.

Emergency opening

Solution A: Read any Admin card directly to unlock

Solution B: Remove the cover on the lock surface and insert the the master key to unlock.

NOTE

Visual & Audio Indication	Light	Beep
Power On	Red/blue Light Flash 3 times	/
Correct Operation	blue Light Flash 3 times	1 beep
Error Operation	Red Light Flash 2 times	2 beep
Program Successfully	blue Light Flash 3 times	1 long beep
Delete Successfully	Red Light Flash 3 times	1 long beep
Resetting Indication	Red Light Flash 4 times	4 beep
Voltage lower alarm	Red Light Flash and Light out when unlocking	5 beep