

A horizontal teal brushstroke with a textured, painterly appearance, serving as a background for the product name.

LS300

USER'S MANUAL

LS300

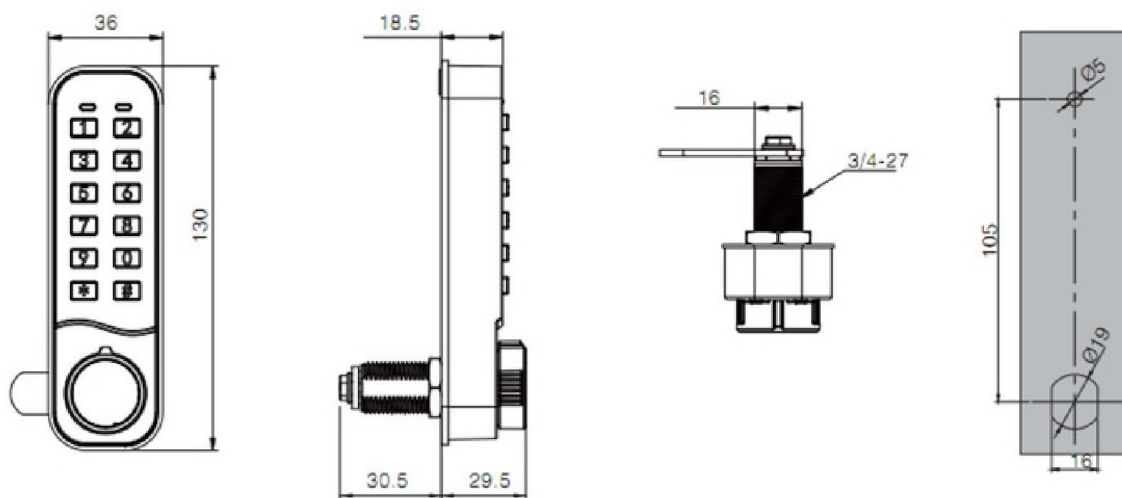
Keypad Cabinet Lock



FEATURES

Metal LockSwitch between Private and Public Horizontal & Vertical
Modelsmode easily
Different Color-options (available Easy to install
upon request)Rector fit existing Punch Hole
Easy to set / Change Code(19 x 16.1mm mechanical locks) Master
Key for Emergency Meets IP55 rating
Open i n g

TECHNICAL DRAWING



L = 20mm or 30mm

Instructions

The lock has a 10 button keypad , a button and a # button.

The lock has three code levels that allow you to perform the following actions:

- Master code(8 digit code)
- Sub-master code(8 digit code)
- User code(4 digit code)

Default Settings

Master code = 20050330 (8 digit code)

User code =1111 (4 digit code)

Private Mode

Functions

Before programming, select the most appropriate function for the application:

A)PrivateMode

or

A)Public Mode

Private Mode

Note: this is the default function and is already pre-programmed into each lock. This is the most common mode and is used where the same code will be repeatedly used.

To set to Private Mode: * --Master code --#--07--#

Example: * -20050330 --#--07--#

Result: The lock will revert back to default Private Mode, factory set user code 1111 will now work until reprogrammed.

Public Mode

This function is used for short term, multi user applications. The code is only used one time

To set to Public Mode: * --Master code --#--06--#

Result: the lock will now remain open until next user enters their own code into the lock as follow:

Step 1: enter new user code --Close the locker which will now be locked

Step 2: enter user code--The lock will now remain open until next 4 digit code is entered

Setup

New locks operate with the default user and master codes. A new user and master code must be programmed to prevent the default codes from operating the lock and reducing lock security.

Master Code Functions:

1) Open:

Enter master code

(The user code will be deleted when using the master code when the lock is in public mode)

2) Programming Master Code

Press *--current master code --#--01--#---new master code --#--new master code--#

Example: *--20050330--#---12345678--#--12345678--#

Result: Master code has been changed to 12345678

3) Set or change the sub-master Code

Press *--master code---#--04---new sub-master code---#

4) Delete sub-master code

Press *--Master code---#-05--#

5) Set or change the User Code (Private Mode)

Press * --master code --#--02---new user code --#

Example: *--20050330--#-02 --1234--#

Result: New user code 1234 now operative

6) Delete User code (Private Mode)

Press *--Master code--#--03--#

7) Set or change the Technician code (Public Mode)

Press *--Master code--#--08--#--new technician code--

Note: the technician code must be 6 digit code

8) Delete the Technician code (Public Mode)

Press *--Master code--#--09--#

9) Activate/Deactivate the Auto-unlock Function (Public Mode)

Activate: Press *--Master code--#--11--#

Deactivate: Press *--Master code--#--12--#

10) Set Auto-open time (Public Mode)

Press *--Master code--#--10--#--XX--#

Example: Press *--20050330#--10#-02#, the door unlock in 2 hours later Note: until the door locked, the lock begins to count and unlock 2 two hours later and the "xx" is from 01 to 12

Sub-Master Code Functions:

1) Open

Enter sub-master code

(The user code will be deleted when using sub-master code when the lock is in public mode)

2) Change the Sub-master Code

Press *---current sub-master code ---# ---04---#--new sub-master code --#

3) Set/Change the User Code (Private Mode)

Press--*---current sub-master code ---#---02--#--new user code ---#

User Code Function:

Private Mode

•Open: Enter user code

2) Change the User Code

Press *--current user code --#--new user code---#

Public Mode

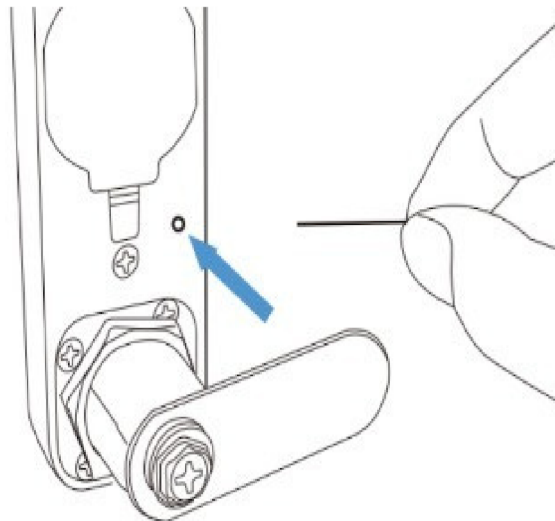
•Set code: enter any 4 digit code

•Open: Enter user code

Note: The 4 digit code is one time valid only. The door keep open until another one set a new code

Initialize

* ---99--#-Press the reset button by a clip/pin from the back hole Lock resets to default settings



Additional Functions

Occupied Status Indicator (Public Mode) –deactivated by default

When activated the green light will flash every 6 seconds to indicate the locker is in use

Activate: Press *--Master code--#--13--#

Deactivate: Press *--Master code--#--14--#

Password protection –deactivated by default

Entering incorrect codes 5 times will cause the lock to shutdown for 5 minutes

Automatically locked in Private Mode

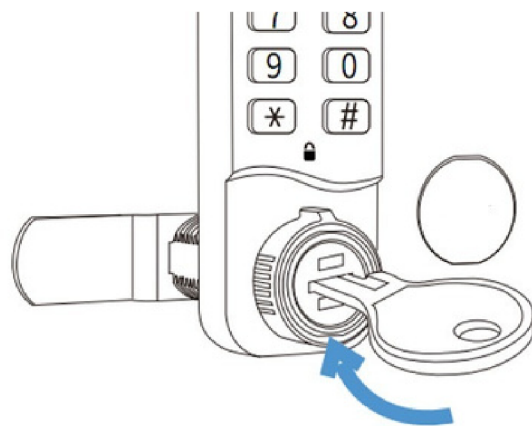
The PCB will be lock 4 seconds after being opened

Emergency Opening

--Remove the cover plate with a magnet

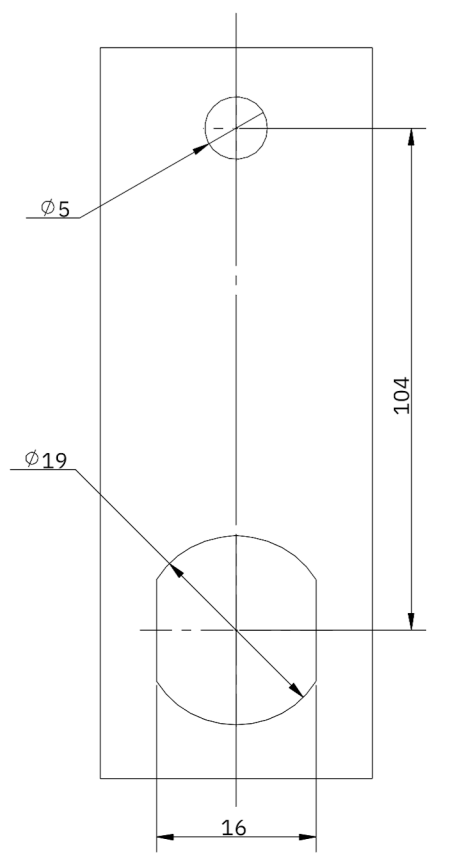
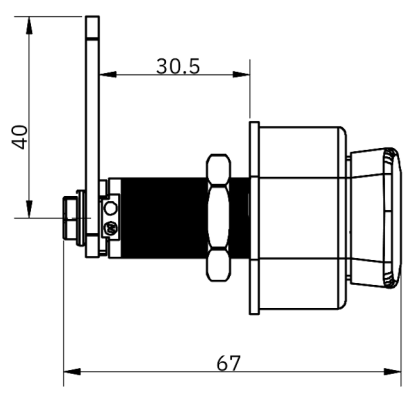
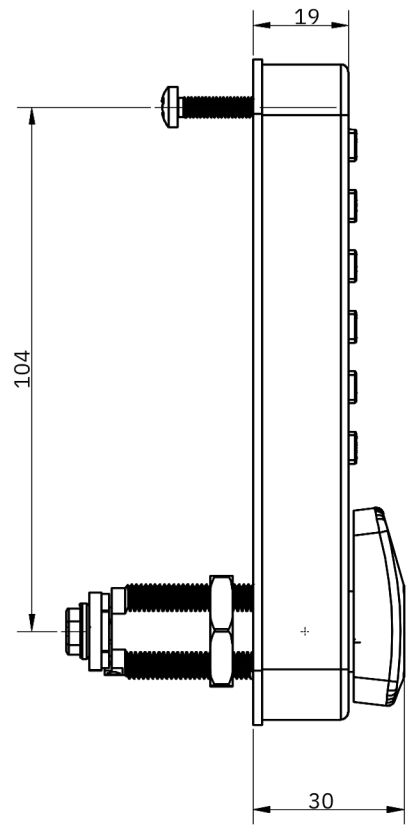
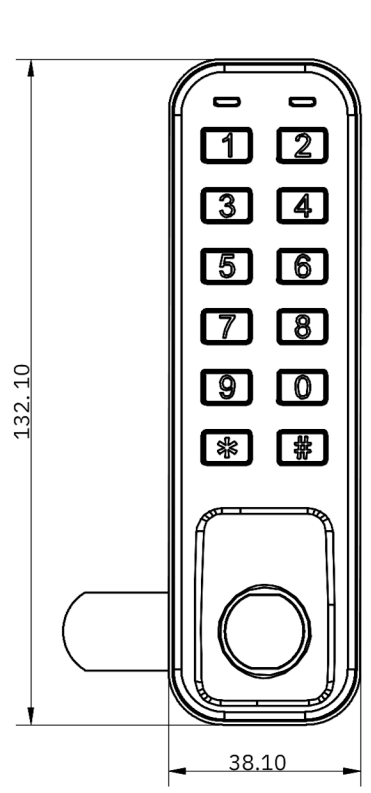
--Master key for emergency opening.

The existing code will be retained by the lock when using the Master Key Over-ride



Low power alarm Function

Alarm will sound if the battery power is low (5 beeps, red light flashes 3 times before blue light flashes once) informing users to replace the batteries.



UNIT m
 SIZE
 SCALE
 WEIGHT g
 SHEET 10
 REV 0
 1/1
 8