

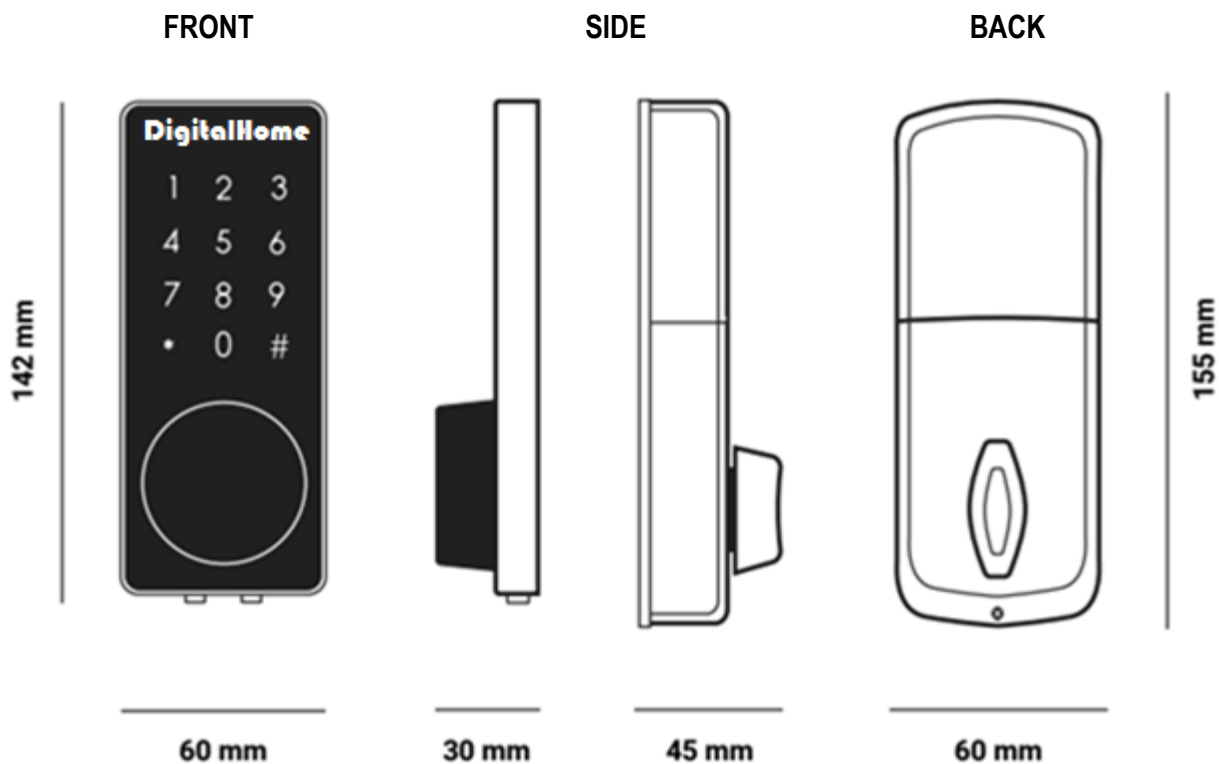
Installation Guide

Smart Deadbolt

Lock

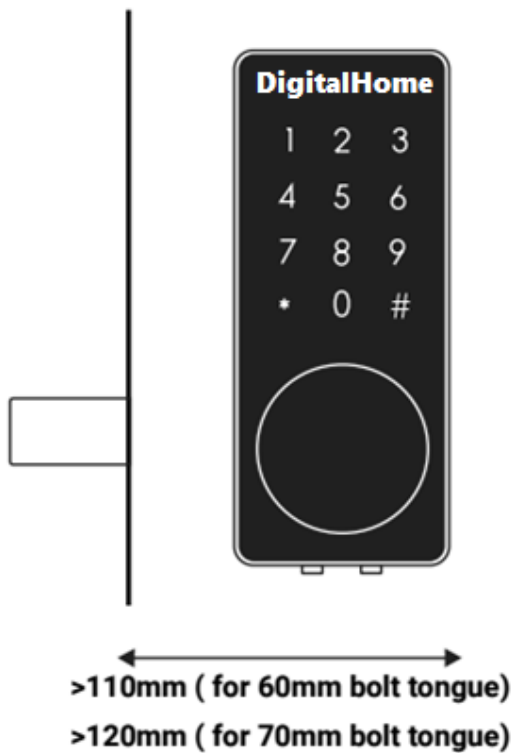
Specifications

Model	DigitalHome Smart Doorlock
Material	Zinc Alloy
Current Rating (Standby)	~30uA
Current Rating (Active)	~200mA
Batteries	4 x AA Alkaline (Non - Rechargeable)
Unlock Mechanism	Bluetooth, PIN code, Keys

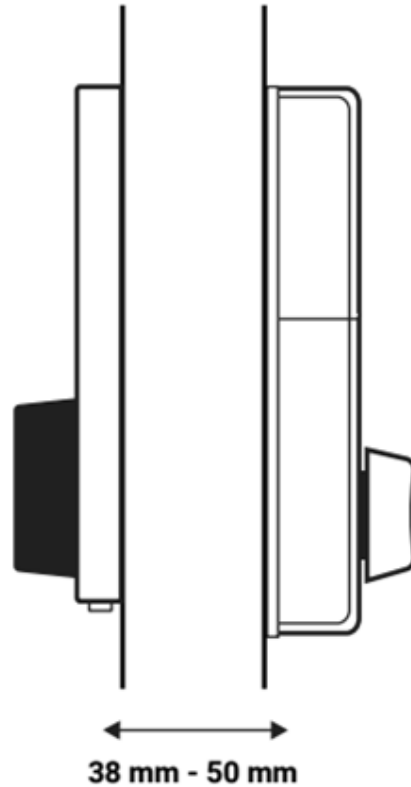


Requirements

Clearance from Door Edge



Door Thickness



Door and door frame material: Wood (Recommended)

Gap between door and door frame: <3mm (Recommended)

*Please ensure that there is an existing handle on your door for push - pull access

* Not for: metal gates, glass doors or sliding doors. If you are unsure if your door is suitable, send us web links to your door pictures to support@digitalhome.ph

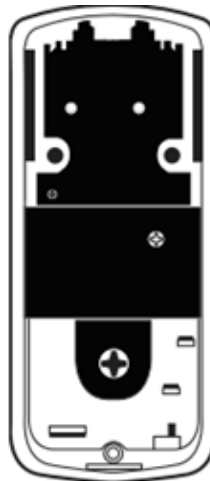
What's Included



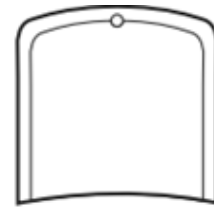
Front Assembly



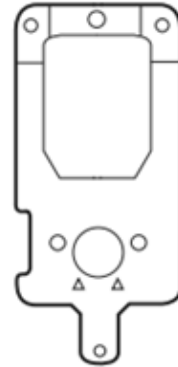
Rubber Gasket



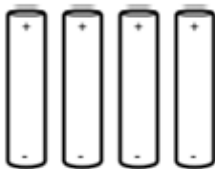
Back Assembly



Battery Case Lid



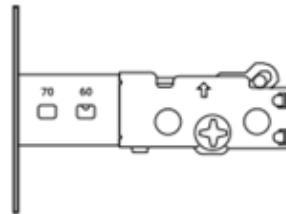
Back Plate



AA Batteries



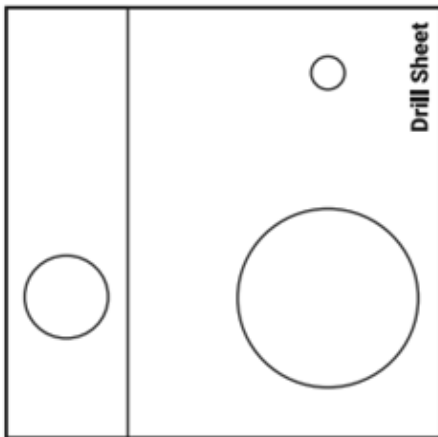
Keys



Bolt Assembly



Strike Plate



Drill Sheet



5 mm
Bolt Screw



25 mm
Wood Screw



22 mm
Bolt Screw



40 mm
Bolt Screw

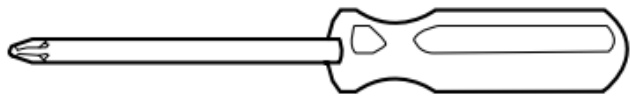


Screw
Holder

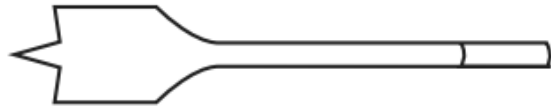


Strike Plate
Housing

Recommended Tools



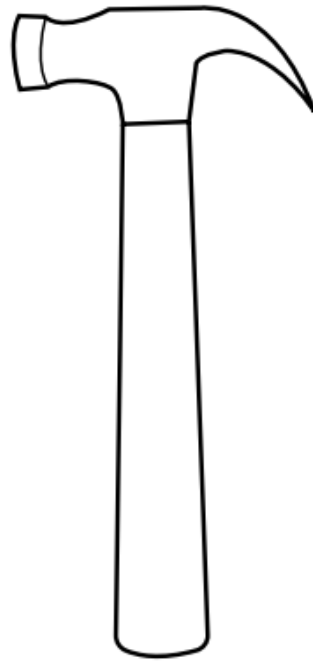
#2 Phillips Screw Driver



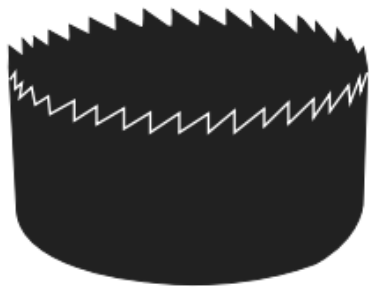
25mm Spade Bit



Chisel



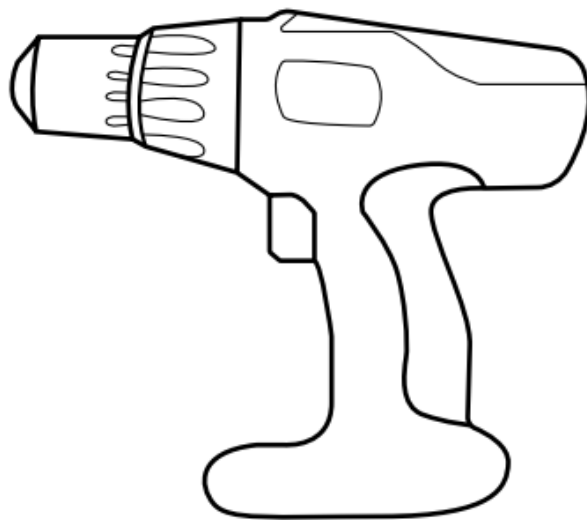
Hammer



54 mm Hole Saw

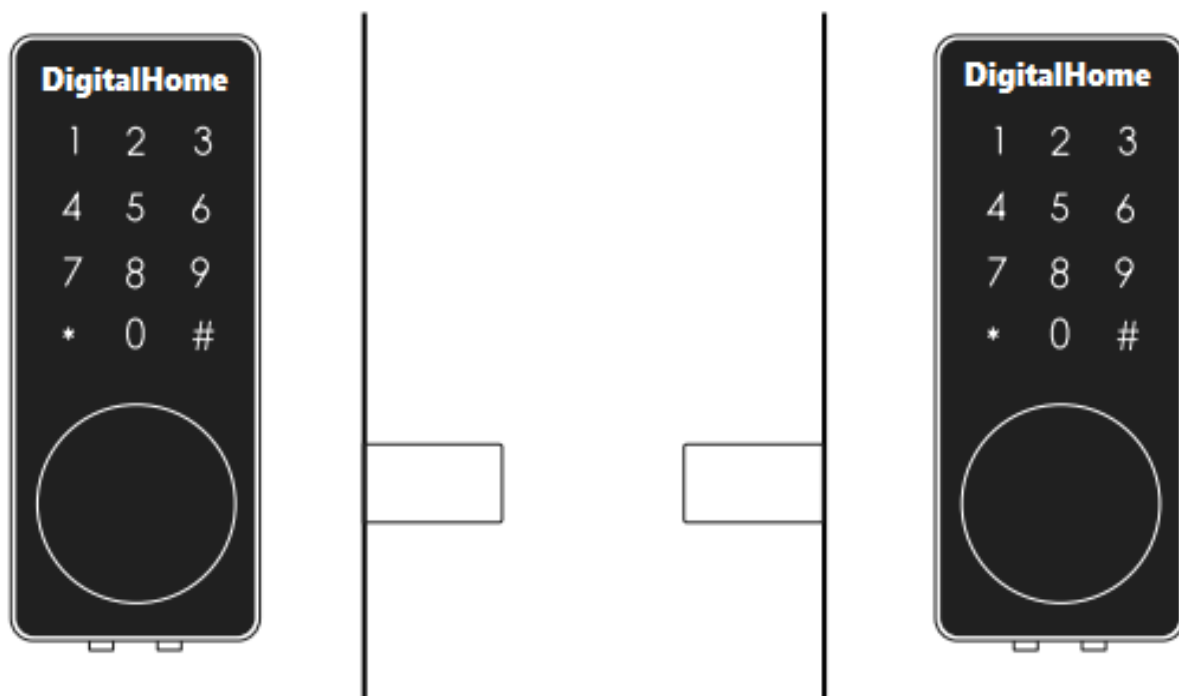


10 mm Drill Bit



Drill

Installation Type



a. Right installation

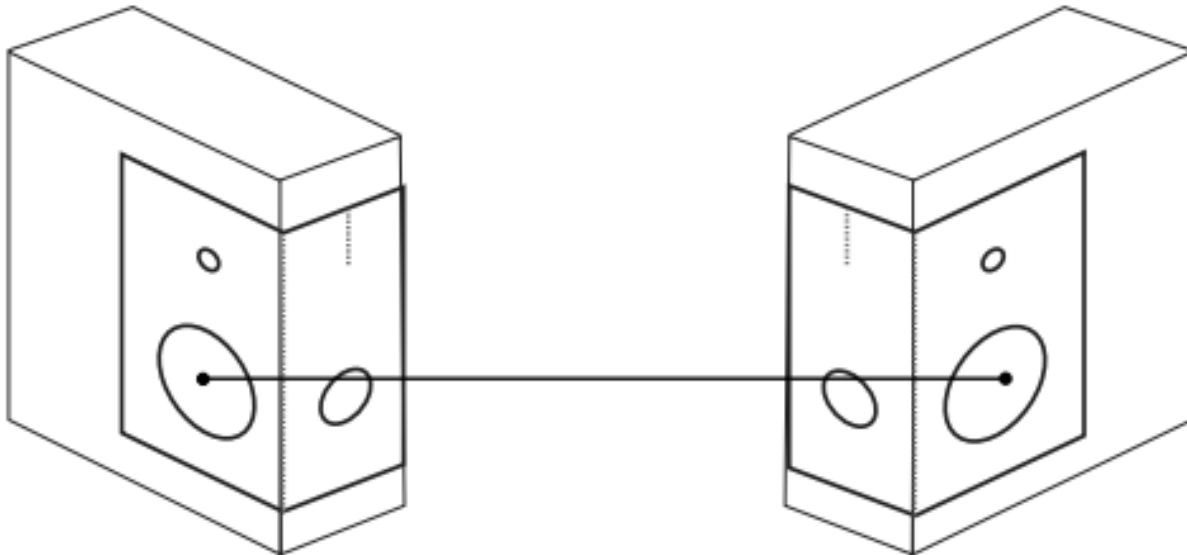
b. Left installation

Drill holes on door (For new installation)

1. For new doors or doors without existing deadbolt lock, you will need to drill holes in your door to mount your deadbolt. Use measurements provided on the Drill Sheet to drill holes in the door.

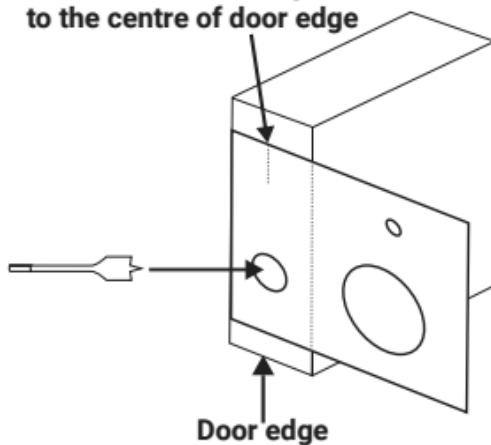
Left installation

Right installation

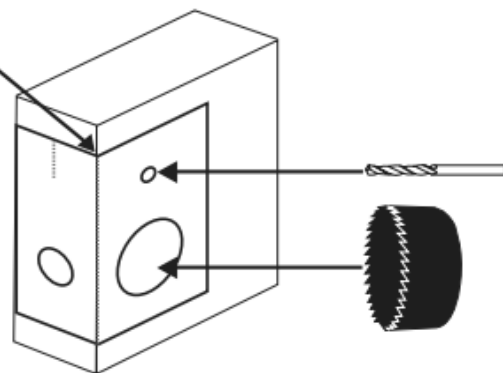


Determine height of door to install.

Make sure this is aligned to the centre of door edge



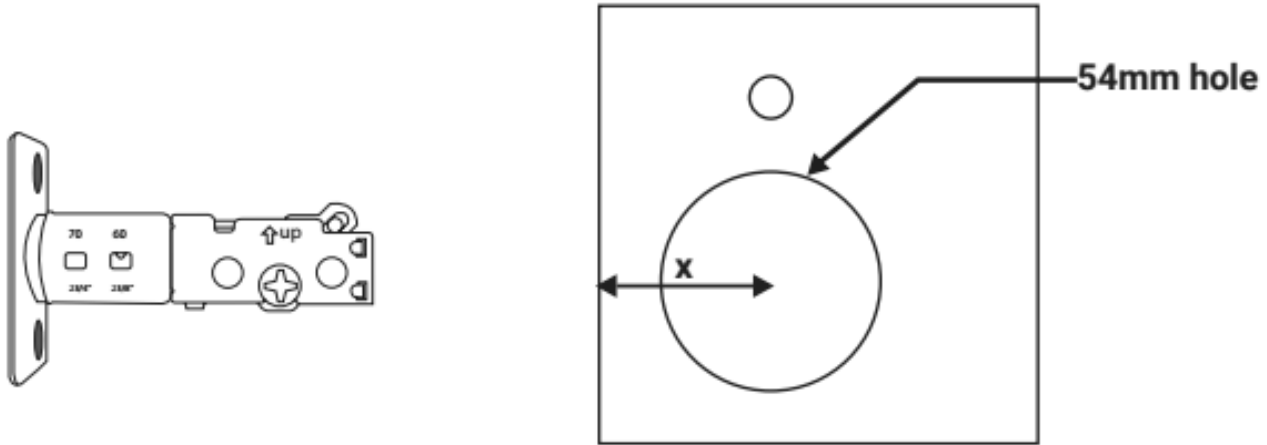
Fold here



* Mark the center of the holes and then drill for accuracy.

Insert bolt assembly

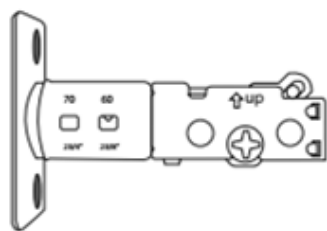
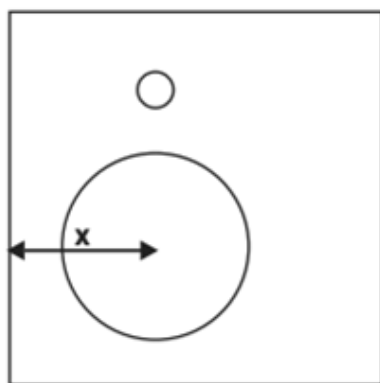
1. If you are replacing your current deadbolt lock, industry standards are 60mm or 70mm backset. To determine which backset length you should use, so measure the distance (x) between the center of 54mm hole to door edge.



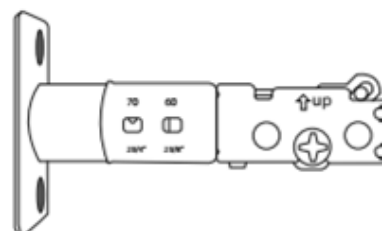
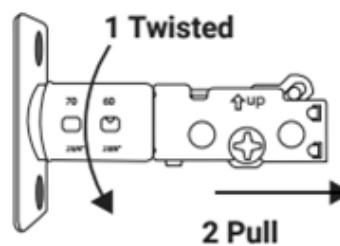
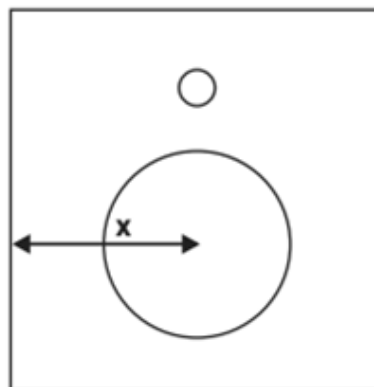
2. Prepare bolt assembly based on the distance (x)

Bolt ships with bolt assembly in 60mm position. If required, twist the bolt and pull to extend (simultaneously) to 70mm backset position (current drill dimensions are fitted for 60mm position).

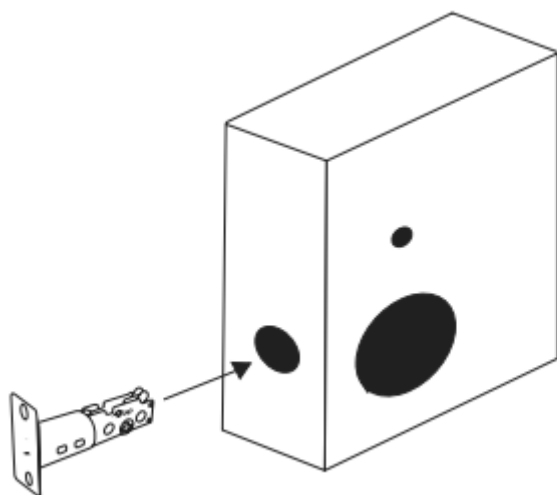
60mm position



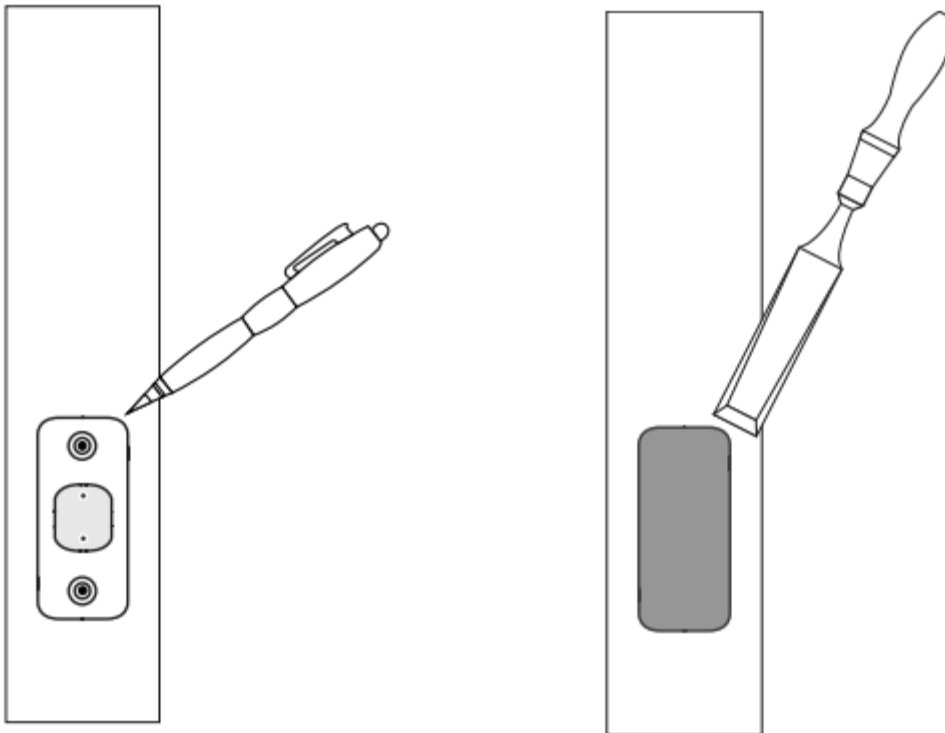
70mm position



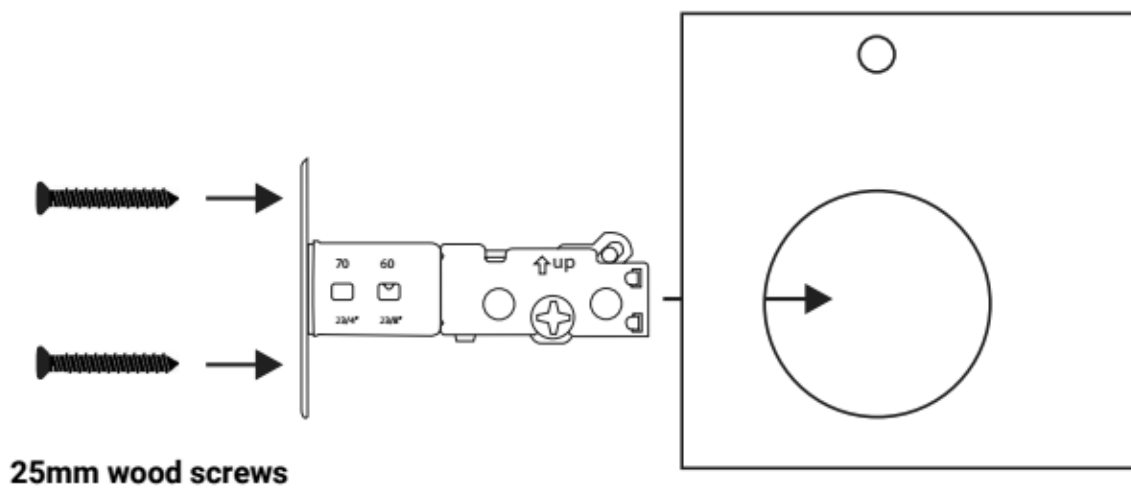
3. Insert bolt assembly.



4. Mark around the plate of the bolt tongue and chisel about 2mm or until bolt tongue plate is flush with the door.



5. Secure the bolt assembly onto door using 2 x 25mm wood screws.

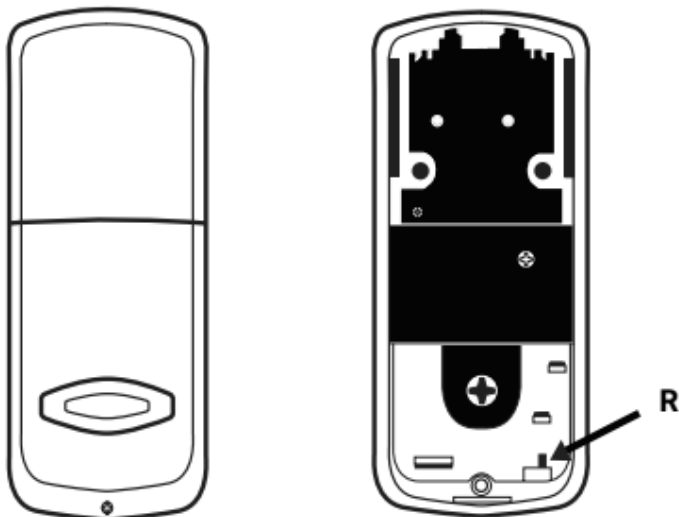


Prepare lock and parts

1. Set Back Assembly

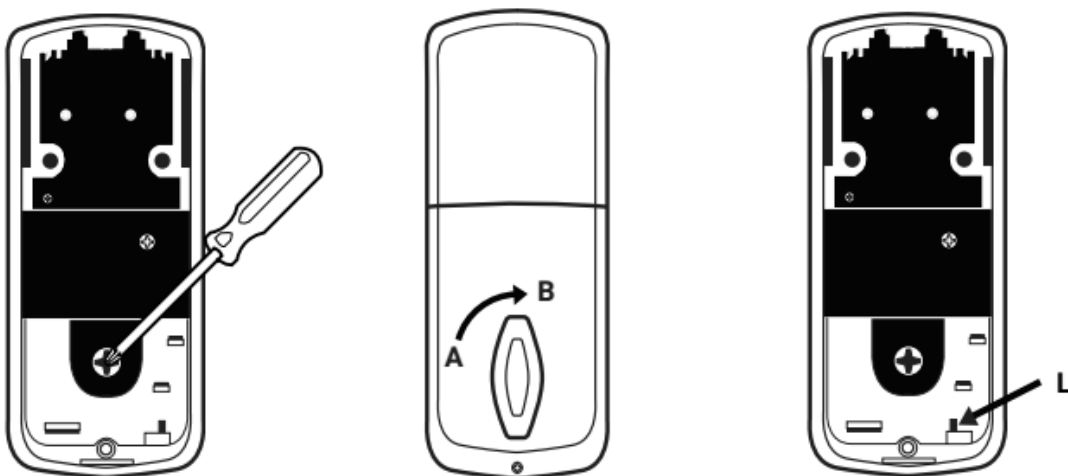
a. Right installation (Refer to page 6 for installation type)

To install the lock for right-side installation (i.e. bolt locks to the right from outside the door), ensure the toggle button on the back assembly is set to R.



b. Left installation (Refer to page 6 for installation type)

To install the lock for left-side installation (i.e. bolt locks to the left from outside the door), ensure the toggle button on the back assembly is set to L.



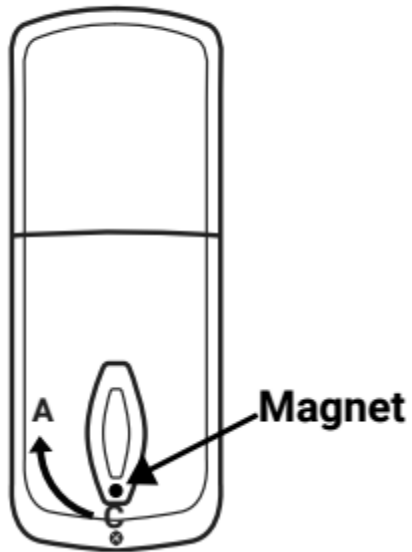
Unscrew the small screw in order to turn thumbturn.

Adjust thumbturn to ensure that the magnet below the thumbturn is moving from

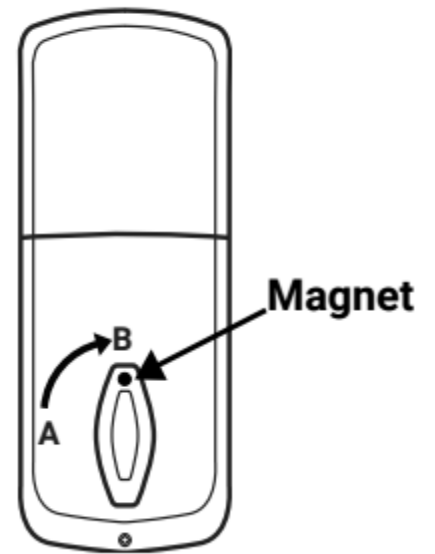
Tighten the small screw. Shift toggle to L position.

2. Check that the thumb turn has been set correctly. It should turn in the following orientation.

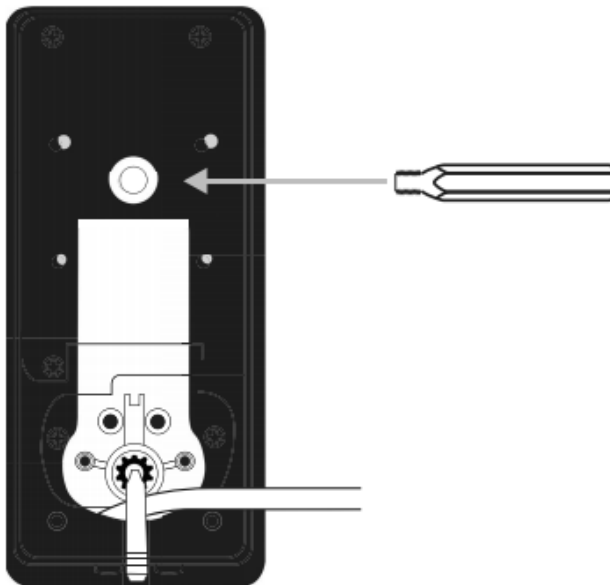
Right installation



Left installation



3. Screw on Screw Holder into the 10mm hole on the Front Assembly



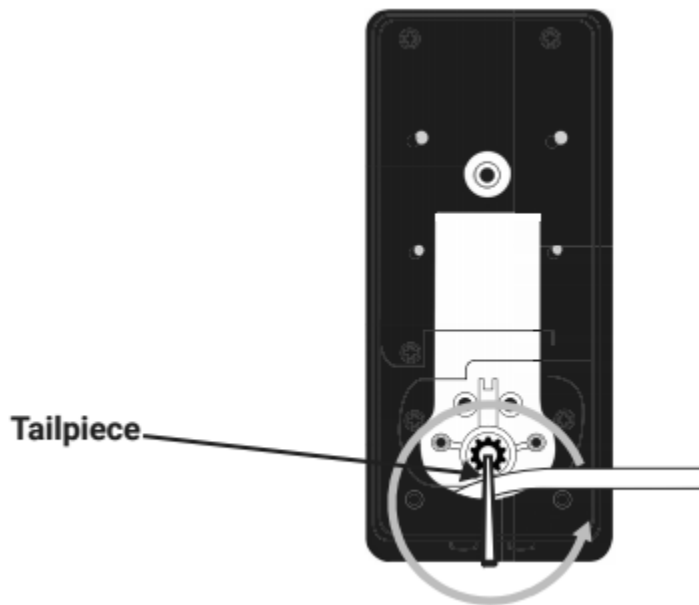
Mount lock

1. Set Tailpiece on the Front Assembly according to the following alignment.

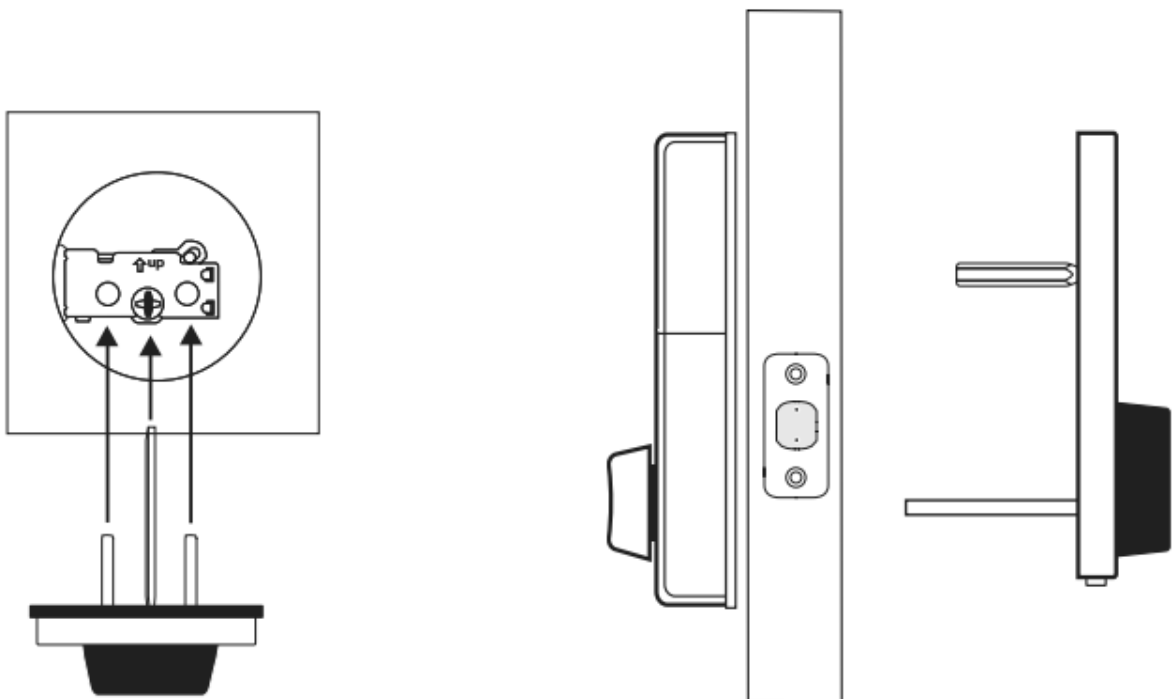
2. Fit Front Assembly (with Rubber Gasket attached) through the 54mm hole and 10mm hole. Ensure that the tailpiece slots through the bolt assembly according to the previously set alignment.

a. Left installation

The tailpiece must be turned anti-clockwise all the way until it is in the vertical position. Slot it vertically through the Bolt Assembly

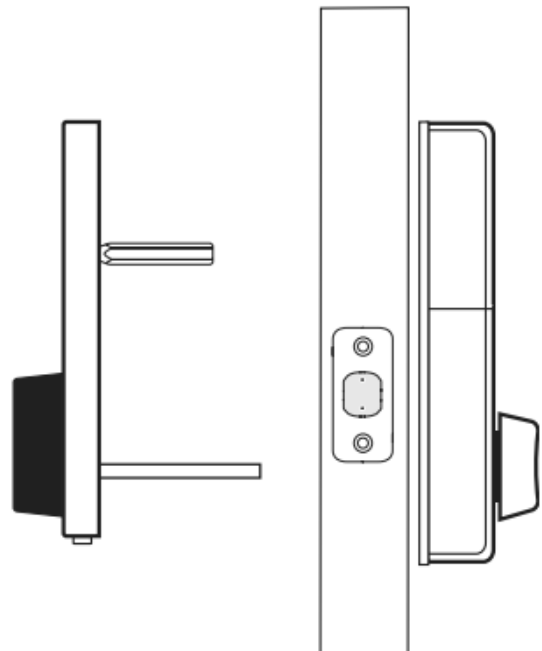
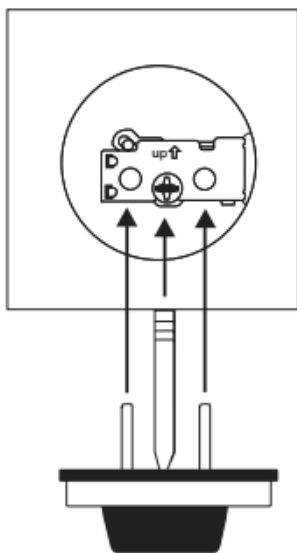
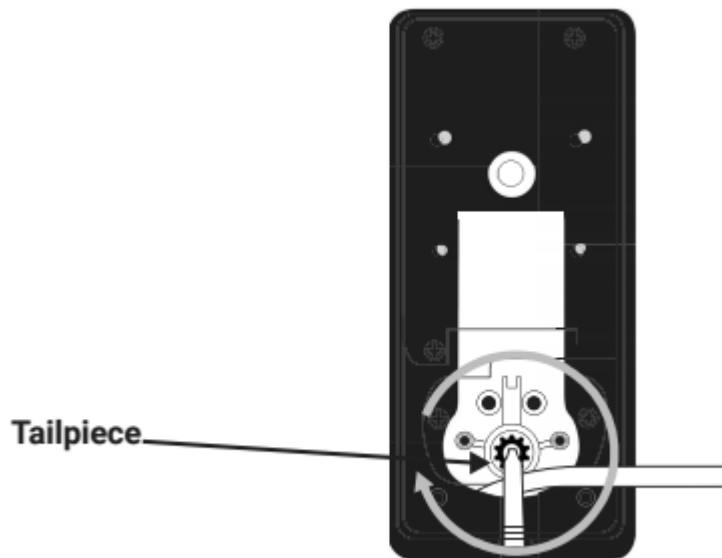


b. Left installation



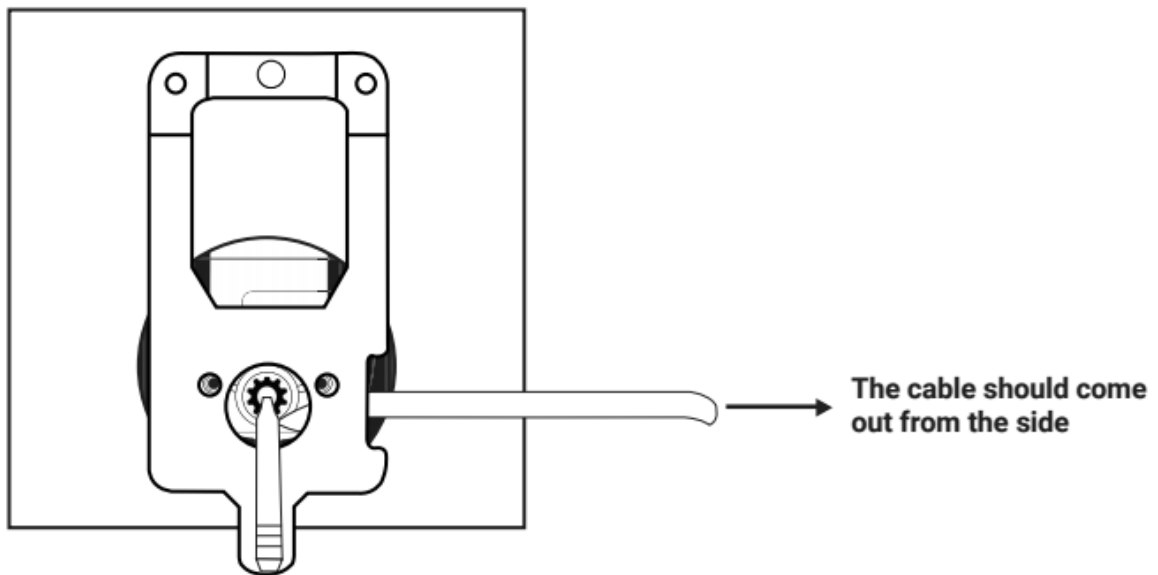
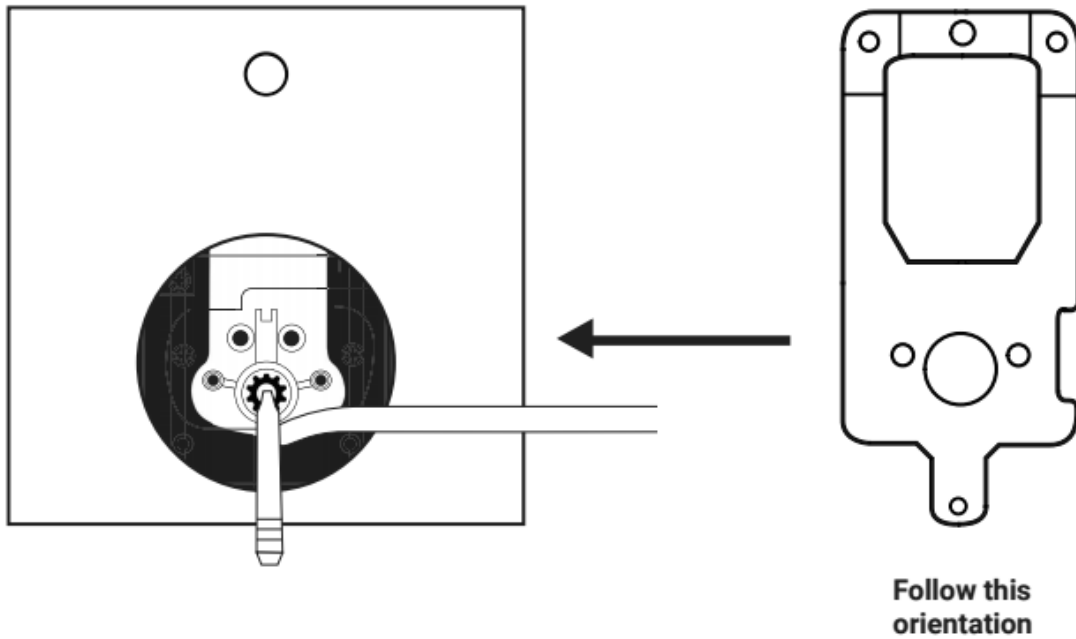
a. Right installation

The tailpiece must be turned clockwise all the way until it is in the horizontal position. Slot it horizontally through the Bolt Assembly

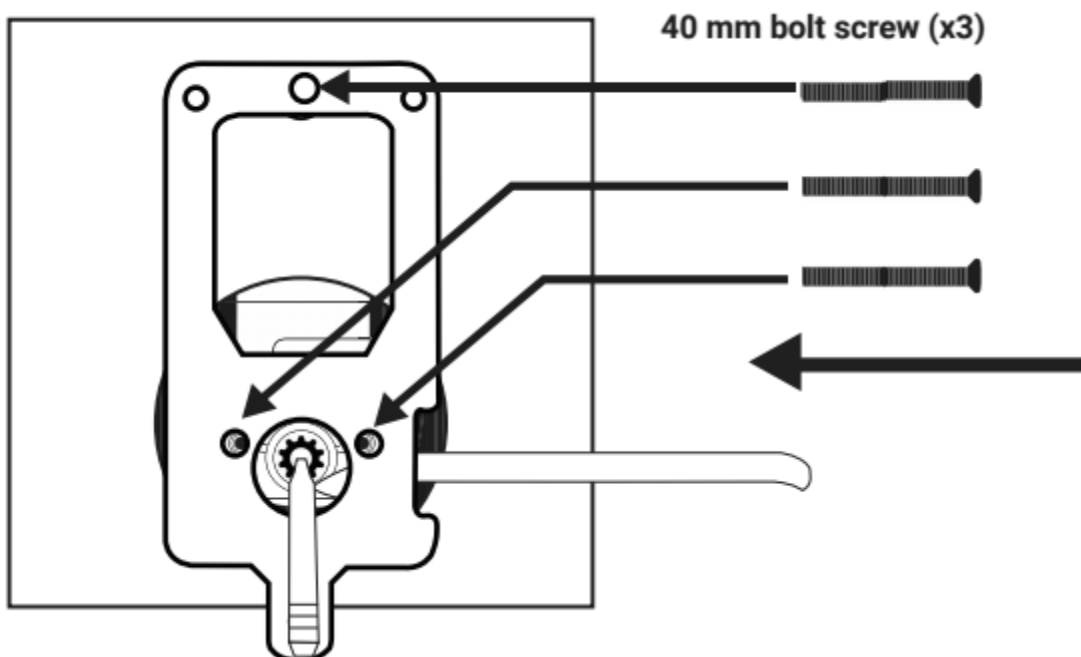


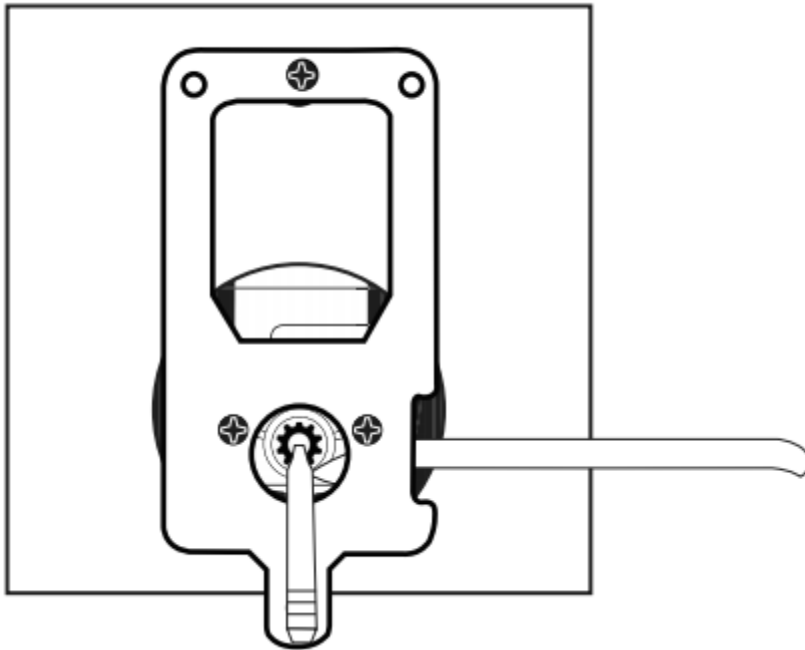
3. Secure the Front Assembly using the Back Plate.

To do this, place the Back Plate (ensuring the correct side placement), and screw it to the Front Assembly using the three 40mm bolt screws

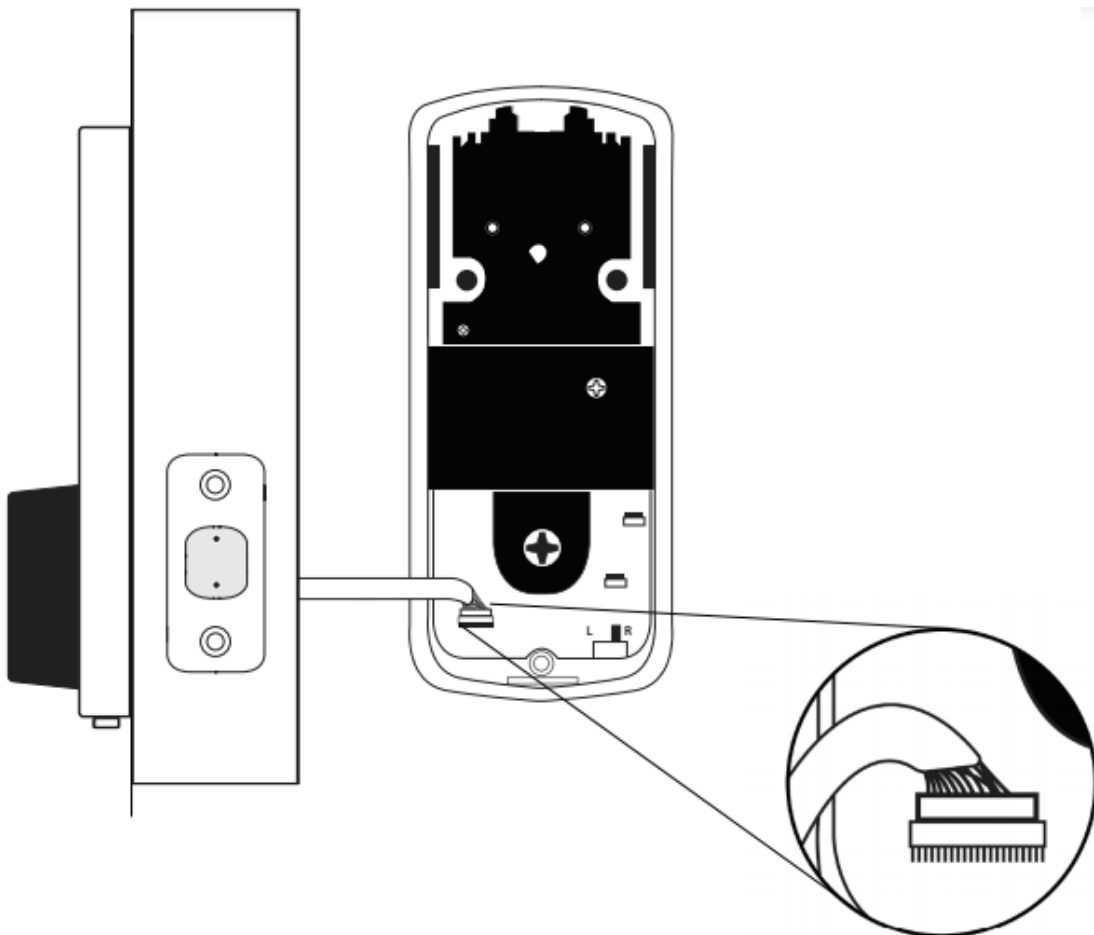


4. Fit Back Assembly over the Back Plate, aligning the three holes (two under the Battery Cradle, and one at the bottom of the Back Assembly) to the Back Plate



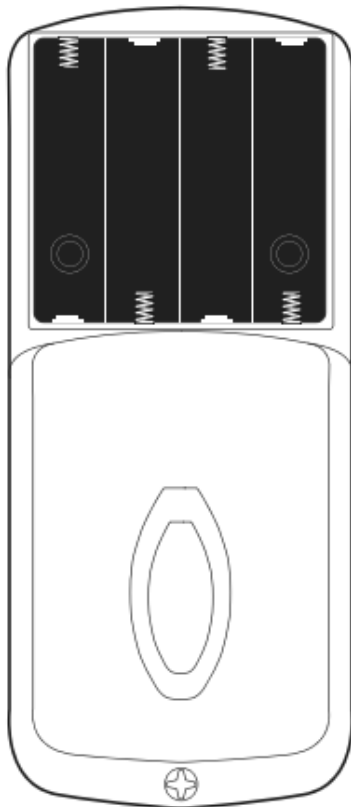


5. Connect wire connector from Front Assembly through 54mm hole to Back Assembly. Make sure that the wire is installed properly and securely.

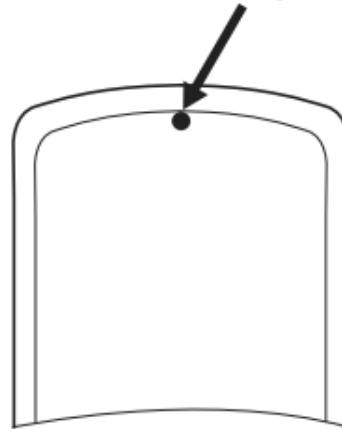




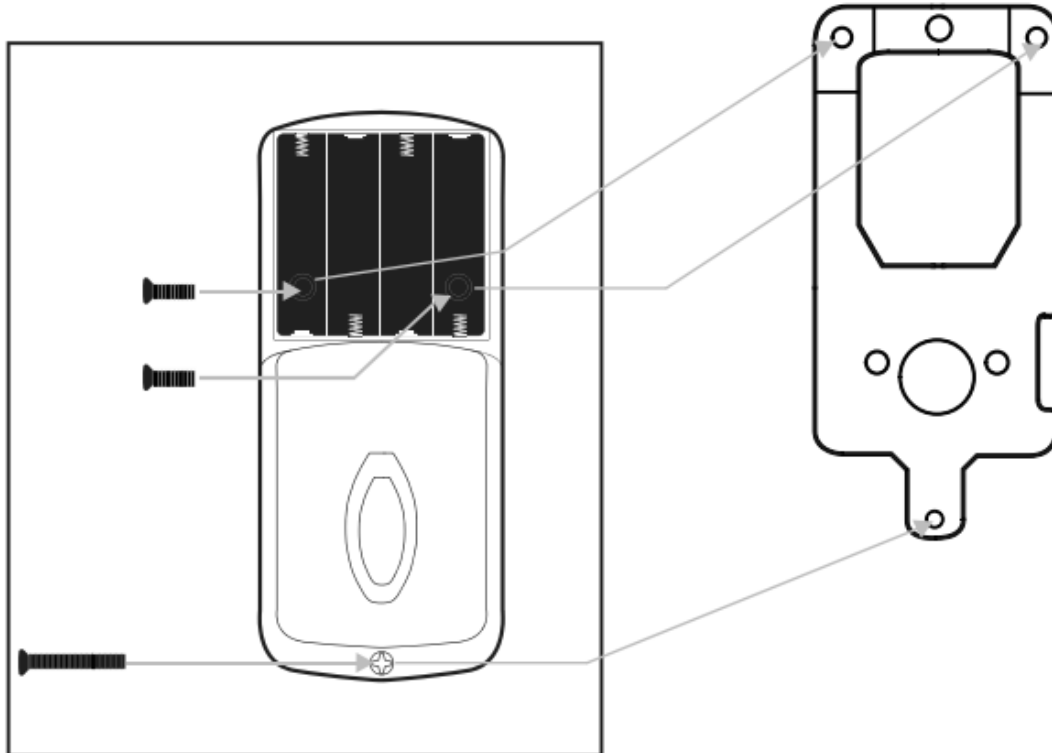
6. Remove the Battery Case Lid



Use a sharp object to depress pin and pull battery case upwards.



7. Secure the two holes under the battery casing with 2 x 5mm bolt screws and the bottom with 22mm bolt screw

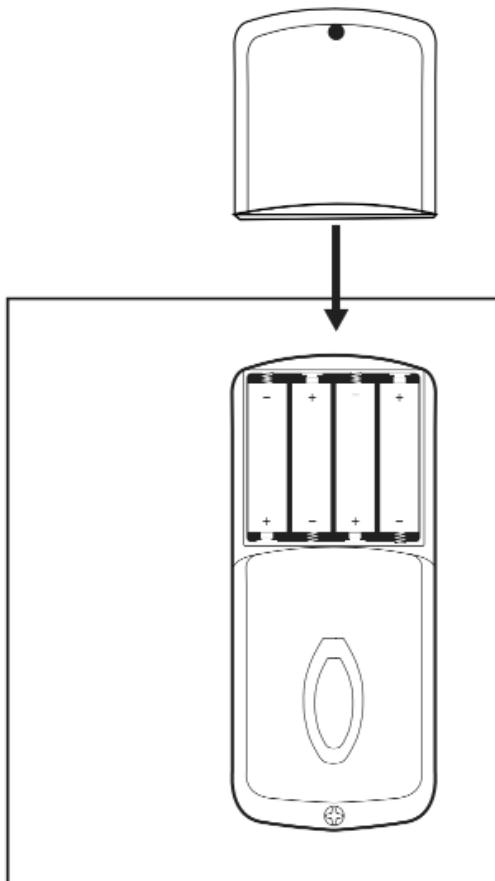


Align holes on back assembly to back plate and screw in.

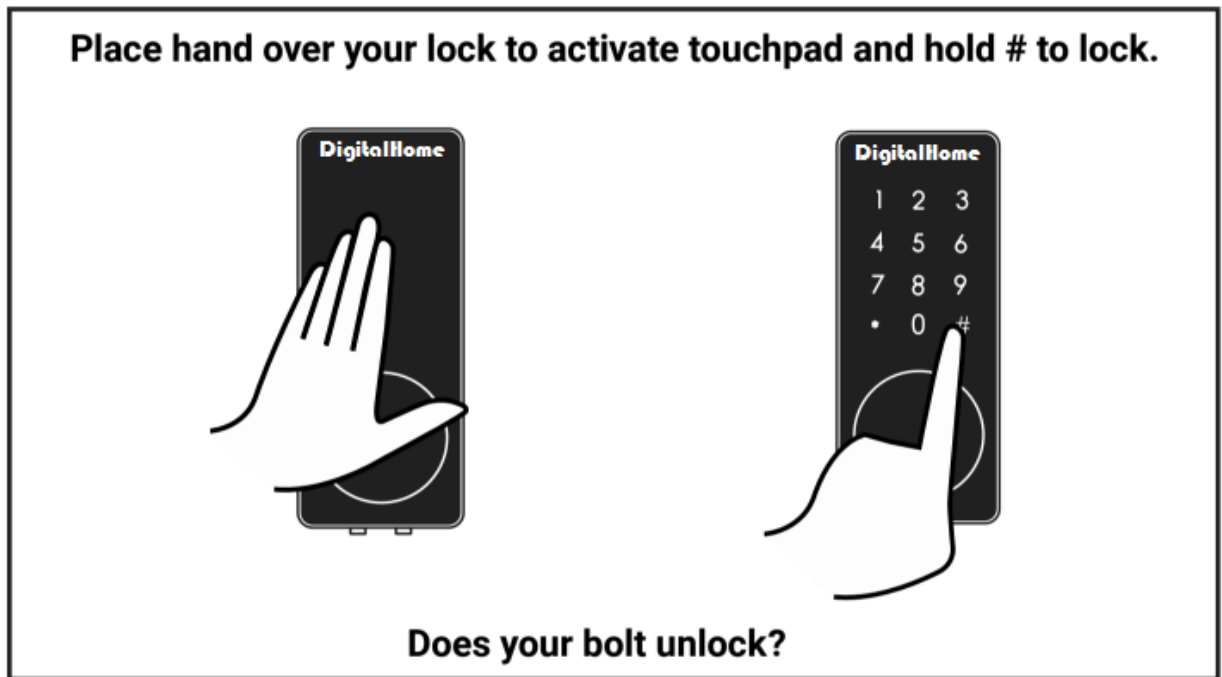
*** Make sure this is turned to 'unlock' position.**

*** For right installation, turn thumbturn clockwise before mounting and for left installation, turn thumbturn anti-clockwise before mounting.**

8. Make sure 4 x AA Batteries are inserted correctly before closing the Battery Case Lid



Test lock



Yes

Congrats!
Lock is correctly installed.
Proceed to next steps.

No

Bummer!
Does bolt tongue slide out
when you turn the thumbturn?

Yes

Left-Right toggle incorrectly set.

Troubleshoot: Try setting the left-right toggle on your back assembly to the correct side



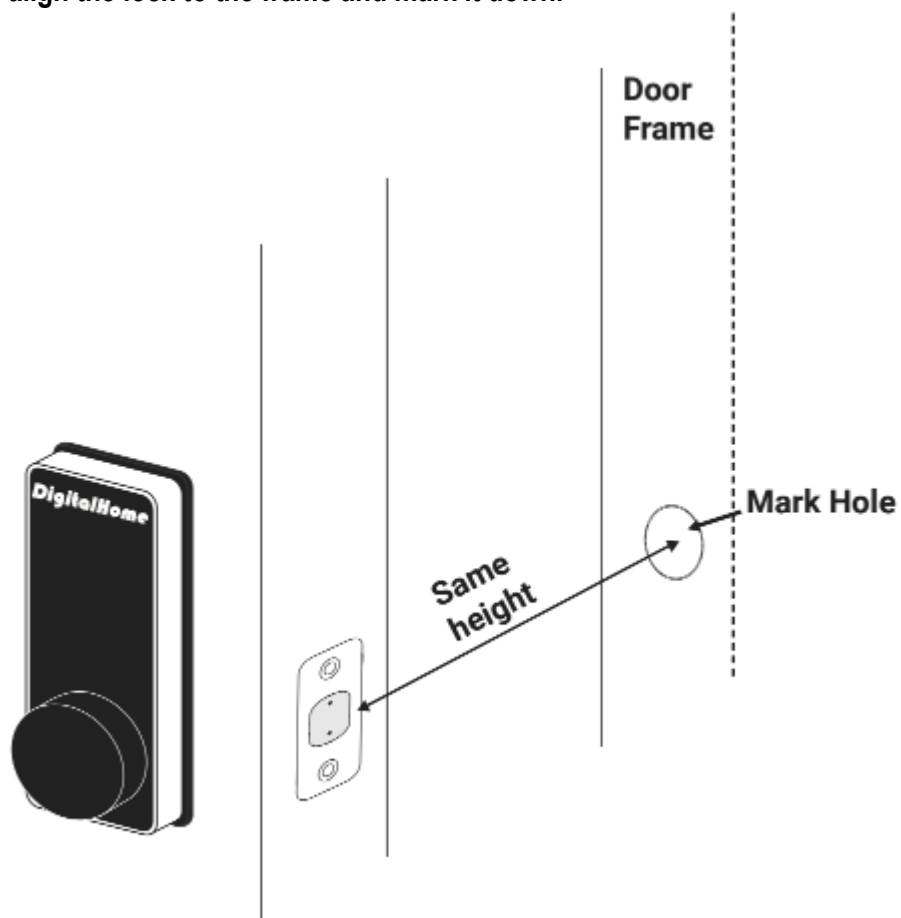
No

Tailpiece and/or thumbturn incorrectly set.

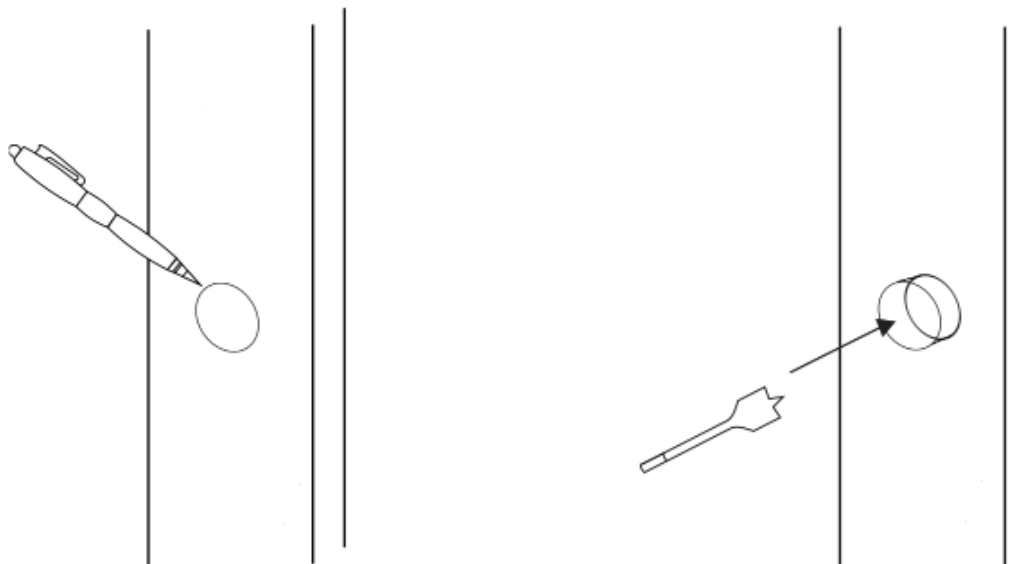
Troubleshoot: Disassemble lock and install it again.

Drill holes in door frame

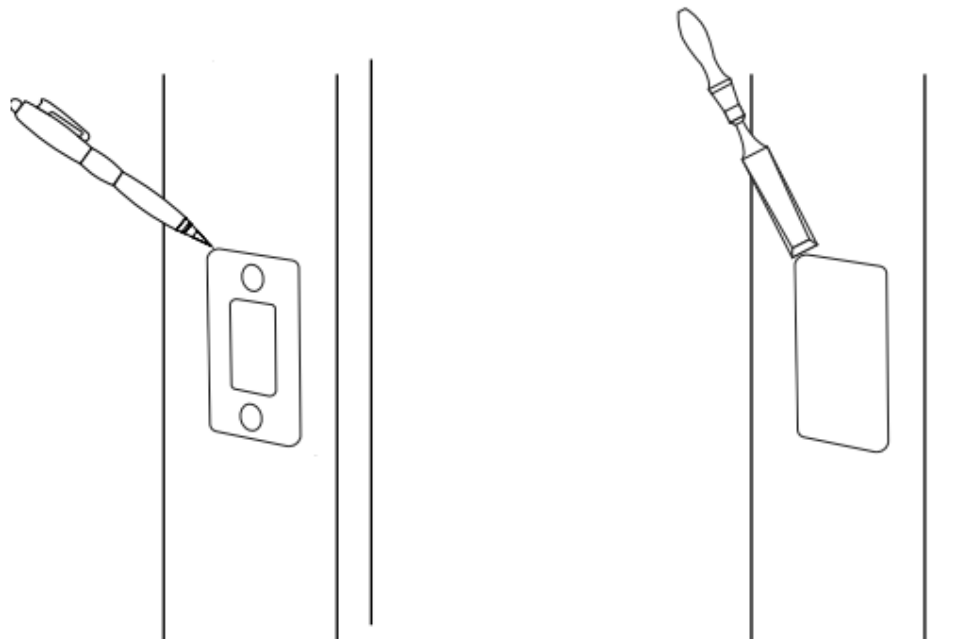
1. Make sure to align the lock to the frame and mark it down.



2. Mark out where the bolt tongue locks then drill a corresponding hole on door frame.



3. Mark out the strike plate and use the chisel 2mm or until the strike plate is flush.



4. Secure strike plate housing and strike plate using 2 x 25mm wood screws.

