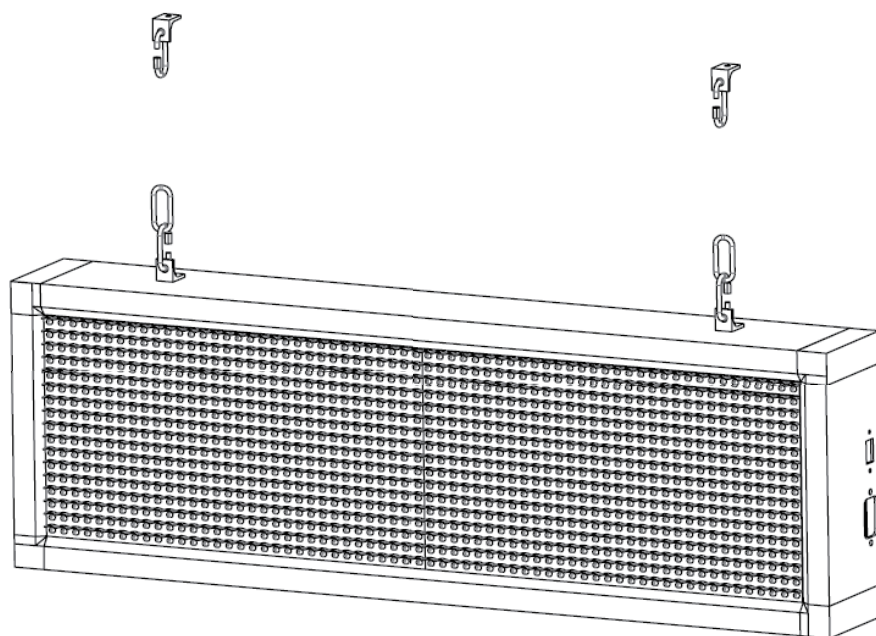


# INSTALLATION GUIDE BOOK

## AL-US21Q



*Programmable Single-Color  
Red LED Sign  
(H)8x(L)28x(W)4"*



**PRO LED**  
PRO LED SIGN TECHNOLOGY INC.

[www.ledsign4life.com](http://www.ledsign4life.com)

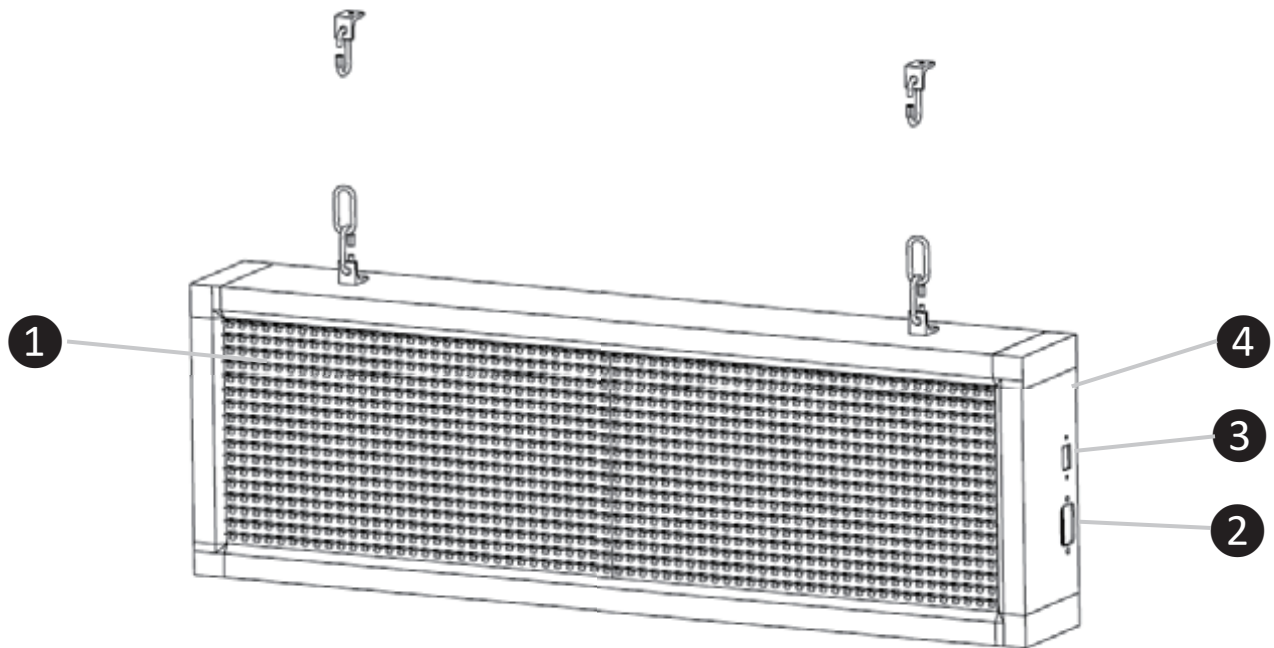
# Package Contents

1. LED Sign x1
2. Power Cord x1
3. USB Drive x1
4. 20in-Chain x2
5. Hook x4 -
6. Self Tapping Screw x4

# Installation Requirements

- 18V/20V hand drill
- Meter
- Pencil

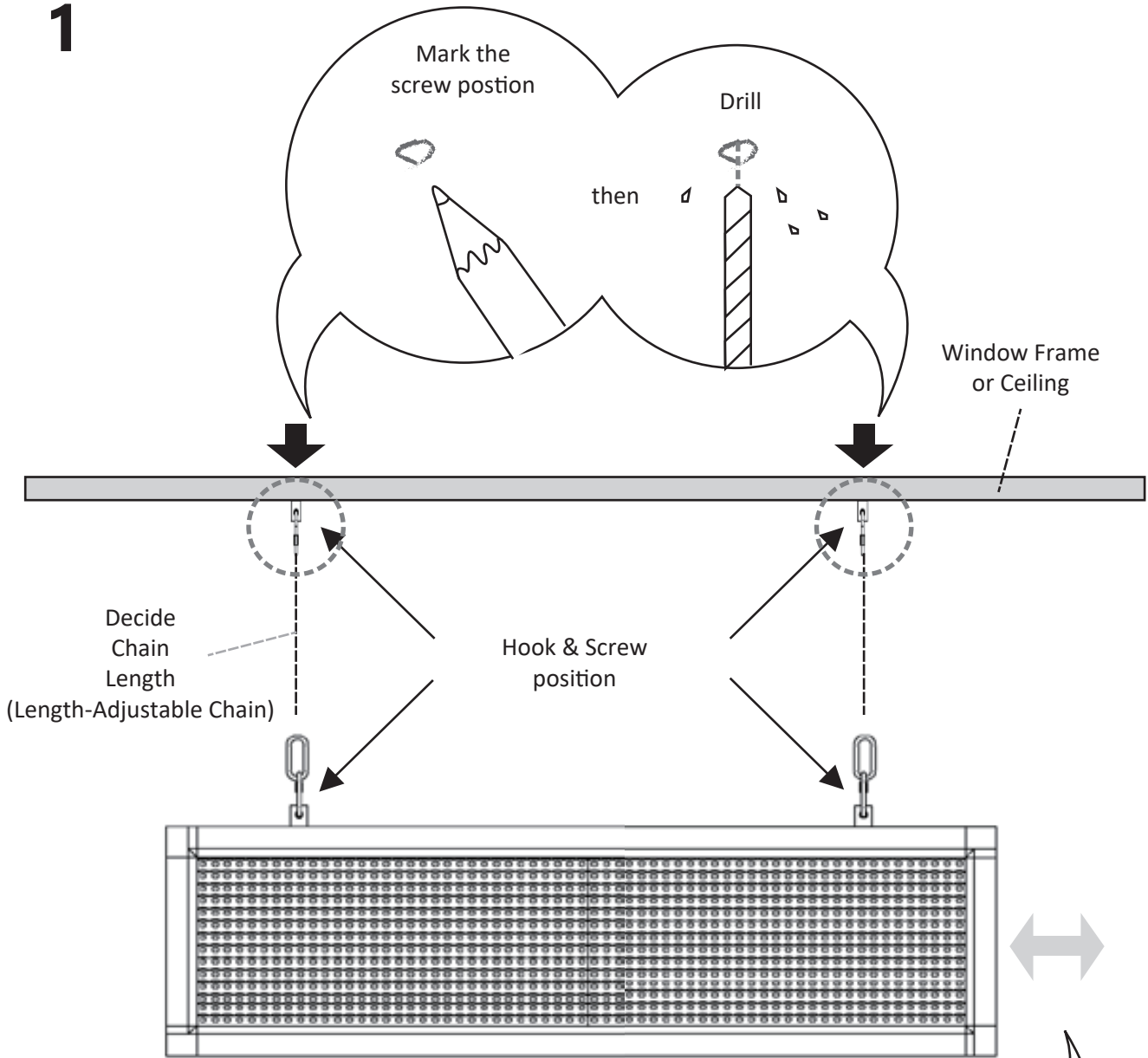
# Hardware Overview



1	Display LEDs	LED display bulbs in matrix
2	Power Port	Connect with power outlet at 110VAC
3	USB Port	Reading the codes from the USB Drive
4	Aluminum Frame	Holding a strong structure for the LED Modules

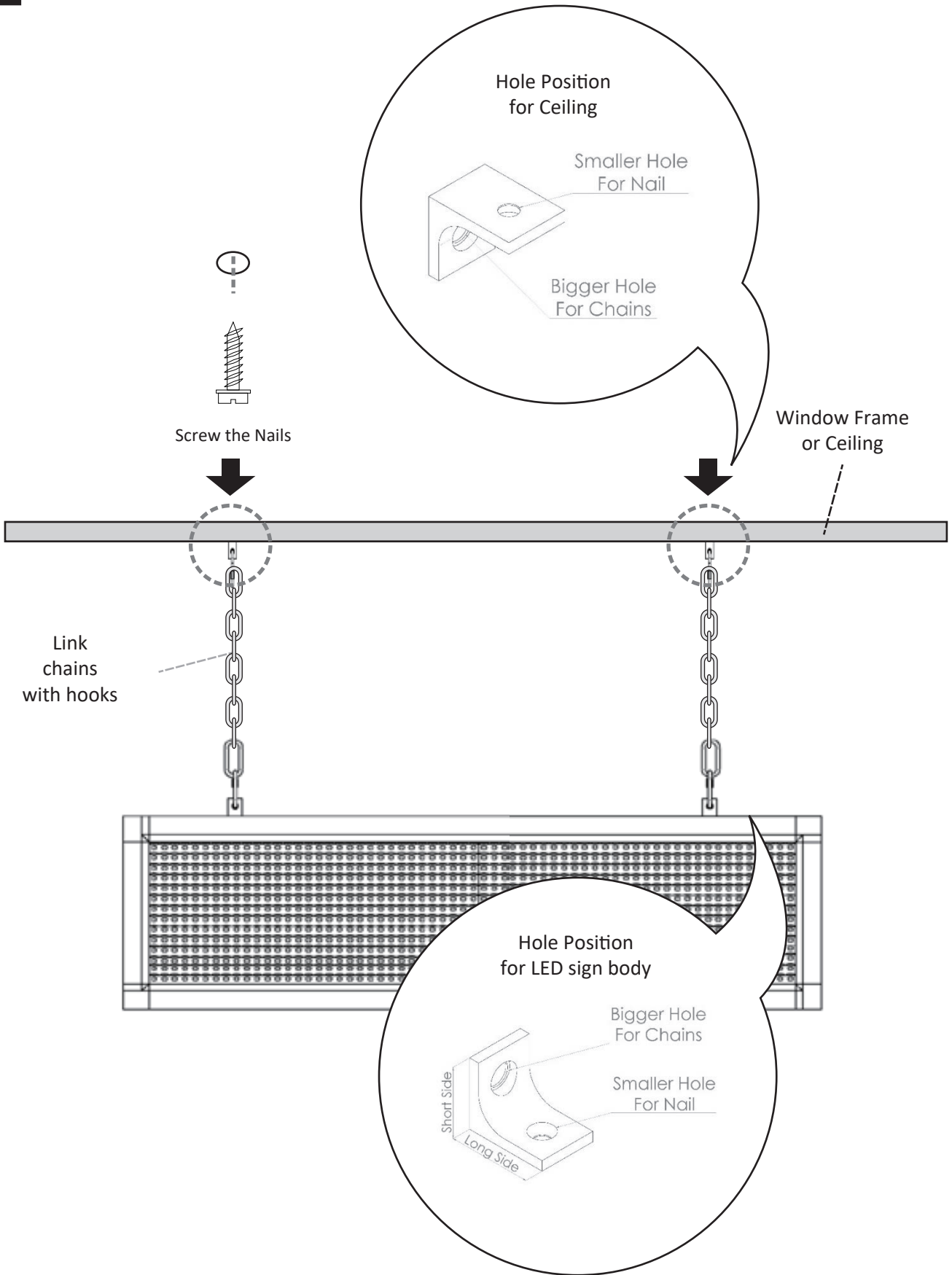
# How to Install

1

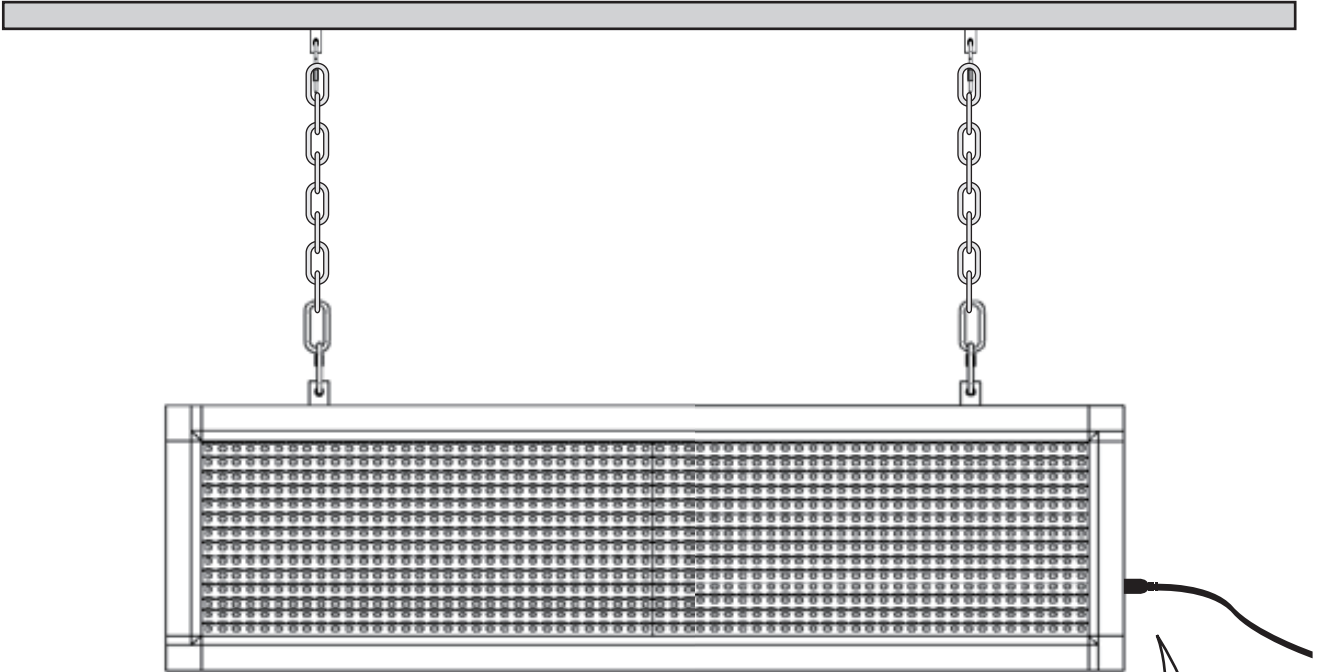


Tip.  
Leave space for a power cord and a USB Stick on the side of the sign

# 2



3



Connect  
a power cord to plug

