

# RGBW spotlight 2700K 12V

## Product Parameters

Product Name: 3W RGBW LED Spotlight

Model No.: SL4-12

Power: 3W

Input Voltage: 12V ===

Color Temperature: 2200K / 2700K

Beam Angle: 36°

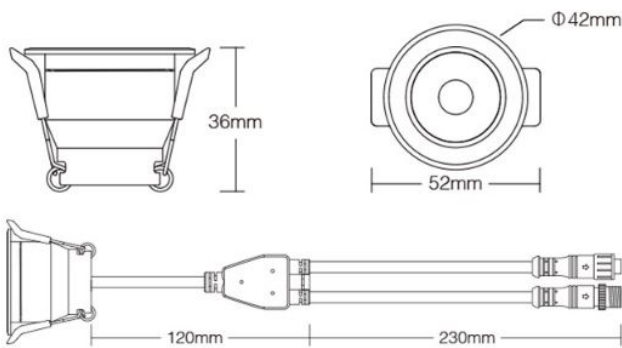
IP Rate: IP66

Lifespan: 50000 hours

Hole Size:  $\phi 33\sim 36\text{mm}$

Material: Aluminum

Working Temperature:  $-10\sim 40^{\circ}\text{C}$

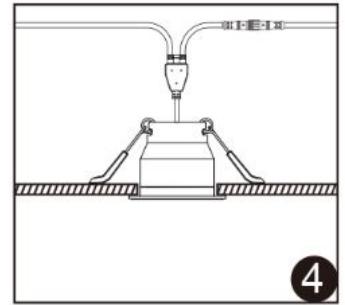
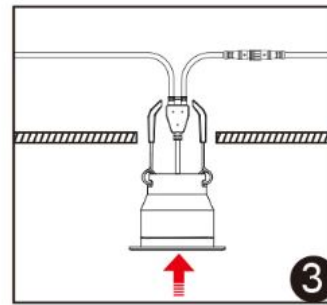
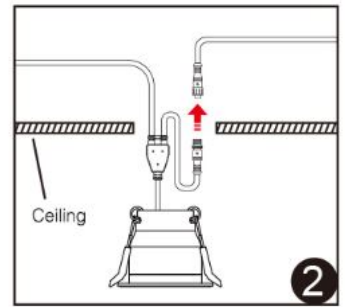
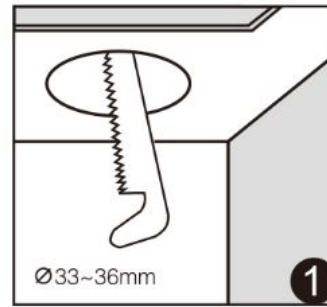


### Stainless steel spring buckle

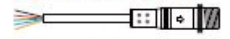
Strong and powerful, makes installation firmly



## Installation Diagram



Model No.: SL4-12



Black: V+

Red: R

Green: G

Blue: B

Yellow: W

