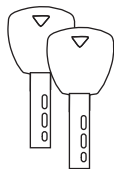
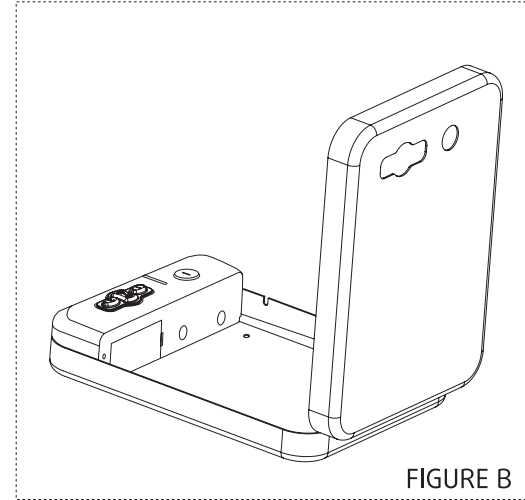
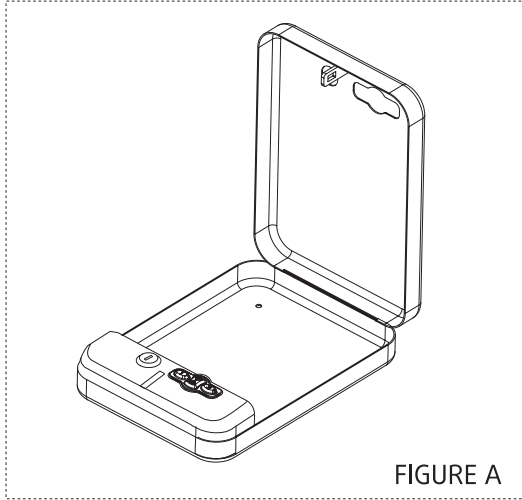




DIGITAL PORTABLE VAULT(RP1136)
Instruction Manual

RPNBSafe delivers security exactly where you want it.

Box Contents



- RPNB® Safe
- RFID Key Fob (2)
- Owner's Manual/ Quick Start Guide

- Button Tool
- High Strength Steel Security Cable
- Backup Keys (2)

Warnings

To prevent damage to your RPNB® unit or injury to yourself or to others, read the following safety precautions before using this unit.

DO NOT PLACE OR STORE THE BACKUP KEYS INSIDE THE SAFE AT ANY TIME. IF THE BATTERY FAILS, YOU WILL BE UNABLE TO OPEN THE SAFE.

DO NOT expose to extreme heat or cold. Battery power may be affected.

DO NOT store loaded guns in this unit. Firearms are serious in nature and must be handled with respect. Store responsibly.

ALWAYS check to make sure door has latched when closing; Lid requires a firm press and locks automatically.

Disclaimers:

Neither seller nor manufacturer shall be liable for unauthorized access, any injury, loss or damage to personal property direct or consequential, arising out of the use of, or the inability to use the RPNB® Safe.

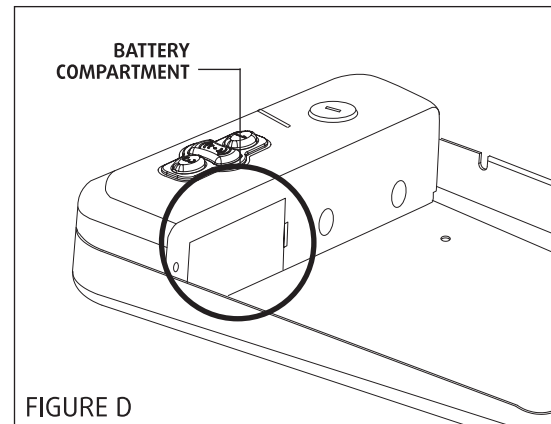
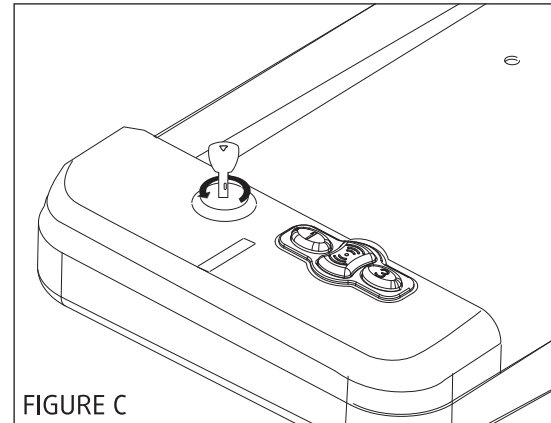
The user shall determine the suitability of the RPNB® Safe before the intended use and user assumes all risk and liability whatsoever in connection therewith, RPNB® Safe are not intended to protect against environmental hazards including fire and water.

Be sure and follow all local and state firearm laws.

DO NOT operate a firearm without proper training and experience.

Battery Installation

- 1 To get started, insert one of your backup keys into the keyhole at the top of the safe (see Figure C). Push key in and rotate the key 30 degrees counterclockwise to open the safe.
- 2 Remove crate foam insert. Locate the battery compartment door on the inside of the safe directly below the keypad (see Figure D).
- 3 Open the battery cover and insert the 4 AAA alkaline batteries (not included) into the battery compartment. Note that pay attention to the "+" and "-" signs. The "-" end of the batteries go against the spring inside of the compartment.
- 4 When the batteries are inserted correctly you will hear a short beep once and the keypad will light up.
- 5 Once you hear the beep and see the keypad light up, place the batteries cover. You are now ready to program your safe.



IMPORTANT: Your RPNB® safe will automatically lock when you fully close the lid.

Master Code Programming

First time users should change the default code as soon as possible to prevent unauthorized access to your safe, so it should be kept confidential.

TIP: Code Requirements

- Your code can be a minimum of 3 and a maximum of 8 digits.
- For your security, the safe will time out and sleep for 5 minutes if 3 incorrect entries are made.
- Two keys cannot be pressed simultaneously.
- Programming a new code will overwrite your previous code.
- To silence the audible sound of the electronics, press the "🔇" button (see Figure F) for 3 seconds, all keys(1-3) will light up once with one beep and let go. To turn the sound back on repeat the above steps.

- 1 Enter default code 1-2-3 on the keypad to open your safe.
- 2 With the safe open, press and hold the "PROGRAM" button by using button tool (**2 seconds**) and let go (see Figure E), all keys (1-3) will light up twice with the double beeps.
- 3 Enter your NEW master code.
- 4 Press and hold the "PROGRAM" button by using button tool (**2 seconds**) and let go, all keys (1-3) will light up 2 times with the double beeps. This tone confirms that the password has been reset.
- 5 Now test the code. If you make a mistake, all keys (1-3) will blink green&blue 3 times and the new code will not work, simply start over with step 2.

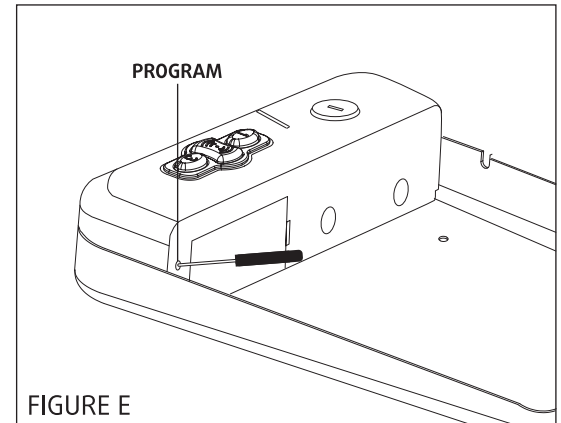


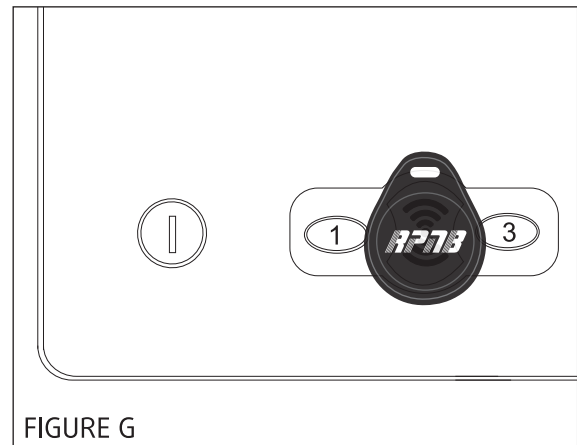
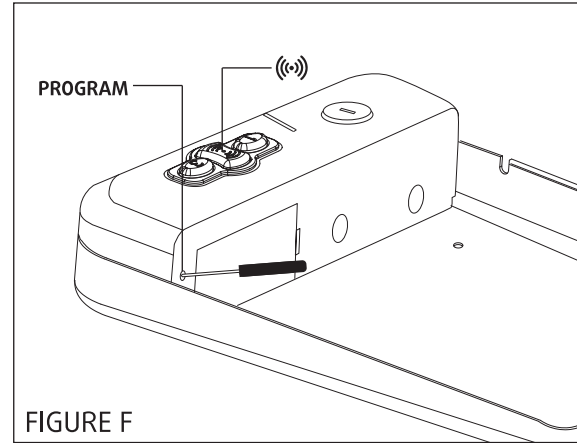
FIGURE E

Key Fob Programming

- 1 Open the safe.
- 2 Program 1st key fob by using button tool pressing the "PROGRAM" button (2 seconds) (see Figure F) and let go, all keys (1-3) will light up twice with the double beeps.
- 3 Place the key fob over the keypad approximately 1/4" from the surface for the scan (see Figure G). When the safe beeps and the keypad lights up remove your key fob.
- 4 Press and hold the "PROGRAM" button by using button tool again (2 seconds) and let go, all keys (1-3) will light up 4 times with the 4 beeps. This tone confirms that the key fob has been reset.
- 5 Now test the key fob. If you make a mistake, all keys (1-3) will blink green&blue 3 times and the new key fob will not work, simply start over with step 2.

Helpful Tips:

Before using the key fob, you must press anyone of "1,2,3" button at first, then place your key fob over the RFID induction zone to open the safe.

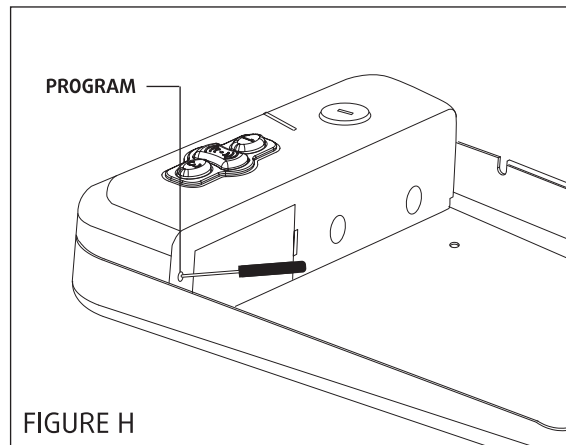


Deleting Key Fobs

- 1 Open the safe.
- 2 Press and hold the "PROGRAM" button by using button tool (5-8 seconds) (see Figure H) and let go, all keys (1-3) will blink green&blue twice with the double beeps and let go.
- 3 Now test the key fob. If you make a mistake and the key fob will work, simply start over with step 2.

TIP:

This procedure will not affect the keypad master code. Keypad master code can not be deleted on the safe.



Low Battery Warning

If the indicator light will light up blue and green simultaneously when opening the safe, your battery level is critically low and your safe needs to be replaced the 4 new batteries.

IMPORTANT

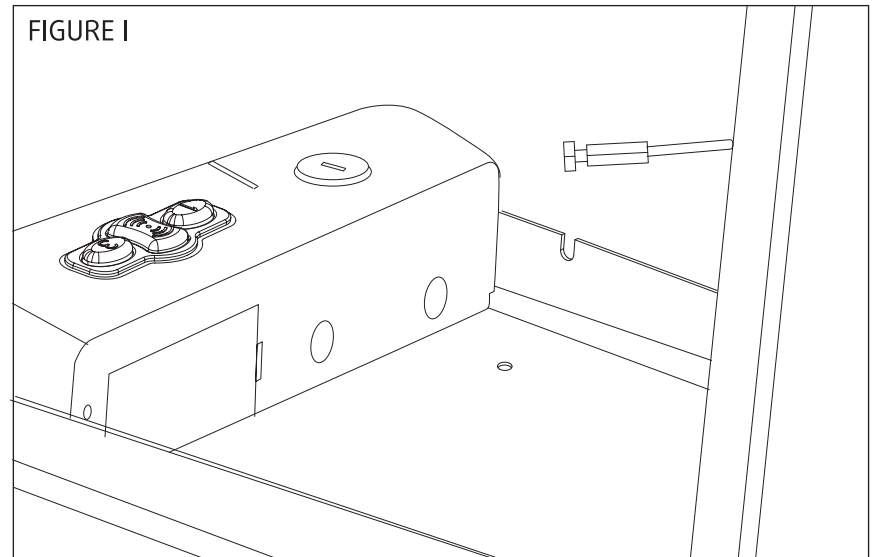
Use the **NEW** AAA alkaline battery.
Using other batteries may cause unusable conditions.

Securing Your Safe

Your RPNB® safe can be secured a few different ways. Included is a security cable to attach your safe to larger stationary objects.

Using the Security Cable

- 1 Loop the security cable around a secured object.
- 2 Run the end of the cable through the eye of the other end and pull tight around the object.
- 3 Place the end of the security cable inside the fully enclosed cable mount inside your RPNB safe as shown in (see Figure I).
- 4 Make sure the safe closes with the cable secured inside the cable mount.



Using the Mounting Screws

TIP: Make sure you have enough clearance for the lid to open properly before mounting the safe.

- 1 Position the safe on a flat surface where you want to mount it.
- 2 Use a pencil to mark the holes for drilling.
- 3 Drill pilot holes.
- 4 Position safe in place and install screws through safe into pilot holes. Tighten screws.

IMPORTANT

Mounting the safe vertically so that the door flips upward will result in incomplete opening of the safe due to weight. The door will open if the safe is mounted vertically so that door opens down or to side.

Customer Support/Warranty

Customer Support

If you have a problem with your RPNB® safe that is not answered in this manual, we encourage you to email us: CUSTOMERSUPPORT@RPNBSAFE.COM

How shall I view tutorial videos?



RPNB[®]

<http://www.rpnbsafe.com>

- 1 Go to our website via: **www.rpnbsafe.com**
- 2 Select the "**Customer Service**" on the navigation bar
- 3 Click "**How To Video**"
- 4 Select the product model you purchased

How shall I replace keys?

- 1 Go to our website via: **www.rpnbsafe.com**
- 2 Select the "**Customer Service**" on the navigation bar
- 3 Click "**Replace Keys**"
- 4 Fill in the required information

How shall I order accessories?

- 1 Go to our website via: **www.rpnbsafe.com**
- 2 Select the "**Customer Service**" on the navigation bar
- 3 Click "**Order Accessories**"
- 4 Fill in the required information

 More online at www.rpnbsafe.com under support

Linked Warranty (Terms and Conditions)

RPNB® is committed to building high quality products and will make every effort to ensure our products are free from any defects. We guarantee your safe will be free of defects in materials or workmanship for a period of one year from the date of original. This warranty does not cover abuse, misuse, use in any manner for which is not designed, neglect, modification, damage in advertently caused by the owner; accidents, and/or tampering.

If your safe is determined to be defective and we are responsible for the cause we will have it repaired at our expense, or we will send a new replacement at no cost to you. You will be required to return your existing unit as well as all included accessories to RPNB® prior to replacement of the defective unit along with your order of purchase.

If it is determined your safe needs to be returned our customer support team will provide you with a return detail.

Please have the following information available when contacting us:

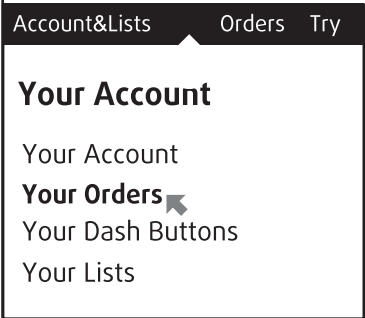
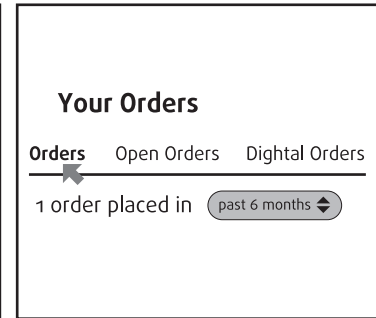

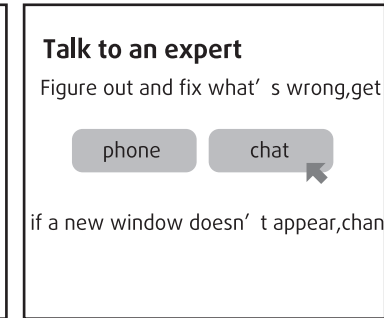
- Purchaser's name and mailing address, email address, and phone number
- Online order number
- Detailed description of problem

NEITHER SELLER NOR MANUFACTURER SHALL BE LIABLE FOR ANY INJURY, LOSS OR DAMAGE, DIRECT OR CONSEQUENTIAL, ARISING OUT OF THE USE OF, OR THE INABILITY TO USE THE RPNB® SAFE.

How shall i talk to them?

Go to Your Orders, find your order in list, and click get product support.

You can e-mail the seller by doing the following:

 <p>Account&Lists Orders Try</p> <p>Your Account</p> <p>Your Account</p> <p>Your Orders ←</p> <p>Your Dash Buttons</p> <p>Your Lists</p>	 <p>Your Orders</p> <p>Orders Open Orders Digital Orders</p> <p>1 order placed in past 6 months ▾</p>	 <p>Get product support →</p> <p>Write a product review</p> <p>Archive order</p>	 <p>Talk to an expert</p> <p>Figure out and fix what' s wrong,get</p> <p>phone chat →</p> <p>if a new window doesn' t appear,chan</p>
<p>1.Go to your account find the order</p>	<p>2.Find your order item</p>	<p>3.Click get product support</p>	<p>4.Give the seller 24hours to respond</p>

 Please email us to get a special **VIP** discount code before your next order.

 Problem with the order? Please email us, give us a chance to help you firstly.

 **Satisfied with us.**

Hum, this people is nice, i can give them a positive reviews to tell people they are selling good products, doing the right thing.



RPTB®

Dear Customer:
Thank for your business
— BEST WISHES FOR YOU —



Customer Support Hours:

Monday - Friday 9:00AM - 6:00PM (PST) Saturday - Sunday 9:00AM - 12:00PM (PST) Excluding Holidays
Hours subject to change

Customer Service Department Contact: customersupport@rpnbsafe.com