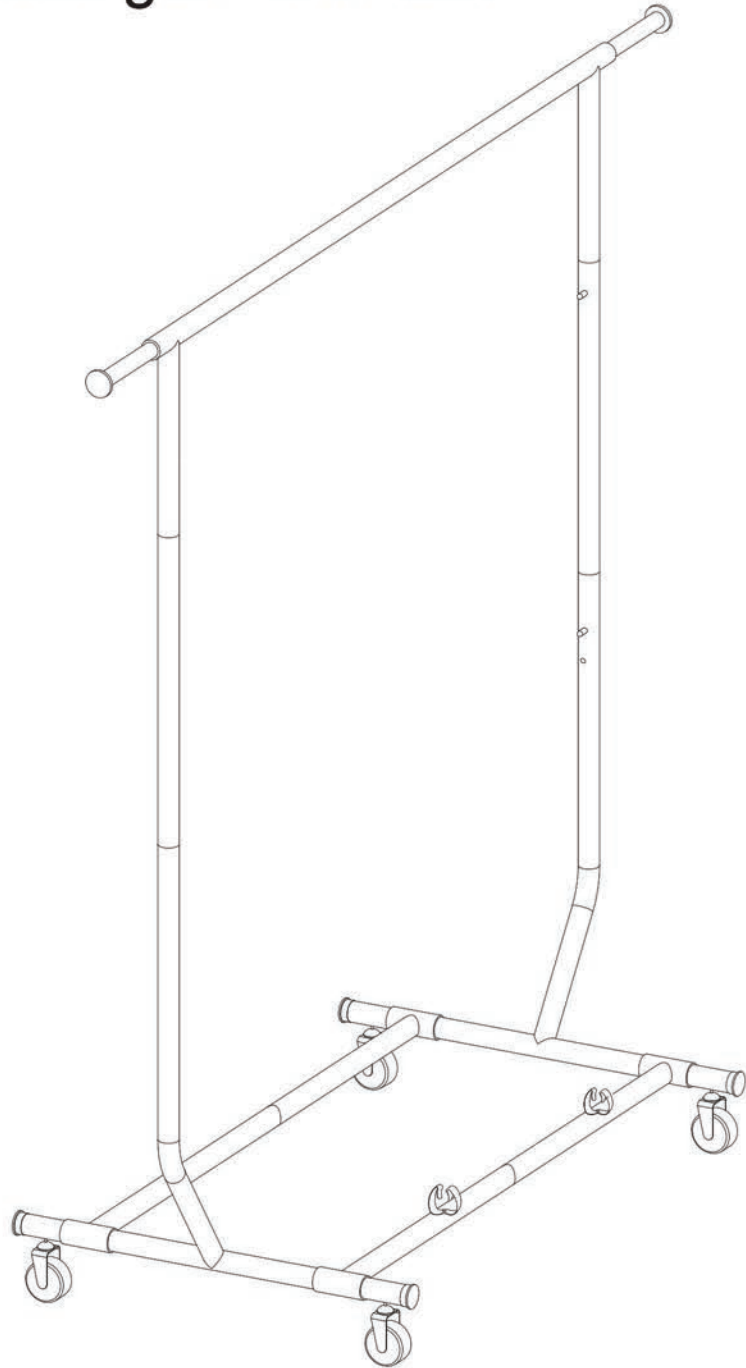
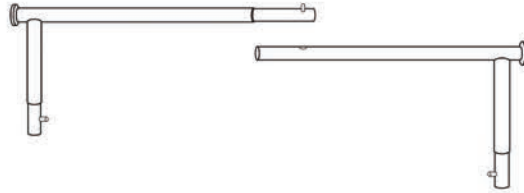


chrome commercial foldable garment rack



component list

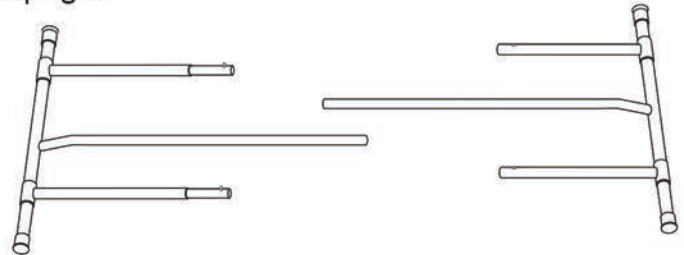
① x 2
left & right hanger rod



② x 2
extension pole



③ x 2
base bar w/upright



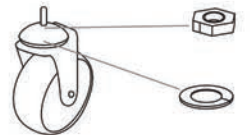
④ x 2
metal clasp



⑤ x 2
3/16" machine screw

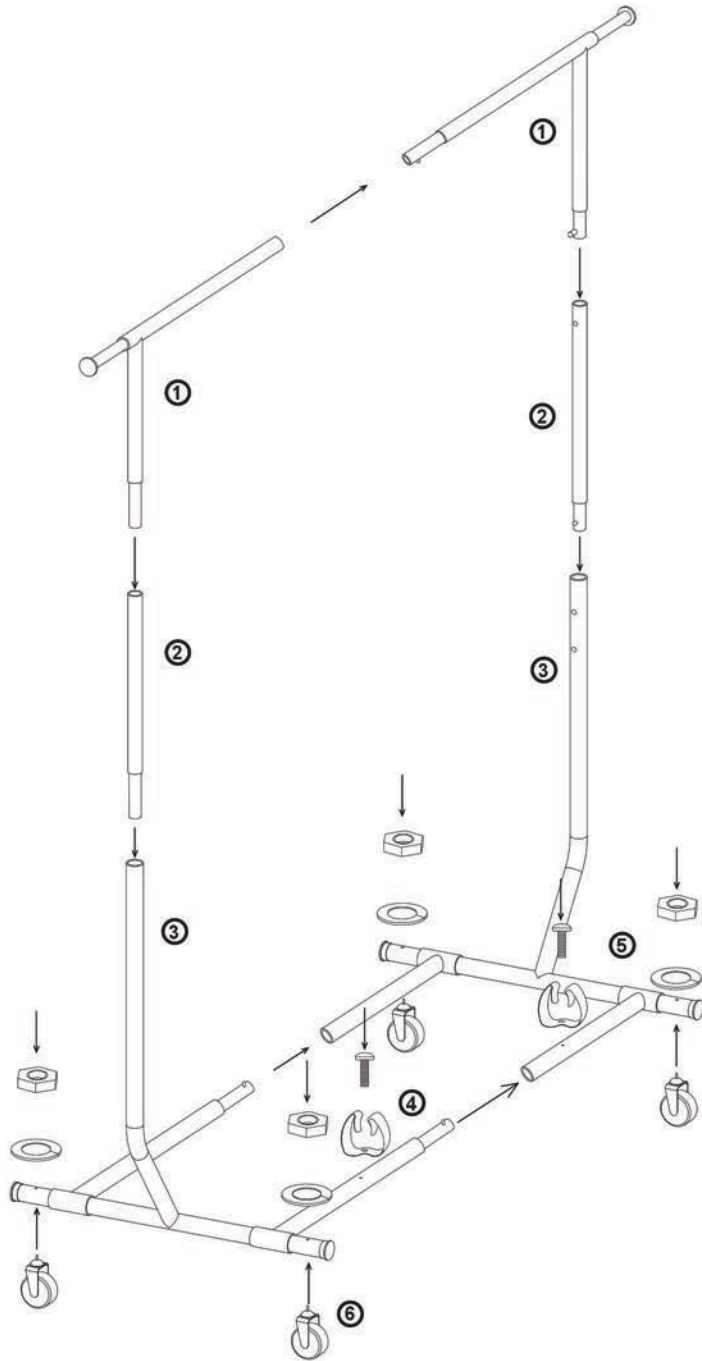


⑥ x 4
4" caster/nut/lock washer



assembly steps

- Follow the steps for assembling



how to unfold your garment rack :

Step 1—Remove the horizontal hanging rod (labeled①) from the vertical extension poles (labeled②) :

Step 2—Lay flat both vertical poles (labeled②+③) against base assembly :

Step 3—Press the hanging rod assembly into clasps on the base assembly.

