

EK-SERIES LISTED

Constant Voltage Electronic Phase Dimmable LED Driver

The EK-SERIES Listed is an electronic Class 2, phase- dimmable, LED driver with a low profile aluminum case, making it the perfect choice for tape lighting, kick/cove lighting, under cabinet lighting and multiple other residential and commercial lighting applications. The UL Listed enclosure includes a wiring compartment with two ½" knockouts for easy installation, eliminating the need for a separate junction box. The driver features auto reset, over current and short circuit protection as well as an efficiency over 90% -- resulting in low operating case temperature. The EK-SERIES Listed is phase-dimmable down to 1% with leading edge TRIAC dimmers.



6.77" L x 2.67" W x 1.30" H



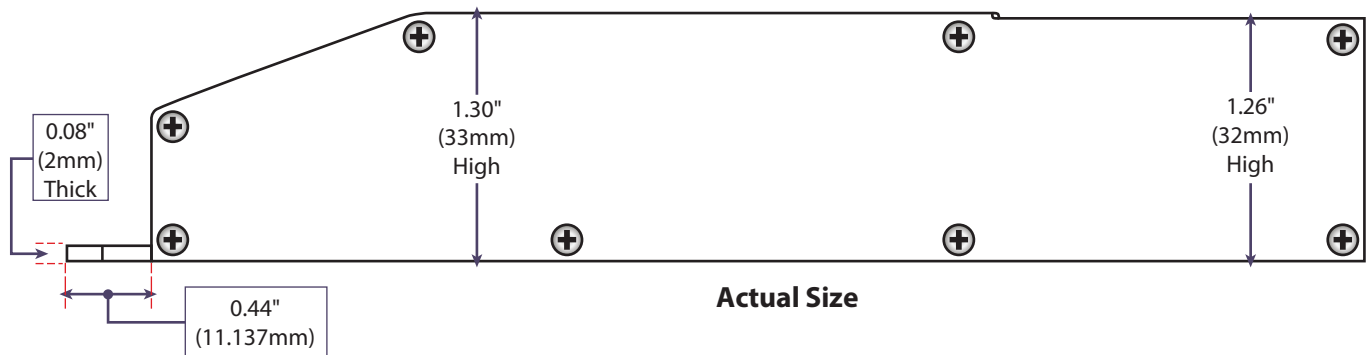
- Installation:** Surface-Mount Junction Box with Multiple ½" Knock-Outs
- Driver Types:** Class 2 Single Channel
- Dimming:** Phase Dimmable Down to 1% with Leading Edge TRIAC Dimmer
- Input Voltage:** 120VAC, 50/60Hz
- Output Voltage:** 12VDC or 24VDC Available
- Environmental:** NEMA 3R
- Listing:** UL Listed
- Certifications:** UL 8750, CSA C22.2 No. 250 13-14

Ordering Guide

E	L	DC	(Example: E96L24DC)
Type	Max Power	Listing	Output
E — E-Series	40 — 40W 60 — 60W 96 ¹ — 96W	L — UL Listed Enclosure	12DC — 12VDC 24DC — 24VDC
	¹ 24VDC Only		

Dimensions

Length	6.77" (171.9mm)
Width	2.67" (67.8mm)
Height	1.30" (33.0mm)



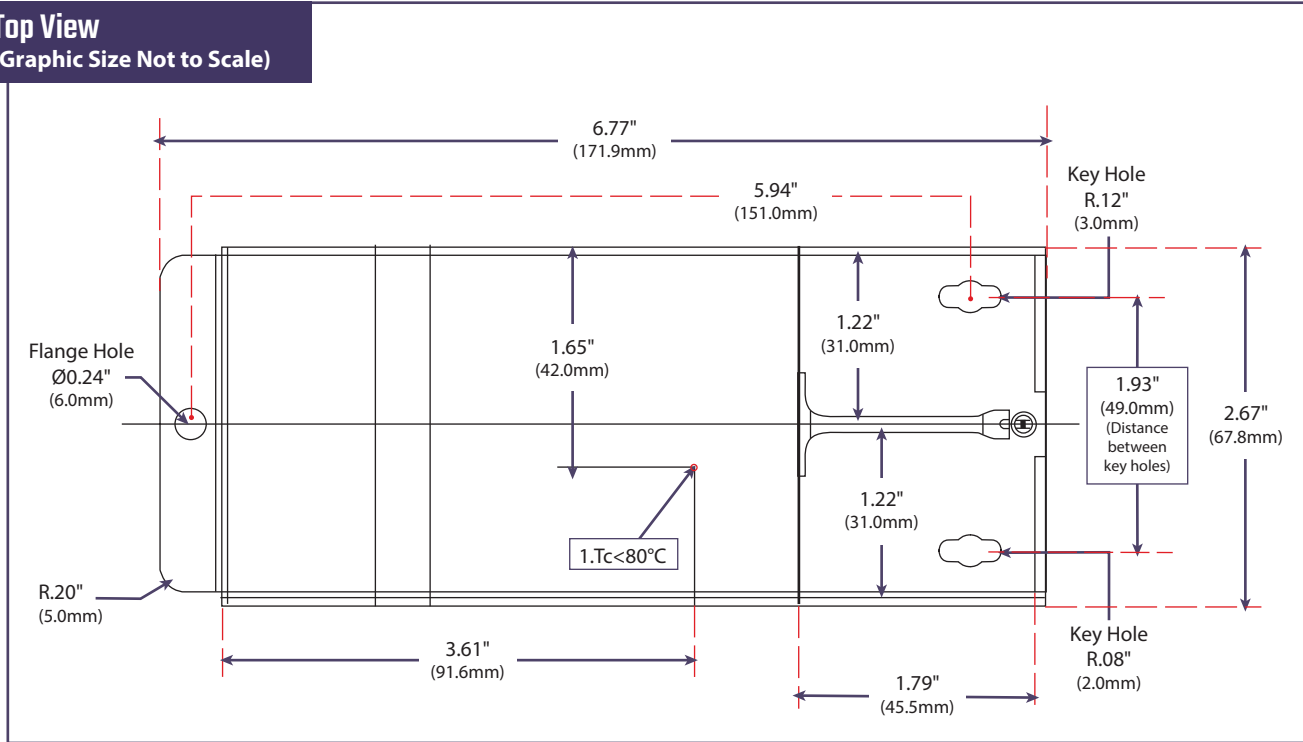
Specifications

Input	40W	60W	96W
Input Voltage Range			
Input Frequency	50 / 60Hz	50 / 60Hz	50 / 60Hz
Input Current	0.41A@120VAC (12VDC) 0.41A@120VAC (24VDC)	0.61A@120VAC (12VDC) 0.61A@120VAC (24VDC)	0.85A@120VAC
Efficiency	> 90% (12VDC) > 90% (24VDC)	> 90% (12VDC) > 90% (24VDC)	> 90%
Power Factor	0.95	0.95	0.95
Output			
Max Load	40W	60W	96W
Output Voltage @ Max Load	12.0VDC 24.0VDC	12.0VDC 24.0VDC	24.0VDC
Output Current @ Max Load	3.50A (12VDC) 1.75A (24VDC)	5.00A (12VDC) 2.63A (24VDC)	4.16A
Environmental			
Max Ambient Temperature	-30°C - +65°C (-22°F - 122°F)		
Dimming			
Minimum Dimming Level	1%	1%	1%
Protection			
Circuit Breaker	Short Circuit & Over-Voltage Auto-Reset		
Mechanical Housing			
Primary Leads	18 AWG	18 AWG	18 AWG
Secondary Leads	14 AWG	14 AWG	14 AWG
Length	6.77" (171.9mm)	6.77" (171.9mm)	6.77" (171.9mm)
Width	2.67" (67.8mm)	2.67" (67.8mm)	2.67" (67.8mm)
Height	1.30" (33.0mm)	1.30" (33.0mm)	1.30" (33.0mm)
Weight	9 oz. (255g)	9 oz. (255g)	9 oz. (255g)
Housing Material	Coated Metal	Coated Metal	Coated Metal
Housing Color	Black	Black	Black
Junction Box	Yes	Yes	Yes
Mounting	One-Hole Flange Mount, 2 Key Holes in Wire Housing		
Approval Markings			
Certificates/Approval Signs	UL8750 Class 2	UL8750 Class 2	UL8750 Class 2

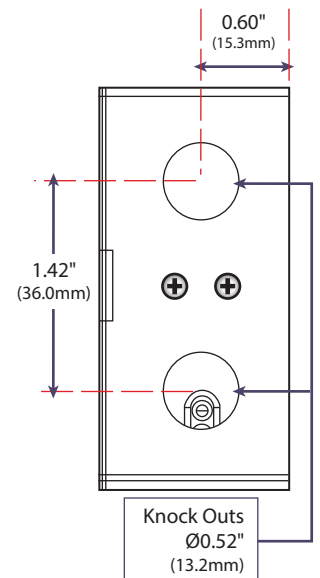
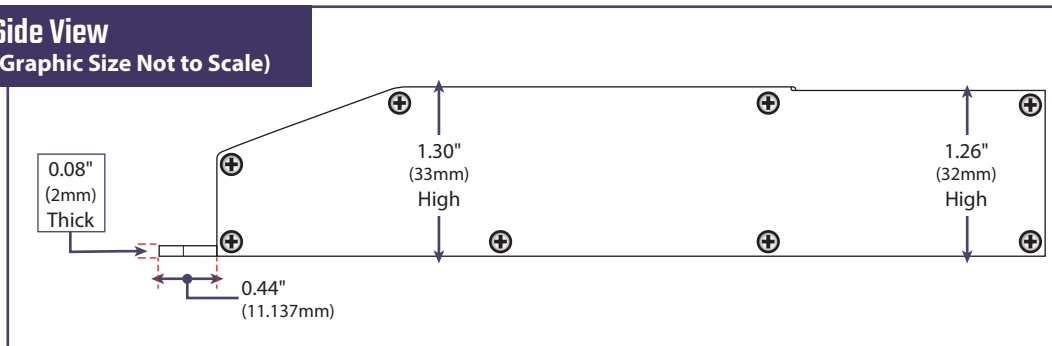
Mechanical Diagrams

E-Series Listed Drivers with Wire Housing

Top View
 (Graphic Size Not to Scale)

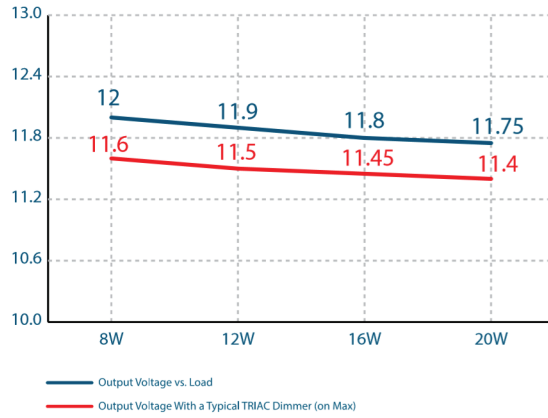


Side View
 (Graphic Size Not to Scale)

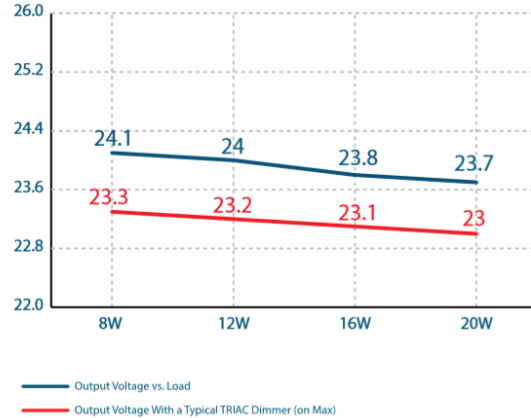


Load Regulation

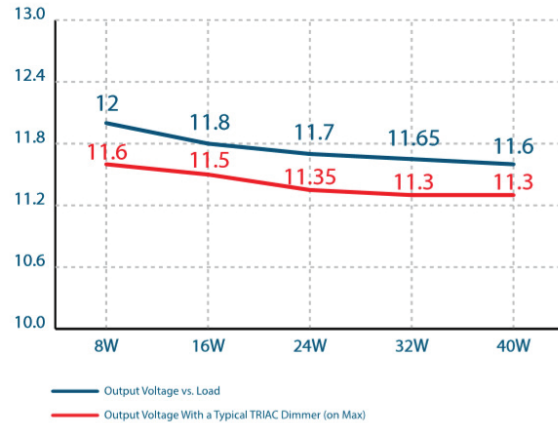
20W (12VDC)



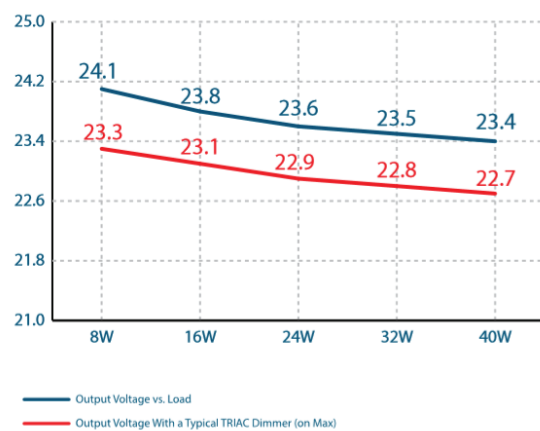
20W (24VDC)



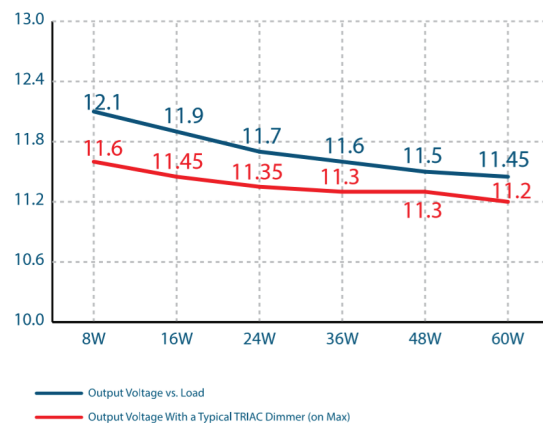
40W (12VDC)



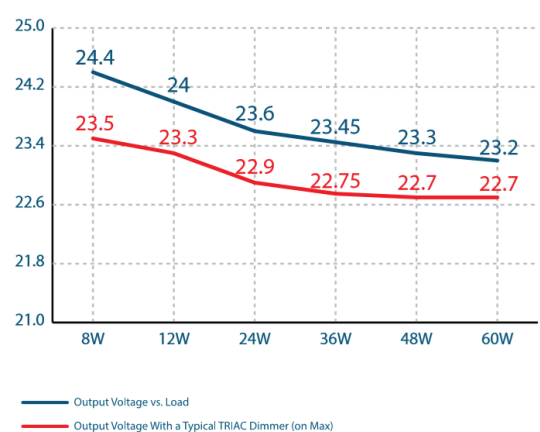
40W (24VDC)



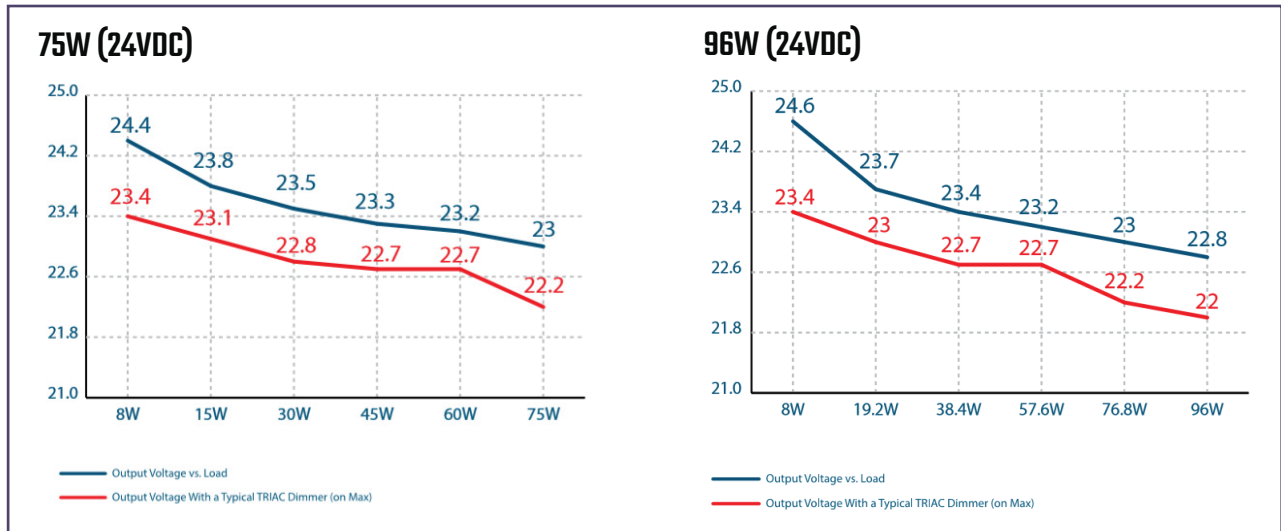
60W (12VDC)



60W (24VDC)



Load Regulation, Continued



Wiring Diagrams

