



200W 5-in-1 Dimmable Driver 24V

KEY FEATURES

- Available in 200W and 300W
- Seamless Dimming
- UL-Listed
- 6 year warranty

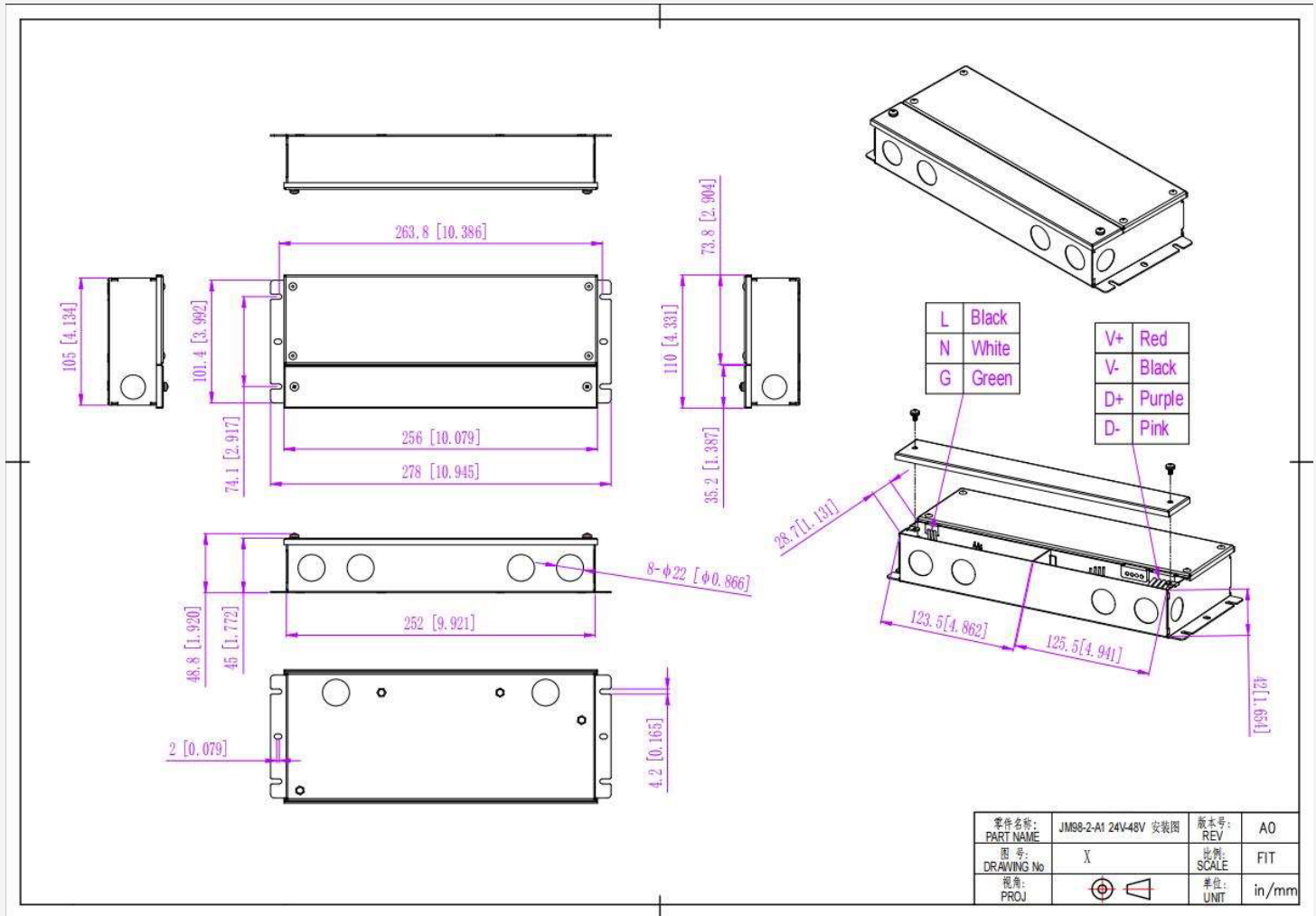
SPECIFICATIONS

	200W
Input Voltage	100-277V AC
Output Voltage	24V
Dimensions	10.5 x 4.2 x 1.9 inches
Dimming Range	
Power Factor	0.98 @ 120VAC
THD	≤ 20% @ 120VAC
IP Rating	IP 66
Efficiency	≥88% @ 120VAC
In-Rush Current	120V-15A, 50%, 1.4ms
Leakage Current	<0.50mA @ 120VAC
Working Humidity	20~95%RH, non-condensing
Working Temp	-40°C to +60°C
Warranty	6 years

5-in-1 LED Dimmable Drivers: One of the safest 24V dimmable LED drivers out there.

This dimmable driver comes with short circuit protection, over current protection, over-voltage protection, low-voltage protection, and auto-recovery mode. No buzzing noise, No overheating. This product is UL listed, meaning that it will automatically shut off if overloaded, preventing overheating and fire hazards caused by components exceeding their power ratings.

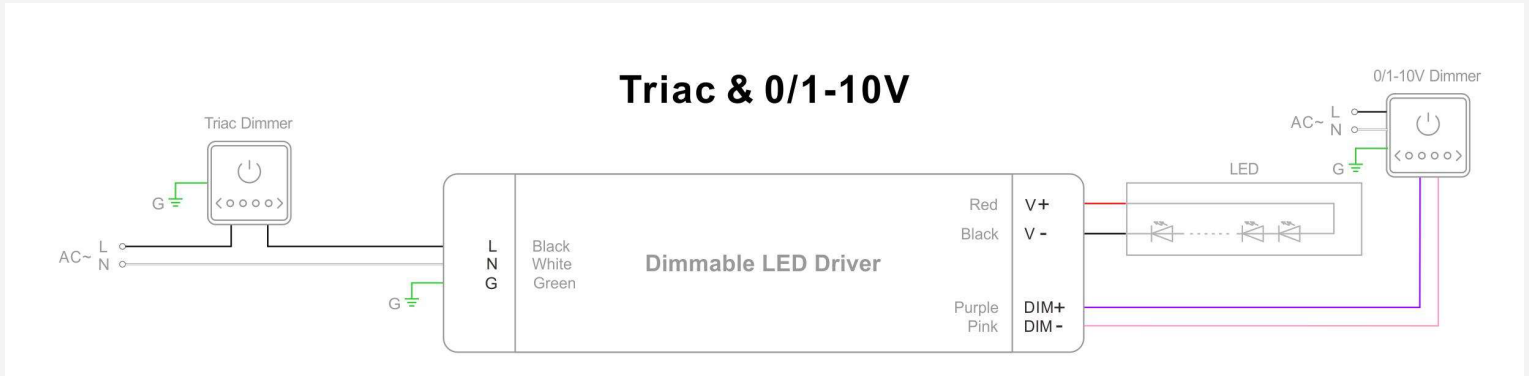
SPECIFICATIONS



1. Input cable 1 BAWG, the Green cable to G, Black cable to L, and White cable to N of Mains AC
2. Output cable 14AWG, Red cable(+) to LED Positive side(+), Black cable(-) to LED Negative side(-).
3. Dimming cable 18AWG, Purple cable DIM(+) to 0/1-10V dimmer signal(+), Pink cable DIM(-) to 0/1-10V dimmer signal(-)
4. Please DO NOT connect "DIM-" to "LED-", "DIM+" to "LED+", or other incorrect connection.
5. Please make sure your connect these correctly otherwise your product will not function correctly and could be damaged.

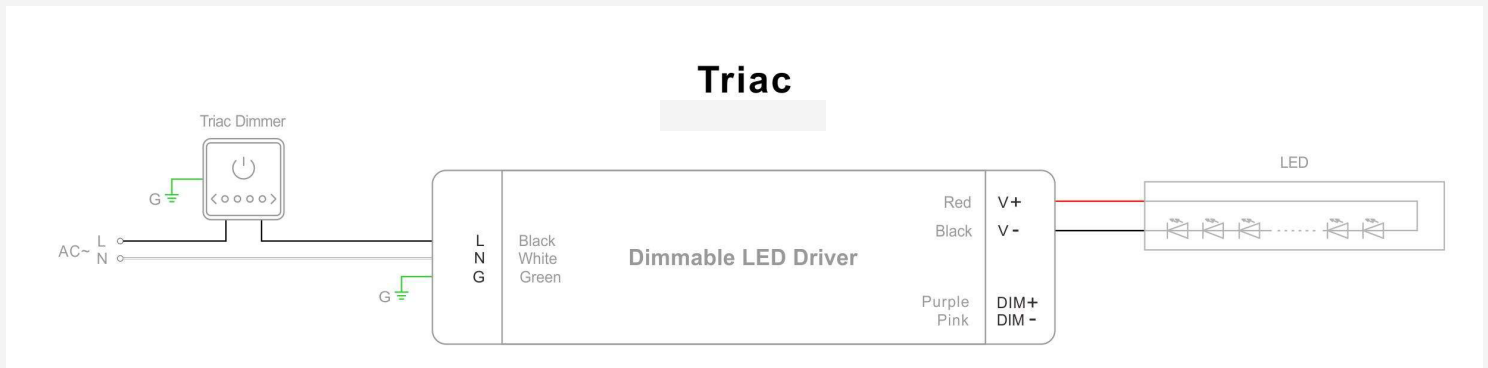
DIMMING AND CONNECTION DIAGRAM

Triac & 0/1-10V



1. The Pulse-Width Modulation (PWM) of output voltage can be adjusted through input terminal of the AC phase line(L) by connection a phase /Triac dimmer or lighting system.
2. Working with forward phase, MLV and Reverse phase , ELV, TRIAC dimmers or light system.
3. Minimim loading is about 10%
4. Please try to use dimmers with power at least 1.5 times as the output power of the driver.

Triac



Using one dimming ---0-10/ 1-10V/ 10V PWM/ Potentiometer dimming

0-10V / 10V PWM

