

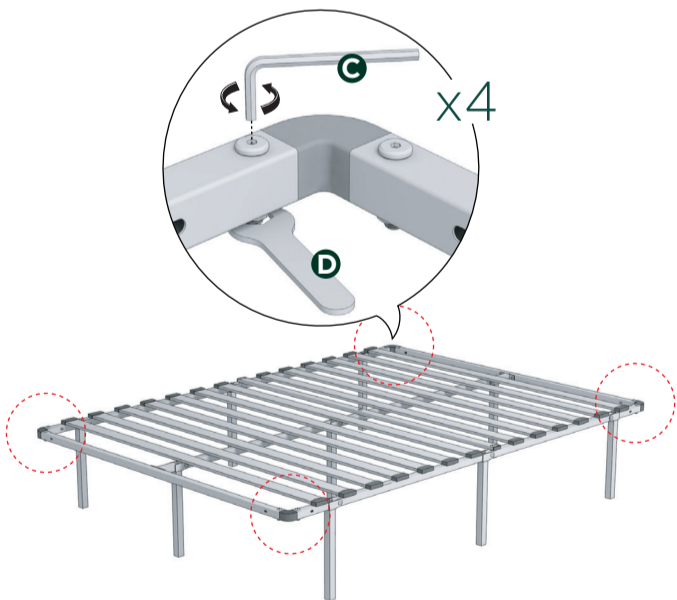
Zinus SmartBase® Euro Slats Mattress Foundation



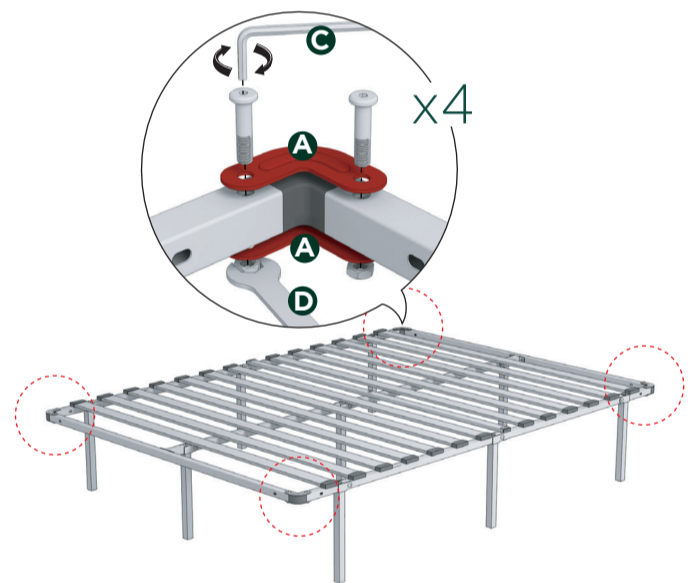
MESB-2 (Full Size)

1 Prior to installing the kit, remove your mattress, bedding, and any other objects from the top of the platform.

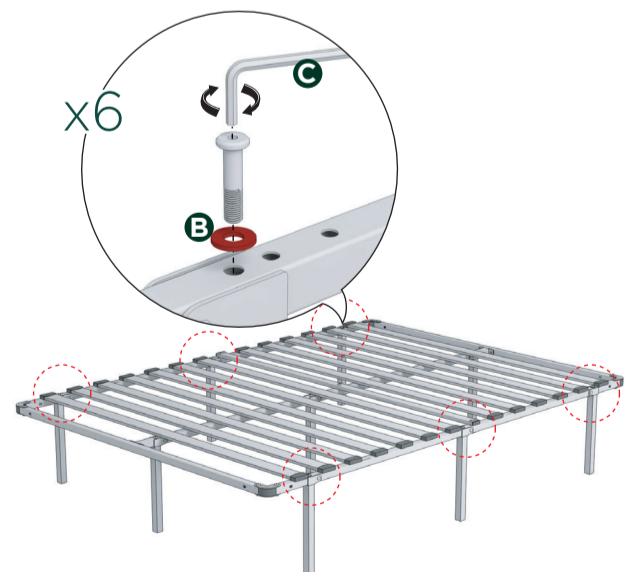
2 Beginning at one corner, use the Allen wrench **C** to unscrew the 2 bolts connected to the corner. Use the open wrench **D** to simultaneously hold the connected nut on the underside of the frame in place as you unscrew the bolt.



3 Place one corner bracket **A** on top of the corner of the frame, and a second corner bracket on the bottom of the corner. Secure the brackets in place using the existing 2 bolts and the Allen wrench **C** to tighten them. Use the open wrench **D** to hold the 2 nuts in place on the bottom of the bolts as you tighten them. Repeat steps 2 and 3 three more times on the remaining bed corners.



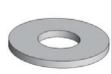
4 Above the side leg, loosen and remove the existing bolt using the Allen wrench **C**. Insert the bolt into a washer **B** and use the Allen wrench **C** to tighten it through the same hole above the side leg. Repeat this step 5 more times for each side leg.



Components



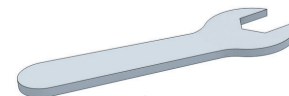
A x8pcs



B x6pcs



C x1pc



D x1pc