

HOME APPLIANCES

User Manual

520mm Rangehood UC52



Dear Customer,

We thank you for choosing this quality appliance and hope you enjoy many years of reliable service.

Please ensure this manual is read carefully before installation and use.

Keep this manual in a safe and accessible location should future reference be required.

Regards
Home Appliances

CONTENT

| | |
|-----------|---------------------------|
| 2 | Notice |
| 3 | Safety Warning |
| 4 | Function & Feature |
| 5-6 | Installation |
| 7-8 | Operation and Maintenance |
| 9 | Caution |
| 10 | Abnormity and Solution |

NOTICE

1. Thank you for choosing our canopy rangehood.

Please read the instruction manual carefully before use.

2. The installation work must be undertaken by a qualified and competent installer.

3. The manufacturer disclaims all liability for any damage or injury caused as a result of not following instructions for installation contained in the following text.

The cooker hood is used on 220/240v, 50Hz.

Canopy Installation and Operation Manual

Home Appliances – Oct 2013 2

SAFETY WARNINGS

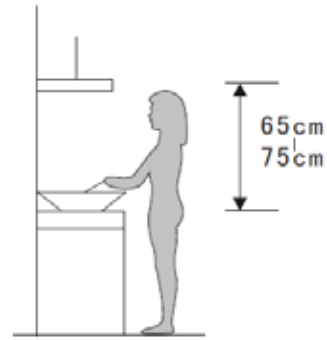
- Installation of this Integrated Canopy Rangehood must be carried by a Qualified and competent installer.
 - The manufacturer disclaims and liability for any damage or injury caused as a result of not following instruction of installation contained in this instruction manual.
 - This Integrated Canopy Rangehood is not intended for use by young children or infirm persons without supervision.
 - Young children should be supervised to ensure they do not play with this Integrated Canopy Rangehood.
 - To avoid possible electric shock this Integrated Canopy Rangehood should be unplugged before any maintenance or cleaning is carried out.
 - This Integrated Canopy Rangehood cannot be installed in an external environment.
 - The Grease Filters should be cleaned at least once a month to avoid the risk of fire.
 - Flambé cooking cannot be carried out under the Integrated Canopy Rangehood and is not recommended for use over Barbeques.
 - Ducting must be independent from any other form of ducting of other household heating sources.
 - Ducting into wall cavities is prohibited unless the cavity has been designed for this purpose
 - Lit gas burner should never remain uncovered or on when there is no pan present due to the risk of fire.
 - Adequate ventilation of the room is required when the cooker hood is used at the same time as appliances burning gas or other fuels.
 - CAUTION: Accessible parts may become hot when used with cooking appliances.
- ✧ Thank you for purchasing this cooker hood. Please read the instruction manual carefully before you use the cooker hood, and keep it in a safe place.
- ✧ The installation work must be carried out by a qualified electrician or competent person. Before you use the cooker hood, make sure that the voltage (V) and the frequency (Hz) indicated on the cooker hood are exactly the same as the voltage (V) and the frequency (Hz) in your home.
- ✧ The manufacturer and the agent will not bear any responsibility for the damage caused by inappropriate installation and usage.

FUNCTION AND FEATURE

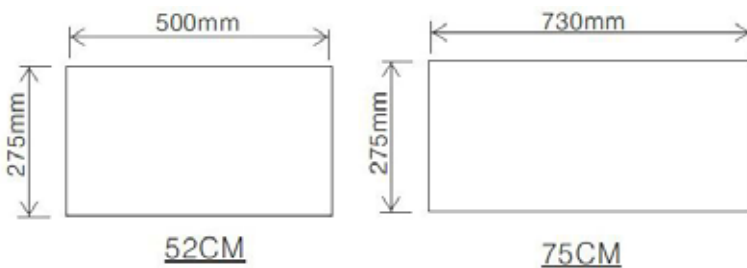
1. The cooker hood is made of high quality materials with streamlined design accordingly to technical and physical engineering theory, high end and luxury with age aesthetic feeling, also there are kinds of styles for your option to perfect your kitchen.
2. Equipped with a large power low noise electric motor and centrifugal leaf, it produces strong suction, low noise, no stick grease filter and easy to clean.
3. The grease filter is easy to remove and clean, and only wipe lightly for the motor and other interior parts.

1. INSTALLATION

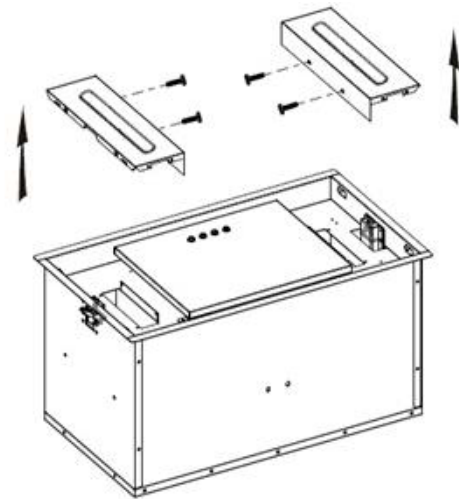
- 1) The cooker hood should be placed at a distance of 65-75cm (26-30inch) from the cooking surface for the best effect.
- 2) Drill a hole in the cabinet, with hole wide 500*275(mm) for 52CM and 730*275(mm) for model 75CM. Pic 1. Make sure the hole's edge to the cupboard's edge is at least 35mm distance.



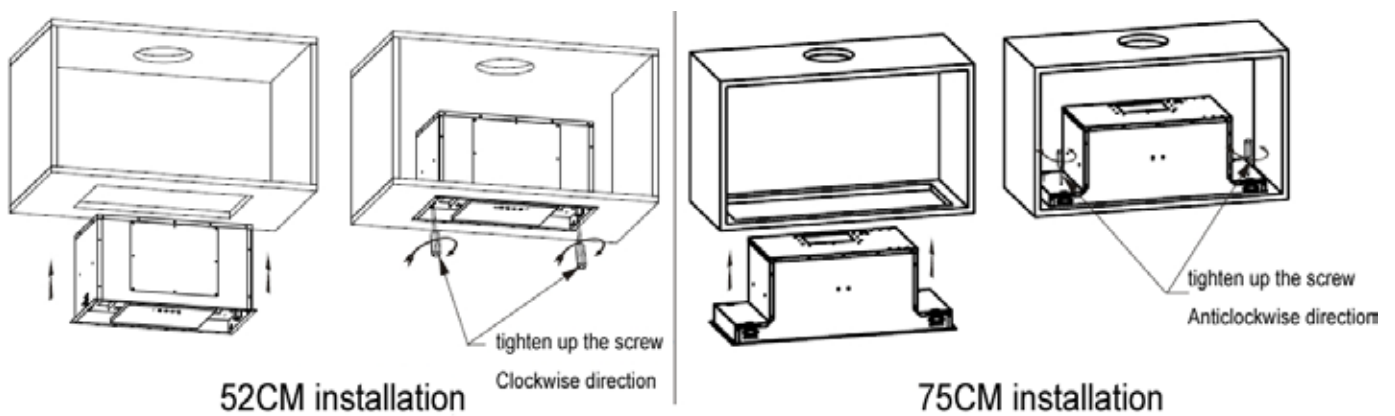
- 3) Unscrew the screws on the right and left light panel by screwdriver, pull out the light wire, and take down the light panel. Pic 2.
- 4) Put the hood into the cabinet, tighten up the screws by screwdriver, and make sure the hood was fixed. Pic 3.
- 5) Assemble the light wire and the light panel by screw.



Pic 1

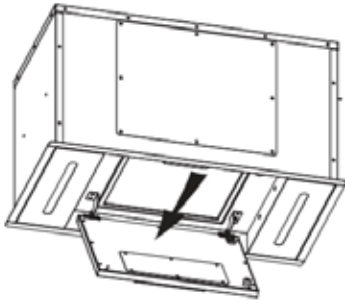


Pic 2

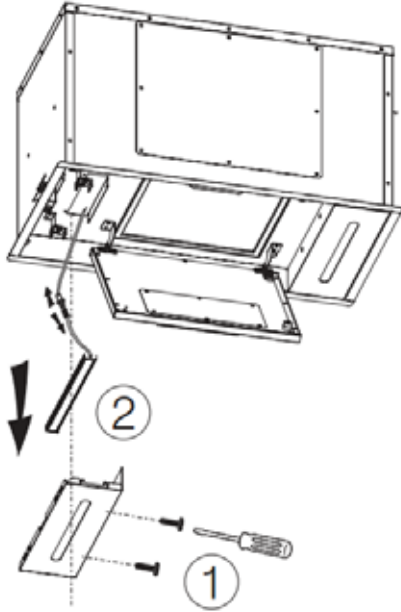


Pic 3

2. LIGHT REPLACEMENT



1) Open the S/S panel.

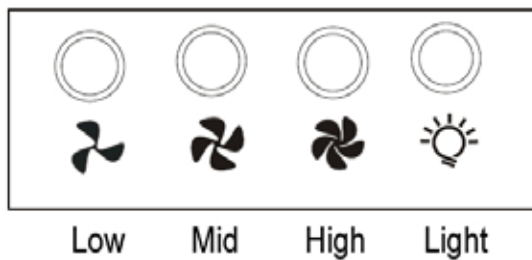


2) Remove the two screws of the lamp panel. Take out the lamp panel. Take out the LED strip from the lamp panel. Unplug the connector at the end of the lamp wire.

3. OPERATION

How to use the control panel. Pic. 5:

- 1) Push the low button, the indicating light on, and the motor runs at low speed. Push it again and the motor will stop.
- 2) Push the middle button, the indicating light on, and the motor runs at mid speed. Push it again and the motor will stop
- 3) Push the high button, the indicating light on, and motor runs on high speed. Push it again and the motor will stop
- 4) Push the light button; the indicating light on, and the two lighting lamps will come on. Push it again and the lamps will turn off.



Pic 5

4. MAINTENANCE

- 1) The cooker hood and its filter mesh should be cleaned regularly in order to keep in good working order. Because the grease filters are made of metal, do not clean the filters with detergents that will corrode metal products.

Clean the filters as below:

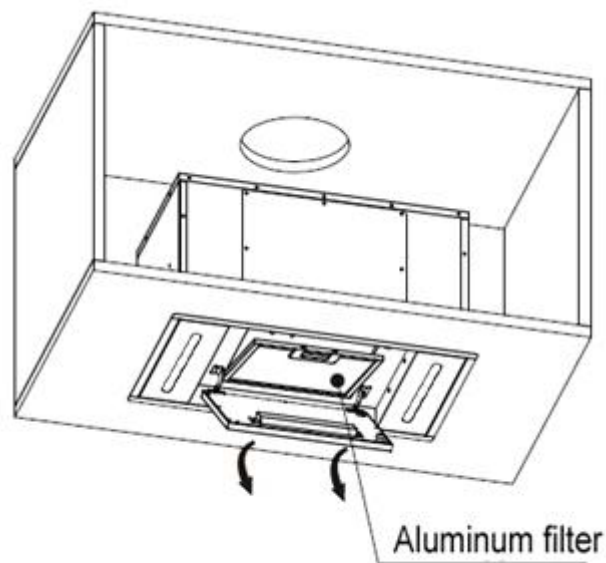
a) Method one:

Put the filter in the water (40°C-50°C), pour in some grease-loosening detergent, soak it for about 2-3 minutes and then clean it with a soft brush. Do not brush too hard, in case to damage the filter.

b) Method two:

Also can put the filter into a dishwasher with detergent for cleaning. Set the temperature at around 60°C.

- 2) To protect the main body from corrosion over a long period of time, the cooker hood should be cleaned with hot water plus soap or non corrosive detergent once a week. Do not use grinding detergent, or it will damage the body.
- 3) Keep the motor and other spare parts free from water, as this will cause damage to the appliance.
- 4) Disassembly and assembly the filter:



Pic 6

5. ATTENTION

- ·Range hood use 220-240V 50Hz power;
- ·Cut off the power when u clean;
- ·No fire and roast for the filter;
- ·No detached the filter around, or lead to the filter scatter;
- ·If the plug wire or plug damage, must use the specific flexible wire or get it in service center.

6. CAUTION

- ✧ Keep your children from using the cooker hood.
- ✧ Your cooker hood is for domestic use only, not suitable for barbecue, roast shop and other commercial use.
- ✧ Any installation work must be carried out by a qualified electrician or competent person.
- ✧ The cooker hood and its filter mesh should be cleaned regularly in order to keep in good working order.
- ✧ Before cleaning, always ensure that you have switched your cooker hood off.
- ✧ Clean the cooker hood according to the instruction manual and keep the cooker hood from the danger of burning.
- ✧ No fire for drying your cooker hood.
- ✧ If there is any fault with your cooker hood, please call the service department appointed by agent for servicing.
- ✧ Please keep the room draughty when your cooker hood and gas hob are working.
- ✧ Do not exhaust the gas from cooker hood through the same heated flue which is for the gas from gas hob and other kitchen appliances.

7. ABNORMITY AND SOLUTION

| Fault | Cause | Solution |
|--|---|---|
| Light does not work, but motor work | The bulb damaged | Change bulb |
| | Bulb contact lamp cap bad | Fix or change |
| | Light panel switch damage | Fix or change |
| Light work, but motor does not work | Bulb contact lamp cap | Restart later |
| | Motor bearings damage | Change motor |
| | Motor burn out | Change motor |
| | Motor control switch damage | Fix or change |
| Light does not work, motor does not work | Plug contact outlet bad | Fix or change |
| | Power wire cut off | Change power wire |
| | Switch damage | Fix or change |
| Shake of the body | Wind leaves damage | Change leaves |
| | Motor screw loosen | Screw it tight |
| | Combination screw loosen | Screw it tight |
| | Body hang unfixable | Tight the body |
| Insufficient suction | The distance between the body and the gas top too long | Readjust the distance |
| | Cross-ventilation too strong or too closed in the kitchen | Reduce cross-ventilation or open the window |
| | Exhaust pipe too long | Adjust the length of pipe |
| | Air outlet valve not open | Check the valve if flexible |
| | The outside wind is too strong | No the technical problem |

Distributed by:
Home Appliances Pty. Ltd.
20 Carlotta Street, Artarmon NSW 2064
Tel: 02 9958 3111 **Fax:** 02 9958 3555
Email: info@hapl.com.au
Website: www.hapl.com.au