

MODEL ATT8W



8KG TWIN TUB WASHING MACHINE



PRODUCT INFORMATION

white plastic exterior
8kg washing | 5.5kg spin capacity

MEPS rating: 2 STAR

WELS rating: 3 STAR

- 2 inlet holes for washing and spinning
- 3 control knobs
- 1 inlet hose
- 1 drain hose
- washing time: 15 minutes
- spinning time: 5 minutes
- 6-star Pulsatar & water pump
- washing mode selector (Gentle, Normal and Powerful)
- washing timer knob
- spin timer knob
- safety switch for spin tub
- anti-rust plastic body
- lint filter
- spin-dry basket
- 3-pin 10 amp plug

OVERALL SIZE mm: 755W x 430D x 970H

WASH TUB mm: 390W x 390D x 510H

SPIN TUB mm: Ø245W x 390H



EAN 9347777002303

AR170718

DISCLAIMER

Eurolinx PTY LTD, is continually seeking ways to improve the design specifications, aesthetics and production techniques of its products. As a result alterations to our products and designs take place continually. Whilst every effort is made to produce information and literature that is up to date, this brochure should not be regarded as an infallible guide to the current specifications, nor does it constitute an offer for the sale of any particular product. Product dimensions indicated in our literature is indicative only. Actual product only should be used to define dimension cut outs. Distributors, and retailers are not agents of Eurolinx and are not authorized to bind Eurolinx by any express or implied undertaking or representation.

FOLLOW US ON: [instagram.com/artusi_appliances](https://www.instagram.com/artusi_appliances)

www.linkedin.com/company/eurolinx-pty-ltd-t-a-llve/

Australia National Telephone Number 1300 (694 583) New Zealand Telephone Number 64 3 344 5913
Artusi showroom hours: Tuesday to Friday - 9am-5pm, Saturday - 10am-4pm, Sunday and Monday - closed
* Melbourne showroom hours: Tuesday to Saturday - 10am-4pm

artusi.com.au

NSW & ACT (Head Office)
48-50 Moore Street
Leichhardt
F 02 8569 4699

VIC & SA
1211 Toorak Road
Camberwell
F 03 9809 2155

QLD
1/42 Cavendish Road
Coorparoo
F 07 3397 0850

WA & NT
Unit 10/55 Howe Street
Osborne Park
F 08 9201 9188

TAS
3 Pear Avenue
Derwent Park
F 03 6272 7386

New Zealand
PO Box 11,160
Sockburn Christchurch
F 03 344 5906

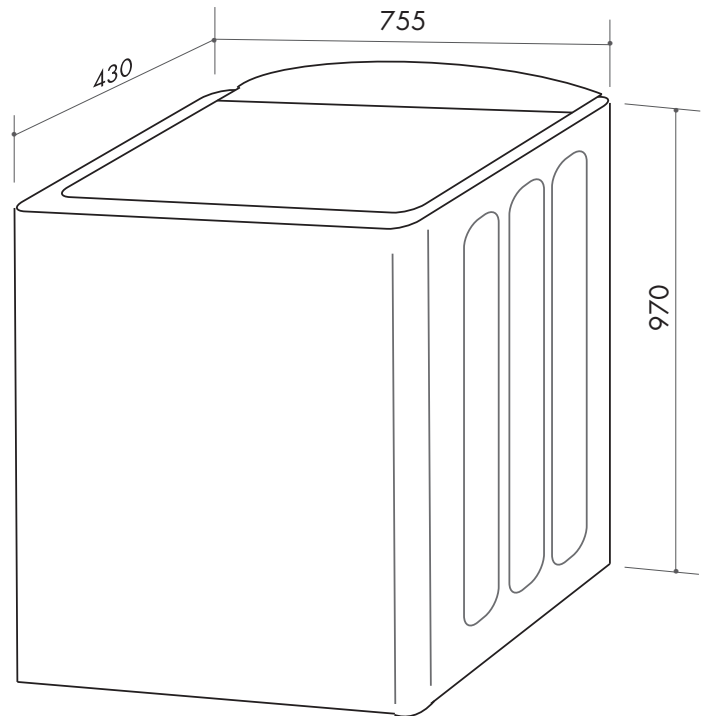
MODEL ATT8W



8KG TWIN TUB WASHING MACHINE



TECHNICAL DIAGRAM



OVERALL SIZE mm: 755W x 430D x 970H
 WASH TUB mm: 390W x 390D x 510H
 SPIN TUB mm: Ø245W x 390H

NB: drawings are not to scale — they are to be used for detailed installation instructions, please refer to user guide.

EAN 9347777002303

AR170718

ATT8W Twin Tub Washing Machine Specifications

Total Electrical Consumption: 2 Star

Total Water Consumption: 3 Star

Electrical Connection: 10AMP GPO

DISCLAIMER

Eurolinx PTY LTD, is continually seeking ways to improve the design specifications, aesthetics and production techniques of its products. As a result alterations to our products and designs take place continually. Whilst every effort is made to produce information and literature that is up to date, this brochure should not be regarded as an infallible guide to the current specifications, nor does it constitute an offer for the sale of any particular product. Product dimensions indicated in our literature is indicative only. Actual product only should be used to define dimension cut outs. Distributors, and retailers are not agents of Eurolinx and are not authorized to bind Eurolinx by any express or implied undertaking or representation.

FOLLOW US ON:  [instagram.com/artusi_appliances](https://www.instagram.com/artusi_appliances)

 www.linkedin.com/company/eurolinx-pty-ltd-t-a-lv/

Australia National Telephone Number 1300 (694 583) New Zealand Telephone Number 64 3 344 5913
 Artusi showroom hours: Tuesday to Friday - 9am-5pm, Saturday - 10am-4pm, Sunday and Monday - closed
 * Melbourne showroom hours: Tuesday to Saturday - 10am-4pm

[artusi.com.au](https://www.artusi.com.au)

NSW & ACT (Head Office)
 48-50 Moore Street
 Leichhardt
 F 02 8569 4699

VIC & SA
 1211 Toorak Road
 Camberwell
 F 03 9809 2155

QLD
 1/42 Cavendish Road
 Coorparoo
 F 07 3397 0850

WA & NT
 Unit 10/55 Howe Street
 Osborne Park
 F 08 9201 9188

TAS
 3 Pear Avenue
 Derwent Park
 P 03 6272 7386

New Zealand
 PO Box 11,160
 Sockburn Christchurch
 F 03 344 5906