

MODEL AO654XP



60CM BUILT-IN PYROLYTIC ELECTRIC OVEN

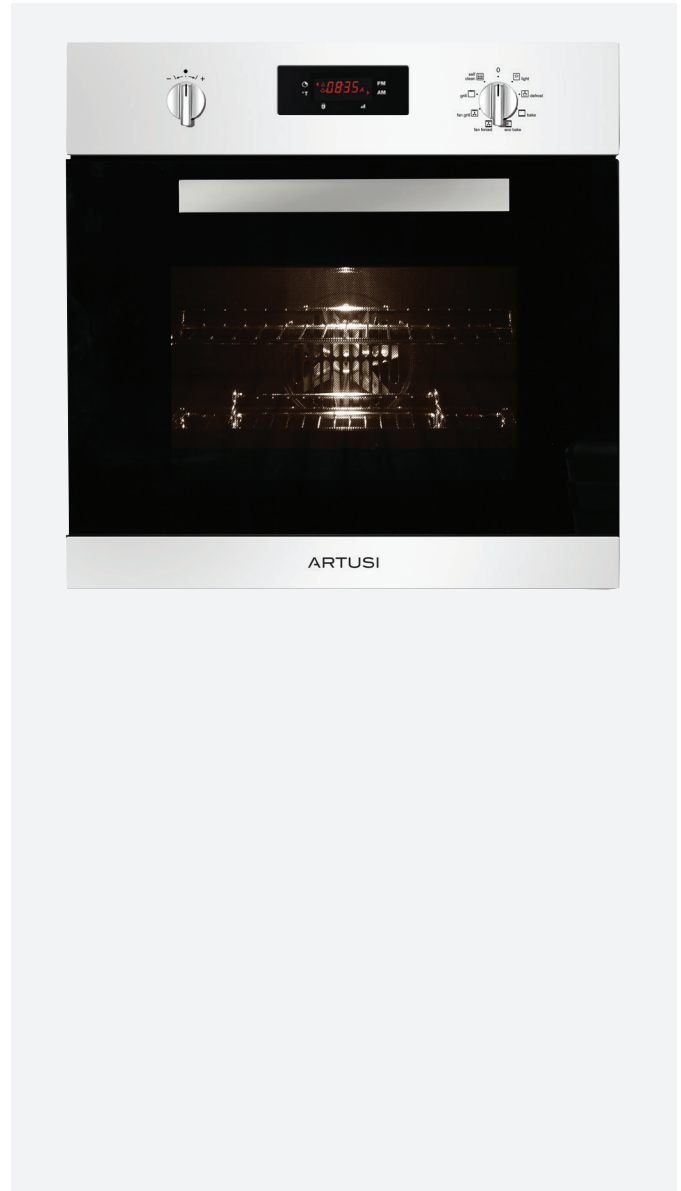


PRODUCT INFORMATION

- stainless steel
- 65 litres

FEATURES

- 10 functions — light, defrost, top and bottom element, eco bake, fan forced, base heat + fan, fan grill, half grill, grill, pyrolytic cleaning
- digital timer with touch controls
- EVER-Clean enamel interior
- thermostat 0–250°C
- knob control
- flat, easy-clean inner glass door
- tangential fan ventilation
- 5 cooking levels



EAN 9347777000361

AR29112018

DISCLAIMER

Eurolinx PTY LTD, is continually seeking ways to improve the design specifications, aesthetics and production techniques of its products. As a result alterations to our products and designs take place continually. Whilst every effort is made to produce information and literature that is up to date, this brochure should not be regarded as an infallible guide to the current specifications, nor does it constitute an offer for the sale of any particular product. Product dimensions indicated in our literature is indicative only. Actual product only should be used to define dimension cut outs. Distributors, and retailers are not agents of Eurolinx and are not authorized to bind Eurolinx by any express or implied undertaking or representation.

FOLLOW US ON: [instagram.com/artusi_appliances](https://www.instagram.com/artusi_appliances)

www.linkedin.com/company/eurolinx-pty-ltd-t-a-lve/

Australia National Telephone Number 1300 (694 583) New Zealand Telephone Number 64 3 344 5913
 Artusi showroom hours: Tuesday to Friday - 9am-5pm, Saturday - 10am-4pm, Sunday and Monday - closed
 * Melbourne showroom hours: Tuesday to Saturday - 10am-4pm

artusi.com.au

NSW & ACT (Head Office)
 48-50 Moore Street
 Leichhardt
 F 02 8569 4699

VIC & SA
 1211 Toorak Road
 Camberwell
 F 03 9809 2155

QLD
 1/42 Cavendish Road
 Coorparoo
 F 07 3397 0850

WA & NT
 Unit 10/55 Howe Street
 Osborne Park
 F 08 9201 9188

TAS
 3 Pear Avenue
 Derwent Park
 P 03 6272 7386

New Zealand
 PO Box 11,160
 Sockburn Christchurch
 F 03 344 5906

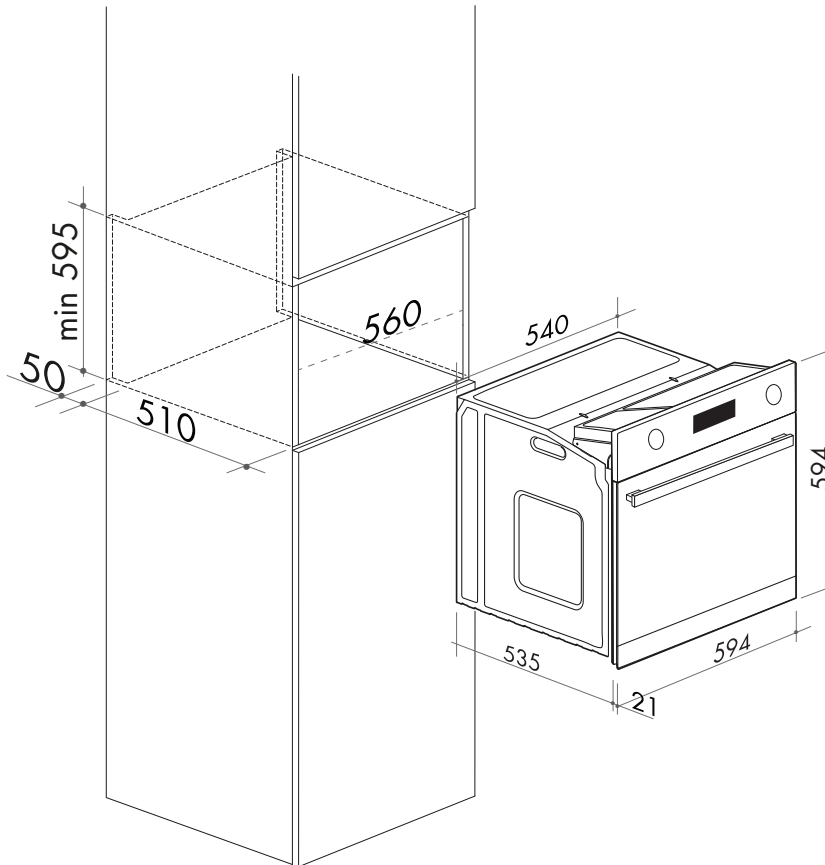
MODEL AO654XP



60CM BUILT-IN PYROLYTIC ELECTRIC OVEN



TECHNICAL DIAGRAM



NB: drawings are not to scale — they are to be used for detailed installation instructions, please refer to user guide.

EAN 9347777000361

AR29112018

DISCLAIMER

Eurolinx PTY LTD, is continually seeking ways to improve the design specifications, aesthetics and production techniques of its products. As a result alterations to our products and designs take place continually. Whilst every effort is made to produce information and literature that is up to date, this brochure should not be regarded as an infallible guide to the current specifications, nor does it constitute an offer for the sale of any particular product. Product dimensions indicated in our literature is indicative only. Actual product only should be used to define dimension cut outs. Distributors, and retailers are not agents of Eurolinx and are not authorized to bind Eurolinx by any express or implied undertaking or representation.

AO654XP 60cm built-in pyrolytic electric oven
3.5kW/hr total electrical consumption
15 AMP electrical connection, hard wired

FOLLOW US ON:  [instagram.com/artusi_appliances](https://www.instagram.com/artusi_appliances)

 www.linkedin.com/company/eurolinx-pty-ltd-t-a-ilve/

Australia National Telephone Number 1300 (694 583) New Zealand Telephone Number 64 3 344 5913
Artusi showroom hours: Tuesday to Friday - 9am-5pm, Saturday - 10am-4pm, Sunday and Monday - closed
* Melbourne showroom hours: Tuesday to Saturday - 10am-4pm

artusi.com.au

NSW & ACT (Head Office)
48-50 Moore Street
Leichhardt
F 02 8569 4699

VIC & SA
1211 Toorak Road
Camberwell
F 03 9809 2155

QLD
1/42 Cavendish Road
Coorparoo
F 07 3397 0850

WA & NT
Unit 10/55 Howe Street
Osborne Park
F 08 9201 9188

TAS
3 Pear Avenue
Derwent Park
F 03 6272 7386

New Zealand
PO Box 11,160
Sockburn Christchurch
F 03 344 5906