

# MODEL AMO31X



BUILT-IN OR FREESTANDING MICROWAVE OVEN



## PRODUCT INFORMATION

- stainless steel exterior and interior
- 31 litres

## FEATURES

- stainless steel exterior and interior
- 31 litres
- Easi-tronic operation
- push-button door
- power output 900W
- 315mm tempered glass turntable
- 6 auto cook menus
- 5 power settings
- end-cooking signal
- child safety lock
- LED display
- ATK1 stainless steel trimkit for integration above oven



EAN 9347777000699

AR220119

## DISCLAIMER

Eurolinx PTY LTD, is continually seeking ways to improve the design specifications, aesthetics and production techniques of its products. As a result alterations to our products and designs take place continually. Whilst every effort is made to produce information and literature that is up to date, this brochure should not be regarded as an infallible guide to the current specifications, nor does it constitute an offer for the sale of any particular product. Product dimensions indicated in our literature is indicative only. Actual product only should be used to define dimension cut outs. Distributors, and retailers are not agents of Eurolinx and are not authorized to bind Eurolinx by any express or implied undertaking or representation.

ARTUSI SHOWROOMS ARE OPEN TUESDAY TO FRIDAY FROM 9AM-5PM AND SATURDAYS 10AM-4PM (MELBOURNE TUE-SAT 9.30AM - 4PM)

NSW & ACT  
(HEAD OFFICE)

48 MOORE STREET  
LEICHHARDT

VIC | SA

1211 TOORAK ROAD  
CAMBERWELL

TASMANIA

3 PEAR AVENUE  
DERWENT PARK

QLD

1/42 CAVENDISH ROAD  
COORPAROO

WA | NT

10/55 HOWE STREET  
OSBORNE PARK

NEW ZEALAND

CHRISTCHURCH  
P: 03 344 5913  
ARTUSI.CONZ

P: 1300 649 583

ARTUSI.COM.AU

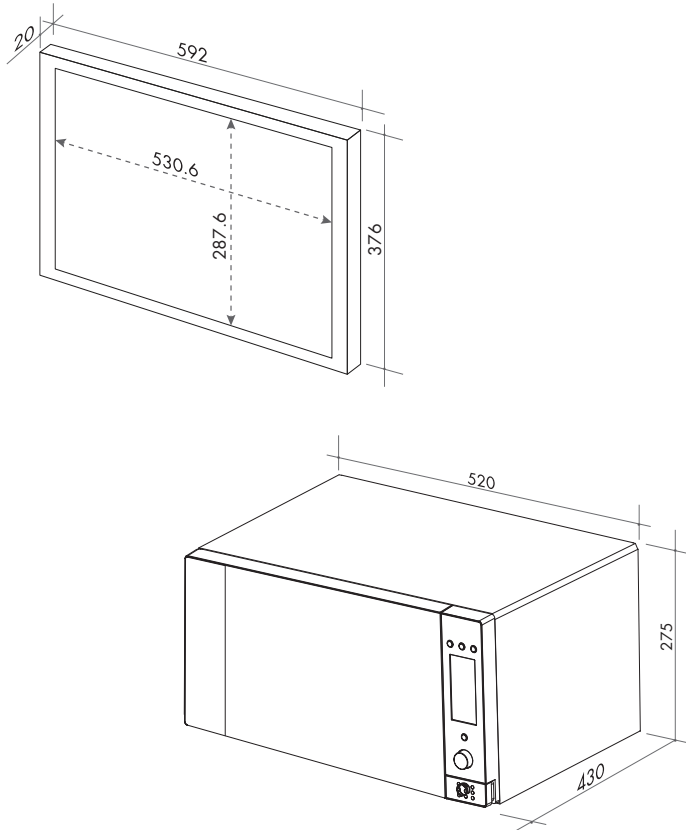
# MODEL AMO31X



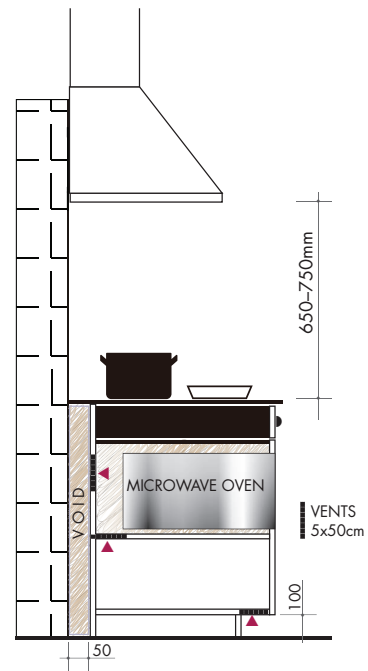
BUILT-IN OR FREESTANDING MICROWAVE OVEN



## TECHNICAL DIAGRAM



VENTILATION REQUIREMENTS FOR UNDERBENCH INSTALLATION



NB: drawings are not to scale — they are to be used for detailed installation instructions, please refer to user guide.

**EAN 9347777000699**

AR220119

### DISCLAIMER

Eurolinx PTY LTD, is continually seeking ways to improve the design specifications, aesthetics and production techniques of its products. As a result alterations to our products and designs take place continually. Whilst every effort is made to produce information and literature that is up to date, this brochure should not be regarded as an infallible guide to the current specifications, nor does it constitute an offer for the sale of any particular product. Product dimensions indicated in our literature is indicative only. Actual product only should be used to define dimension cut outs. Distributors, and retailers are not agents of Eurolinx and are not authorized to bind Eurolinx by any express or implied undertaking or representation.

AMO31X built-in or freestanding microwave oven  
total electrical consumption: 0.9 kW/hr  
10 Amp GPO, 3-pin plug and cord

ARTUSI SHOWROOMS ARE OPEN TUESDAY TO FRIDAY FROM 9AM-5PM AND SATURDAYS 10AM-4PM (MELBOURNE TUE-SAT 9.30AM - 4PM)

NSW & ACT  
(HEAD OFFICE)

48 MOORE STREET  
LEICHHARDT

VIC | SA

1211 TOORAK ROAD  
CAMBERWELL

TASMANIA

3 PEAR AVENUE  
DERWENT PARK

QLD

1/42 CAVENDISH ROAD  
COORPAROO

WA | NT

10/55 HOWE STREET  
OSBORNE PARK

NEW ZEALAND

CHRISTCHURCH  
P. 03 344 5913  
ARTUSI.CONZ