

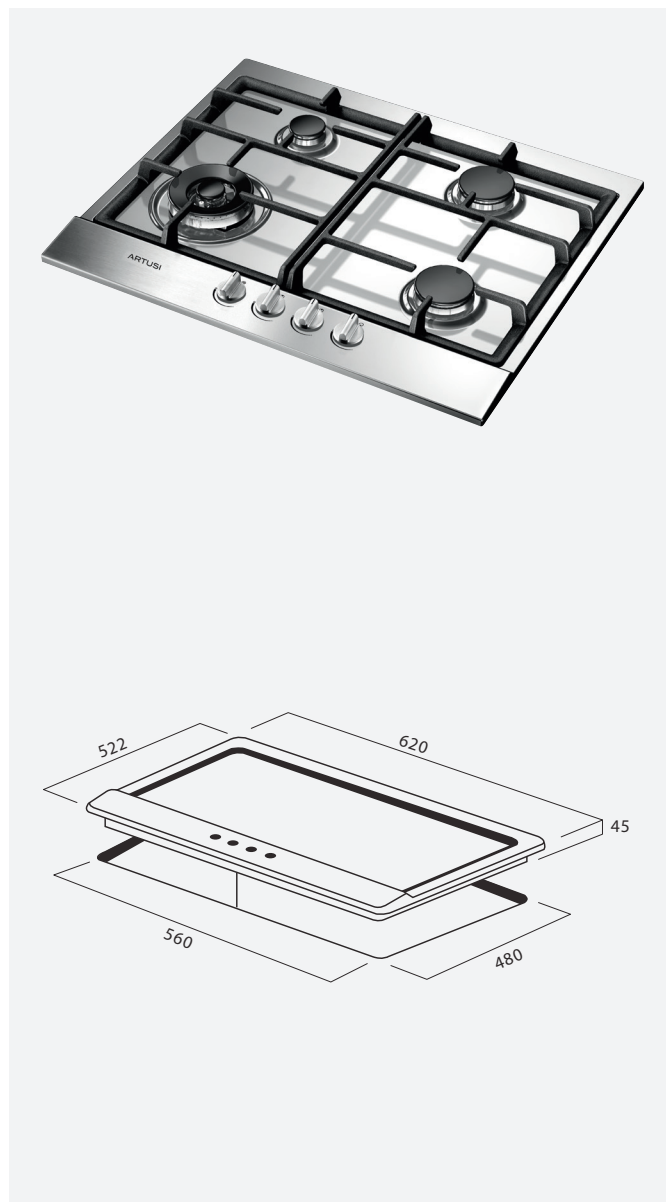
MODEL AGH65X



60CM BUILT-IN MAXIMUS SERIES
GAS COOKTOP

GAS COOKTOP

- Four gas burners
- 60cm wide
- Cast iron trivets and enamel burner caps
- Stainless steel surface
- 1 Large/WOK burner - 3.5kW
- 2 Medium Burners - 1.75kW
- 1 Simmer Burner - 1.0kW
- All burners feature flame failure device
- Single touch ignition
- WOK cradle/support
- Italian made Defendi burner
- Low line square design profile
- 24 month manufacturer warranty
- Made in Italy



AGH6 Series Hob Specifications

Total Gas Consumption: 28.8 mj/H

Electrical Connection: 10AMP GPO

DISCLAIMER

Eurolinx PTY LTD, is continually seeking ways to improve the design specifications, aesthetics and production techniques of its products. As a result alterations to our products and designs take place continually. Whilst every effort is made to produce information and literature that is up to date, this brochure should not be regarded as an infallible guide to the current specifications, nor does it constitute an offer for the sale of any particular product. Product dimensions indicated in our literature is indicative only. Actual product only should be used to define dimension cutouts. Distributors, and retailers are not agents of Eurolinx and are not authorized to bind Eurolinx by any express or implied undertaking or representation.

ARTUSI OFFICES ARE OPEN DAILY FROM 9AM-5PM AND SATURDAYS 10AM-4PM

NSW & ACT (HEAD OFFICE)
48-50 MOORE STREET
LEICHHARDT
F 02 8569 4699

VIC, TAS & SA
1211 TOORAK ROAD
CAMBERWELL
F 03 9809 2155

QLD
1/42 CAVENDISH ROAD
COORPAROO
F 07 3397 0850

WA & NT
UNIT 10/55 HOWE STREET
OSBORNE PARK
F 08 9201 9188

NZ
PO BOX 11160
SOCKBURN CHRISTCHURCH
F 03 344 5906

P: 1300 649 583

ARTUSI.COM.AU