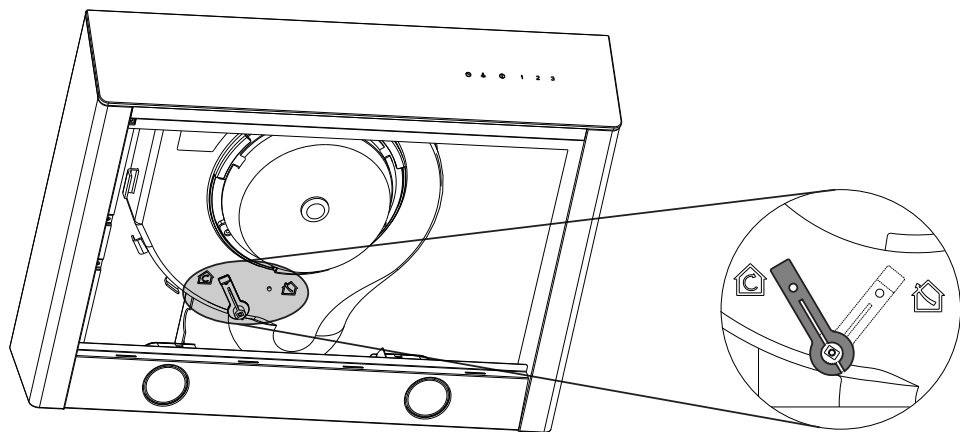
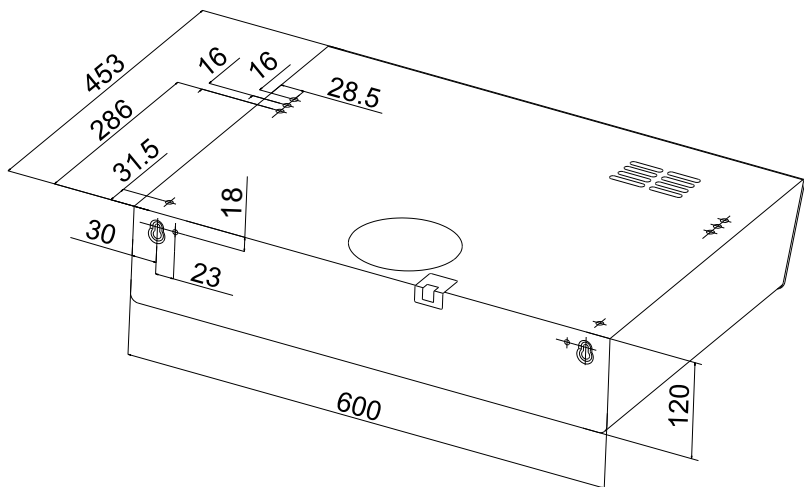
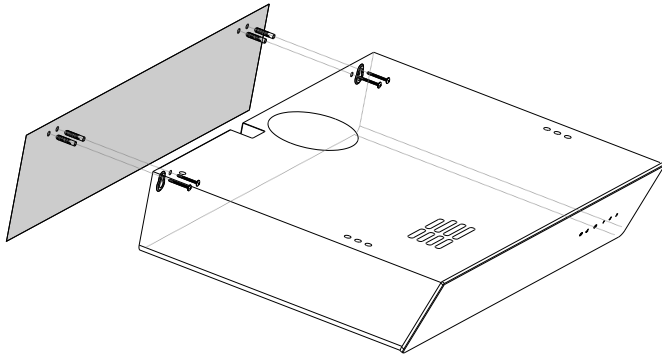




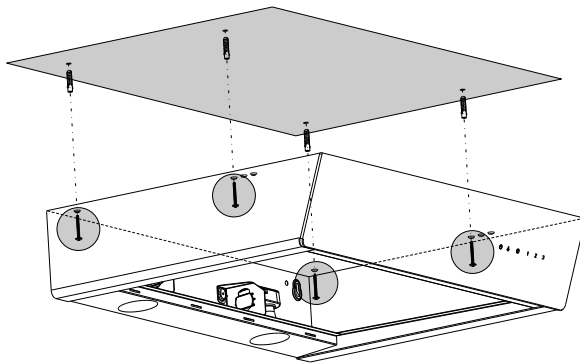
INSTRUCTION MANUAL  
& USER GUIDE FOR AFR60  
SLIDE OUT RANGE HOOD

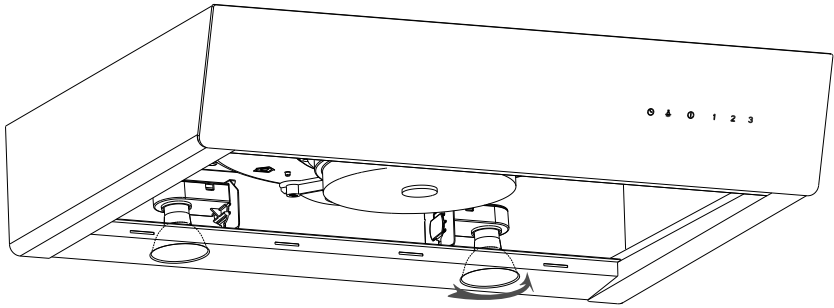


## Rear side fixing



## top side fixing





## INSTALLATION

The appliance has been designed as exhausting hood (external exhausting) or filtering one (internal recirculation).

Warning: consult local regulations regarding fumes outlets. Do not connect the hood to a fume, ventilation or hot air duct. Confirm that room ventilation is appropriate with the local authorities. Make sure the maximum air extraction flow rate for the appliances in the room does not exceed 4 Pa (0.04 mbar). The room must have adequate ventilation if an extractor hood is used simultaneously with appliances that run on gas or other fuels. The evacuated air must be extracted through ducts that are used for evacuating fumes from appliances that run on gas or other fuels. Regulations regarding air extraction must be complied with. Use a rigid PVC pipe with a min. Ø 120 mm to evacuate fumes outside. The above restrictions do not apply to hoods with no fumes outlet to outside (recirculation system with activated charcoal filter). Install the hood in line with the instructions on the template. Install the hood in line with the instructions on the template provided. For gas cooking appliances only: the minimum distance to the hood must be at least 65 cm.

The appliance must be placed in such a way, that the supply plug is accessible.

## ELECTRICAL CONNECTION

The appliance is built in class II, so no wire has to be connected with the earth terminal.

Connect the cord to a socket or double pole switch

The manufacturer shall not be liable for failure to observe all safety regulations in force for the correct and normal operation of electrical parts.

Warning: the hood may stop working during an electrostatic discharge (e.g. lightning). This involves no risk of damage. Switch off the electricity supply to the hood and reconnect after one minute.

This appliance can be used by children aged from 8 years and above and persons with reduced physical, sensory or mental capabilities or lack of experience and knowledge if they have been given supervision or instruction concerning use of the appliance in a safe way and understand the hazards involved. Children shall not play with the appliance. Cleaning and user maintenance shall not be made by children without supervision.

To avoid the risk of fire, clean the metal filter regularly, permanently control pans containing hot oil and do not flame food underneath the hood.

Do not use the hood if it shows signs of damage or imperfection. Contact an official distributor or authorised dealer.

Accessible parts may heat up when using cooking appliances.

ATTENTION: should the lamps not work, make sure they are well tightened MOUNTING OF THE HOOD IN THE LOWER PART OF AN HANGING CUPBOARD

Drill 4 holes of 6 mm diameter at the bottom of the hanging cupboard as showed in the drawing fig. 1.

Fill the hood in the cabinet with 4 screws, which are appropriate to that kind of cupboard.

The appliance is provided with 2 air outlets, one which is in the upper part and the other on the back. Both of them can be used according to your requirements.

## MOUNTING OF THE HOOD ON THE WALL

Drill 2 holes on the wall, which correspond to the position (B) of the drawing fig-1.

Hang the hood on the 2 holes by using the screws and dowels with expanding plug, which are appropriate for that kind of wall (ex.: concrete, plasterboard, etc.). Fix definitely the hood through the 2 security holes (Z).

## CHANGING FROM EXHAUSTING HOOD TO THE FILTERING ONE

In order to make this change (possible also after the use of the exhausting system), demand a set of carbon filters to your dealer. Active carbon filters are necessary to deplete the air, that will be released in the room. Filters are not washable: they cannot be regenerated and have to be replaced at most every 4 months. The saturation of the activated charcoal depends on the more or less prolonged use of the hood, on the type of cooking and on the regularity of cleaning the grease filter.

## USE AND MAINTENANCE

Touch panel ECOTC

1- Lighting on and off.

2- Extractor fan speed - button: speed 1, 2 and 3 Press the current speed again to switch off the extractor fan.

Timer: the extractor fan works for 5 min. at the current speed and another 5 min. at each of the lower speeds until it stops. To cancel the timer: press the chosen speed button once.

It is advisable to let the appliance work for 15 minutes after the cooking of the food in order to remove completely the fumes. The effective functioning of the hood depends on the regularity with which the maintenance operations are carried out. In particular those of the anti-grease filter.

The anti-grease filter has the function of catching the particles suspended on the air, so it is subject to get clogged at various intervals, according to the use of the appliance. In any case at most after two months, it is necessary to clean the filter by doing the following operations:

- Remove the filter and wash it with a solution of water and neutral liquid detergent, allowing the dirt to soften. Do not use polish.
- rinse thoroughly with lukewarm water, allow to dry without twisting and apply it to the grill.

In case the washing instructions of the filter should not be followed, it could burst into flames.

Clean frequently all the deposits on the fan and on all the other surfaces. using a cloth moistened by methylated spirits or neutral and not abrasive fluid detergent.

## WARNING!!

UNDER CERTAIN CIRCUMSTANCES DOMESTIC APPLIANCES MAY BE DANGEROUS.

- Do not check filters with hood working.
- Do not touch the lamps after a prolonged use of the appliance.
- No food must be cooked flame underneath the hood.
- The use of an unprotected flame is dangerous for the filters and could cause fires.
- Watch constantly the fried food in order to avoid that the cooking oil flares up.
- Before performing any maintenance operation, disconnect the hood from the mains.

The Manufacturers refuse to accept any responsibility for eventual damages. because of failure to observe the above instructions.

On cooker hoods equipped with tungsten lamps, the lights should only be used during operation of the motor. They should not be left on permanently and used as a light source.

## Legal information

The manufacturer:

- Declares that this product meets all basic requirements regarding low-voltage electrical equipment established in Directive 2006/95/EC of 12 December 2006 and electro-magnetic compatibility established in Directive 2004/108/EC of 15 December 2004.

- Is not responsible for any failure to observe the instructions given in this manual and current safety regulations for the correct use of the equipment.

- Reserves the right to make any modifications to the equipment or this manual without prior notice.

Contact our official distributor should you require technical assistance or additional information on our products.

# Warranty Card

**Worldwide Appliances Pty Limited**

**A.B.N. 45868077422**

**Distributed by Eurolinx Pty Ltd**

**Office:**

**48-50 Moore Street, Leichhardt N.S.W  
2040 Post:**

**Locked Bag 3000, Annandale, N.S.W 2038**

**P: 1300 694 583**

## **WARRANTY REGISTRATION**

Your ongoing satisfaction with your artusi product is important to us. We ask that you complete the enclosed Warranty Registration Card and return it to us so that we have a record of the artusi product purchased by you.

## **PRIVACY**

Worldwide Appliances respects your privacy and is committed to handling your personal information in accordance with the National Privacy Principles and the Privacy Act 1988 (Cth). A copy of the Worldwide Appliances Privacy Policy is available at [www.artusi.com.au](http://www.artusi.com.au). Worldwide Appliances will not disclose any personal information set out in the Warranty Registration Card ("Personal Information") without your consent unless required by:

1. law;
2. any Worldwide Appliances related company;
3. any service provider which provide services to artusi or assist artusi in providing services (including repair and warranty services) to customers. Our purpose in collecting the Personal Information is to keep a record of the artusi product purchased by you, in order to provide a better warranty service to you in the unlikely event that there is a problem with your artusi product. Worldwide Appliances may contact you at any one or more of the address, email address or telephone numbers set out in the Warranty Registration Card. Please contact artusi on 1300 694 583 should you not wish to be contacted by Worldwide Appliances.

## **WARRANTY**

### **1. Warranty**

Worldwide Appliances warrants that each artusi product will remain, for a period of either 12 months or 24 months of warranty. All Warranties are valid from the original date of purchase, And warranty claims must be accompanied by the proof of purchase.

### **24 months warranty products:**

All Built-in Appliances – Limited to Ovens, Gas, Induction and Electric Cooktops, and All Ranges. Freestanding Cookers - Gas and Electric Models (900mm Width).

Dishwashers - Freestanding, Fully Integrated, Semi Integrated and built-in. All Wine coolers. All Dryers. Freestanding

Cookers - Gas and Electric Models in 50cm, 54cm and 60cm Widths

Portable Appliances\* – Benchtop Models and Portable Gas Models

### **2. What is not Covered by the Warranty.**

The Warranty does not apply if an artusi product is defective by a factor other than a defect arising in the manufacture of the artusi product, including but not limited to:

- (a) damage through misuse (including failure to maintain, service or use with proper care), neglect, accident or ordinary wear and tear (including deterioration of parts and accessories and glass breakage);
- (b) use for purpose for which the artusi product was not sold or designed;
- (c) use or installation which is not in accordance with any specified instructions for use or installation;
- (d) use or operation after a defect has occurred or been discovered;
- (e) damage through freight, transportation or handling in transit (other than when Worldwide Appliances is responsible);
- (f) damage through exposure to chemicals, dusts, residues, excessive voltage, heat, atmospheric conditions or other forces or environmental factors outside the control of Worldwide Appliances;
- (g) repair, modification or tampering by the purchaser or any person other than Worldwide Appliances, an employee of Worldwide Appliances or an authorised artusi service contractor\*;
- (h) use of parts, components or accessories which have not been supplied or specifically approved by artusi.
- (i) damage to surface coatings caused by cleaning or maintenance using products not recommended in the artusi product handbook provided to the purchaser upon purchase of the artusi product;
- (j) damage to the base of an electric oven due to items having been placed on the base of the oven cavity or covering the base, such as aluminium foil (this impedes the transfer of heat from the element to the oven cavity and can result in irreparable damage); or
- (k) damages, dents or other cosmetic imperfections not affecting the performance of the artusi in respect of an artusi product purchased as a "factory second" or from display

The Warranty does not extend to light globes used in artusi products.

### **3. Domestic Use**

Each artusi product is made for domestic use. This Warranty may not extend to artusi products used for commercial purposes.

**Continued over...**

# Warranty Card continued

## 4. Time for Claim under the Warranty

You must make any claim under this Warranty within twenty eight (28) days after the occurrence of an event which gives rise to a claim pursuant to the Warranty, by booking a service call on the telephone number below.

## 5. Proof of Purchase

Customers must retain proof of purchase in order to be eligible to make a warranty claim in respect of an artusi product.

## 6. Claiming under the Warranty

Customers will bear the cost of claiming under this Warranty unless Worldwide Appliances determines the expenses are reasonable, in which case the customer must claim those expenses by providing written evidence of each expense to Worldwide Appliances at the address on the Warranty Registration Card.

## 7. Statutory Rights

(a) These terms and conditions do not affect your statutory rights.

(b) The limitations on the Warranty set out in this document do not exclude or limit the application of the consumer guarantees set out in the Act or any other equivalent or corresponding legislation in the relevant jurisdiction where to do so would:

(i) contravene the law of the relevant jurisdiction; or

(ii) cause any part of the Warranty to be void.

(c) Worldwide Appliances excludes indirect or consequential loss of any kind (including, without limitation, loss of use of the artusi product) and (other than expressly provided for in these terms and conditions) subject to all terms,

conditions and warranties implied by custom, the general law, the Act or other statute.

(d) The liability of Worldwide Appliances to you for a breach of any express or non-excludable implied term, condition or warranty is limited at the option of Worldwide Appliances to:

(i) replacing or repairing the defective part of the artusi product;

(ii) paying the cost of replacing or repairing the defective part of the artusi product;

(iii) replacing the artusi product; or

(iv) paying the cost of replacing the artusi product.

(e) Our goods come with guarantees that cannot be excluded under the Australian Consumer Law. You are entitled to a replacement or refund for a major failure and for compensation for any other reasonably foreseeable loss or damage. You are also entitled to have the goods repaired or replaced if the goods fail to be of acceptable quality and the failure does not amount to a major failure.

## 8. Defects

Any part of an artusi product deemed to be defective and replaced by Worldwide Appliances is the property of Worldwide Appliances. Worldwide Appliances reserves the right to inspect and test artusi products in order to determine the extent of any defect and the validity of a claim under the Warranty.

**All warranty service calls must be booked via the customer care department. The team can be contacted on 1 300 85 64 11 option 1 or [customercare@eurolinx.com.au](mailto:customercare@eurolinx.com.au)**

**01082016**

## Warranty Card tear off

WARRANTY REGISTRATION CARD  
01052016

Please complete and send to ARTUSI at: REPLY PAID 83617  
LEICHHARDT NSW 2040

Last Name:		First Name:	
Address:			
State:	Postcode:	Email:	
Home Phone:		Mobile:	
Purchase Date:    /    /		(Please attach proof of purchase to validate warranty)	

MODEL NUMBER	SERIAL NUMBER <small>(if you cannot locate the serial number please call ARTUSI on 1300 856 411)</small>
1	
2	
3	
4	

01082016

Australia National Telephone Number 1300 694 583 New Zealand Telephone Number 0508 458 369  
ILVE showrooms are open daily from 9am-5pm and Saturdays 10am-4pm

[artusi.com.au](http://artusi.com.au)

---

NSW & ACT (Head Office)  
48-50 Moore Street  
Leichhardt  
F 02 8569 4699

VIC & SA  
1211 Toorak Road  
Camberwell  
F 03 9809 2155

QLD  
1/42 Cavendish Road  
Coorparoo  
F 07 3397 0850

WA & NT  
Unit 10/55 Howe Street  
Osborne Park  
F 08 9201 9188

TAS (Crisp Ikin)  
3 Pear Avenue Derwent  
Park, 7009  
P 03 6272 7386

New Zealand  
PO Box 11.160  
Sockburn Christchurch  
F 03 344 5906