

MODEL AFGG54W



54CM GAS/GAS FREESTANDING COOKER



PRODUCT INFORMATION

- gas oven capacity: 60 litres (3.0kw/H burner)
- brilliant white

OVEN

- single gas oven
- mechanical cooking timer
- oven temperature range 150–265°C (8 temperature options)
- integrated ignition
- triple-glazed glass door (oven)
- cooling fan
- oven light
- easy to clean full glass inner door
- removable oven cavity floor
- 5 cooking levels
- active enamel interior
- baking tray + 2 wire oven racks
- storage drawer

COOKTOP

- 1 WOK burner 3.5 kW/hr
- 2 semi-rapid 1.75 kW/hr
- 1 auxiliary 1.0 kW/hr
- enamel trivets and burner caps
- flame failure device fitted to each burner
- automatic ignition
- single-piece 4 gas burner pressed hob



Oven Accessories

- collection tray
- wire oven racks
- grill rack

Oven Gas Burner

EAN 9347777002259

AR130918

DISCLAIMER

Eurolinx PTY LTD, is continually seeking ways to improve the design specifications, aesthetics and production techniques of its products. As a result alterations to our products and designs take place continually. Whilst every effort is made to produce information and literature that is up to date, this brochure should not be regarded as an infallible guide to the current specifications, nor does it constitute an offer for the sale of any particular product. Product dimensions indicated in our literature is indicative only. Actual product only should be used to define dimension cut outs. Distributors, and retailers are not agents of Eurolinx and are not authorized to bind Eurolinx by any express or implied undertaking or representation.

ARTUSI SHOWROOMS ARE OPEN TUESDAY TO FRIDAY FROM 9AM-5PM AND SATURDAYS 10AM-4PM (MELBOURNE TUE-SAT 9.30AM - 4PM)

NSW & ACT
(HEAD OFFICE)

48 MOORE STREET
LEICHHARDT

VIC | SA

1211 TOORAK ROAD
CAMBERWELL

TASMANIA

3 PEAR AVENUE
DERWENT PARK

QLD

1/42 CAVENDISH ROAD
COORPAROO

WA | NT

10/55 HOWE STREET
OSBORNE PARK

NEW ZEALAND

CHRISTCHURCH
P. 03 344 5913
ARTUSI.CONZ

P: 1300 649 583

ARTUSI.COM.AU

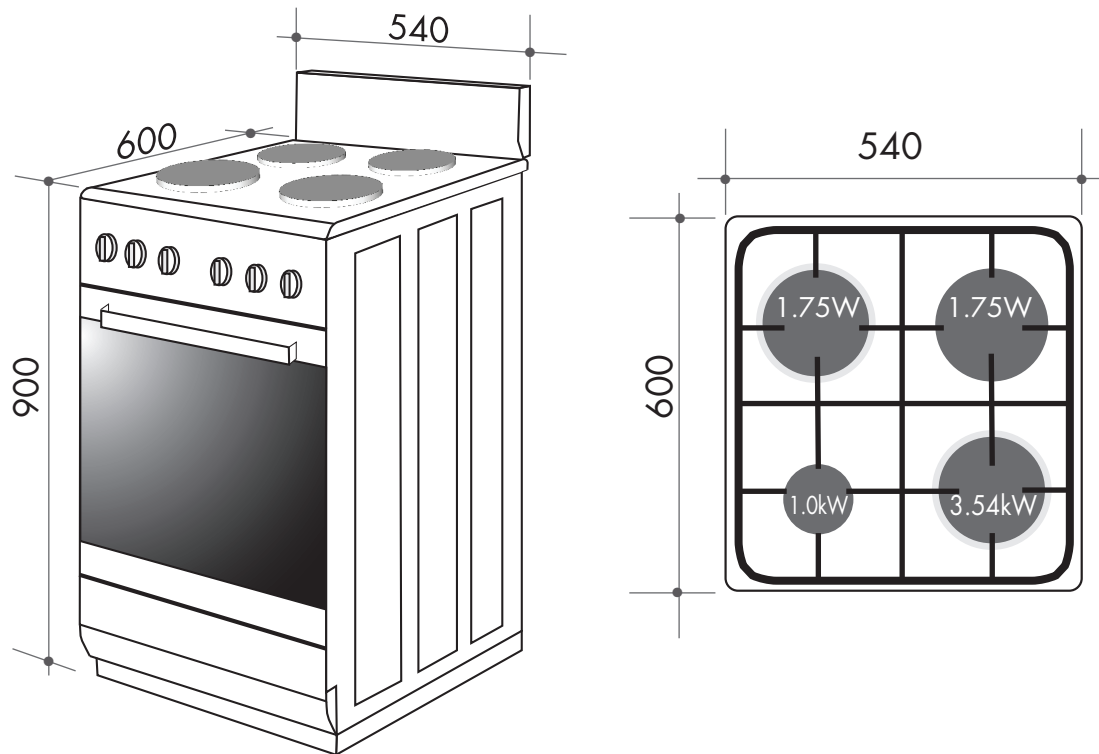
MODEL AFGG54W



54CM GAS/GAS FREESTANDING COOKER



TECHNICAL DIAGRAM



NB: drawings are not to scale — they are to be used for detailed installation instructions, please refer to user guide.

EAN 9347777002259

AR130918

DISCLAIMER

Eurolinx PTY LTD, is continually seeking ways to improve the design specifications, aesthetics and production techniques of its products. As a result alterations to our products and designs take place continually. Whilst every effort is made to produce information and literature that is up to date, this brochure should not be regarded as an infallible guide to the current specifications, nor does it constitute an offer for the sale of any particular product. Product dimensions indicated in our literature is indicative only. Actual product only should be used to define dimension cut outs. Distributors, and retailers are not agents of Eurolinx and are not authorized to bind Eurolinx by any express or implied undertaking or representation.

AFGG54W Freestanding Cooker

Power Consumption: 0.5 kW/h

Gas Consumption: 39.6 mj/h (natural gas)

Electrical Connection: 10 AMP GPO plug

1.5m plug and lead supplied

ARTUSI SHOWROOMS ARE OPEN TUESDAY TO FRIDAY FROM 9AM-5PM AND SATURDAYS 10AM-4PM (MELBOURNE TUE-SAT 9.30AM - 4PM)

NSW & ACT
(HEAD OFFICE)

48 MOORE STREET
LEICHHARDT

VIC | SA

1211 TOORAK ROAD
CAMBERWELL

TASMANIA

3 PEAR AVENUE
DERWENT PARK

QLD

1/42 CAVENDISH ROAD
COORPAROO

WA | NT

10/55 HOWE STREET
OSBORNE PARK

NEW ZEALAND

CHRISTCHURCH
P. 03 344 5913
ARTUSI.CONZ

P: 1300 649 583

ARTUSI.COM.AU