

# MODEL AFG911W


**ARTUSI**  
 THE ART OF LIVING

90CM FREESTANDING COOKER



## PRODUCT INFORMATION

- gloss white
- oven capacity: 121 litres

### OVEN

- 8 functions — light, defrost, top and bottom element, fan assisted, fan forced, bakers function, fan grill, static grill
- triple-glazed glass door
- easy-to-clean flat glass inner door
- fan forced
- electric grill
- removable oven cavity floor
- 5 cooking levels
- baking tray + 3 wire oven racks
- removable feet
- drop-down storage compartment

### HOB

- cast-iron trivets and burner caps
- cast-iron wok cradle
- automatic electronic ignition
- left-side WOK placement
- single-piece pressed hob for easy cleaning
- deep pressed hob



	natural gas kW/hr
• 2 x semi-rapid	2.6
• 1 x auxiliary	1.1
• 1 x rapid	2.7
• 1 x triple-crown wok	4.2

**EAN 9347777001160**

AR071118

### DISCLAIMER

Eurolinx PTY LTD, is continually seeking ways to improve the design specifications, aesthetics and production techniques of its products. As a result alterations to our products and designs take place continually. Whilst every effort is made to produce information and literature that is up to date, this brochure should not be regarded as an infallible guide to the current specifications, nor does it constitute an offer for the sale of any particular product. Product dimensions indicated in our literature is indicative only. Actual product only should be used to define dimension cut outs. Distributors, and retailers are not agents of Eurolinx and are not authorized to bind Eurolinx by any express or implied undertaking or representation.

**FOLLOW US ON:**  [instagram.com/artusi\\_appliances](https://www.instagram.com/artusi_appliances) [www.linkedin.com/company/eurolinx-pty-ltd-t-a-llve/](https://www.linkedin.com/company/eurolinx-pty-ltd-t-a-llve/)

Australia National Telephone Number 1300 (694 583) New Zealand Telephone Number 64 3 344 5913  
 Artusi showroom hours: Tuesday to Friday - 9am-5pm, Saturday - 10am-4pm, Sunday and Monday - closed  
 \* Melbourne showroom hours: Tuesday to Saturday - 10am-4pm

[artusi.com.au](http://artusi.com.au)

**NSW & ACT (Head Office)**  
 48-50 Moore Street  
 Leichhardt  
 F 02 8569 4699

**VIC & SA**  
 1211 Toorak Road  
 Camberwell  
 F 03 9809 2155

**QLD**  
 1/42 Cavendish Road  
 Coorparoo  
 F 07 3397 0850

**WA & NT**  
 Unit 10/55 Howe Street  
 Osborne Park  
 F 08 9201 9188

**TAS**  
 3 Pear Avenue  
 Derwent Park  
 P 03 6272 7386

**New Zealand**  
 PO Box 11,160  
 Sockburn Christchurch  
 F 03 344 5906

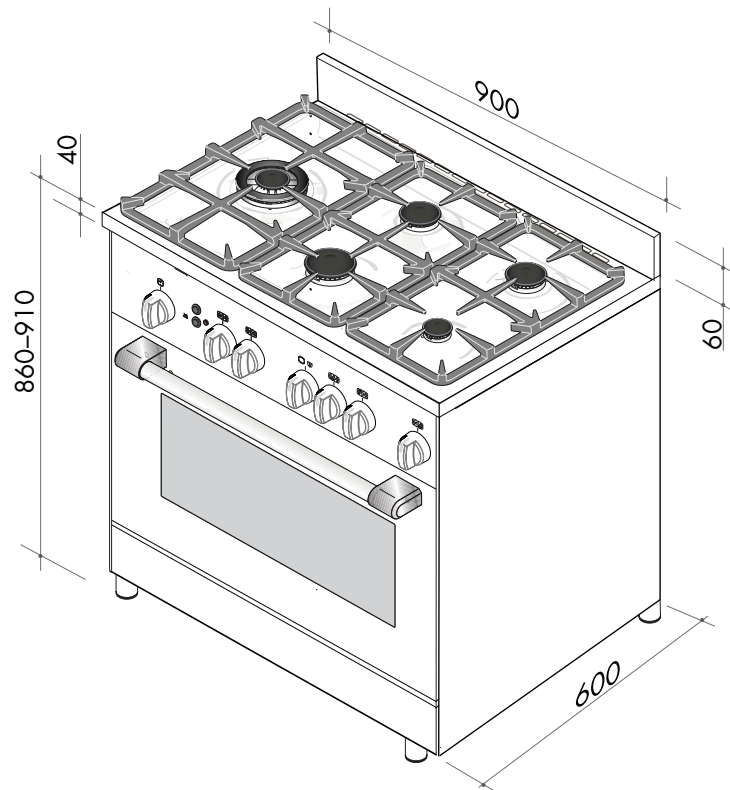
# MODEL AFG911W



90CM FREESTANDING COOKER



## TECHNICAL DIAGRAM



NB: drawings are not to scale — they are to be used for detailed installation instructions, please refer to user guide.

**EAN 9347777001160**

AR071118

### DISCLAIMER

Eurolinx PTY LTD, is continually seeking ways to improve the design specifications, aesthetics and production techniques of its products. As a result alterations to our products and designs take place continually. Whilst every effort is made to produce information and literature that is up to date, this brochure should not be regarded as an infallible guide to the current specifications, nor does it constitute an offer for the sale of any particular product. Product dimensions indicated in our literature is indicative only. Actual product only should be used to define dimension cut outs. Distributors, and retailers are not agents of Eurolinx and are not authorized to bind Eurolinx by any express or implied undertaking or representation.

AFG911W 90cm Freestanding cooker  
total gas consumption: 13.2 kW/hr  
total electrical consumption: 3.6 kW/h  
electrical connection: hard wired

**FOLLOW US ON:**  [instagram.com/artusi\\_appliances](https://www.instagram.com/artusi_appliances)

 [www.linkedin.com/company/eurolinx-pty-ltd-t-a-lve/](https://www.linkedin.com/company/eurolinx-pty-ltd-t-a-lve/)

Australia National Telephone Number 1300 (694 583) New Zealand Telephone Number 64 3 344 5913  
Artusi showroom hours: Tuesday to Friday - 9am-5pm, Saturday - 10am-4pm, Sunday and Monday - closed  
\* Melbourne showroom hours: Tuesday to Saturday - 10am-4pm

[artusi.com.au](http://artusi.com.au)

**NSW & ACT (Head Office)**  
48-50 Moore Street  
Leichhardt  
F 02 8569 4699

**VIC & SA**  
1211 Toorak Road  
Camberwell  
F 03 9809 2155

**QLD**  
1/42 Cavendish Road  
Coorparoo  
F 07 3397 0850

**WA & NT**  
Unit 10/55 Howe Street  
Osborne Park  
F 08 9201 9188

**TAS**  
3 Pear Avenue  
Derwent Park  
F 03 6272 7386

**New Zealand**  
PO Box 11,160  
Sockburn Christchurch  
F 03 344 5906