

MODEL ADWSI601X



SEMI-INTEGRATED DISHWASHER



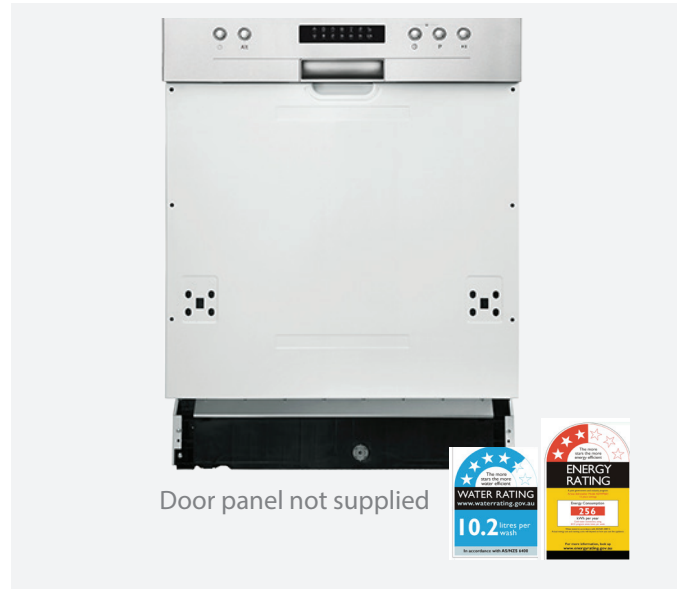
PRODUCT INFORMATION

- door panel supplied and fitted by builder
- stainless steel control panel
- 12 place settings

FEATURES

- 6 wash programs
- push-button functions: Power, Programs, Function, Delay, Child lock, Start/Pause
- 49 dBA
- electronic controls
- flowmeter water sensor
- antiflood device
- delay start 3/6/9/12 hours
- height-adjustable top basket
- rinse aid indicator
- natural drying + Extra drying
- child lock
- VDE inlet hose
- hot (max 90°C) or cold water connection
- inlet hose: 1800mm
- outlet hose: 1400mm

NB: kickplate included



PROGRAM	TYPE	TYPE	CYCLE	DETERGENT pre/main gr	DURATION minutes	ENERGY kW/hr	WATER litres	RINSE AID
intensive		for heaviest soiled loads, eg pots, pans, casserole dishes, and dried-on food	prewash 50°C wash 60°C rinse/rinse/rinse 65°C drying	5/25 (or All-in-1)	170	1.6	18.5	✓
heavy		for heavily soiled loads, eg pots, plates, glasses and lightly soiled pans	prewash 45°C wash 55°C rinse/rinse 65°C drying	5/25 (or All-in-1)	160	1.4	15	✓
normal		for normally soiled loads, eg plates, glasses, bowls and normally soiled pans	prewash wash 45°C rinse/rinse 50°C drying	5/25 (or All-in-1)	170	0.69	10.2	✓
glass		for lightly soiled loads such as glasses, crystal and fine china	pre-wash/wash 42°C rinse/rinse 60°C drying	5/25 (or All-in-1)	125	0.9	14.5	✓
90 min		for lightly soiled crockery and glass	wash 65°C rinse/rinse 65°C drying	30	90	1.2	11.5	✓
rapid		a shorter wash for lightly soiled loads that do not need drying	wash 40°C rinse/rinse 45°C	25	30	0.6	11.5	

EAN 9347777001399

AR211118

DISCLAIMER

Eurolinx PTY LTD, is continually seeking ways to improve the design specifications, aesthetics and production techniques of its products. As a result alterations to our products and designs take place continually. Whilst every effort is made to produce information and literature that is up to date, this brochure should not be regarded as an infallible guide to the current specifications, nor does it constitute an offer for the sale of any particular product. Product dimensions indicated in our literature is indicative only. Actual product only should be used to define dimension cut outs. Distributors, and retailers are not agents of Eurolinx and are not authorized to bind Eurolinx by any express or implied undertaking or representation.

FOLLOW US ON: [instagram.com/artusi_appliances](https://www.instagram.com/artusi_appliances)

www.linkedin.com/company/eurolinx-pty-ltd-t-a-llve/

Australia National Telephone Number 1300 (694 583) New Zealand Telephone Number 64 3 344 5913
 Artusi showroom hours: Tuesday to Friday - 9am-5pm, Saturday - 10am-4pm, Sunday and Monday - closed
 * Melbourne showroom hours: Tuesday to Saturday - 10am-4pm

artusi.com.au

NSW & ACT (Head Office)
 48-50 Moore Street
 Leichhardt
 F 02 8569 4699

VIC & SA
 1211 Toorak Road
 Camberwell
 F 03 9809 2155

QLD
 1/42 Cavendish Road
 Coorparoo
 F 07 3397 0850

WA & NT
 Unit 10/55 Howe Street
 Osborne Park
 F 08 9201 9188

TAS
 3 Pear Avenue
 Derwent Park
 P 03 6272 7386

New Zealand
 PO Box 11.160
 Sockburn Christchurch
 F 03 344 5906

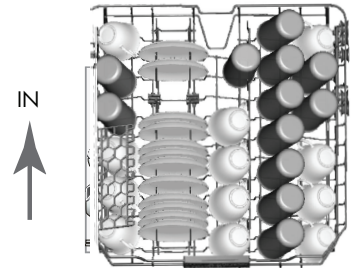
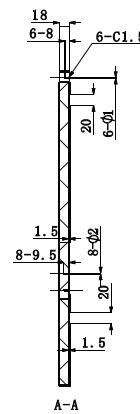
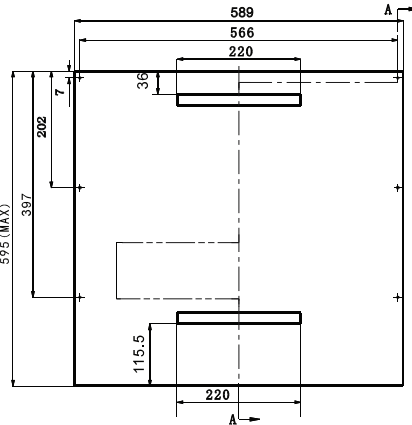
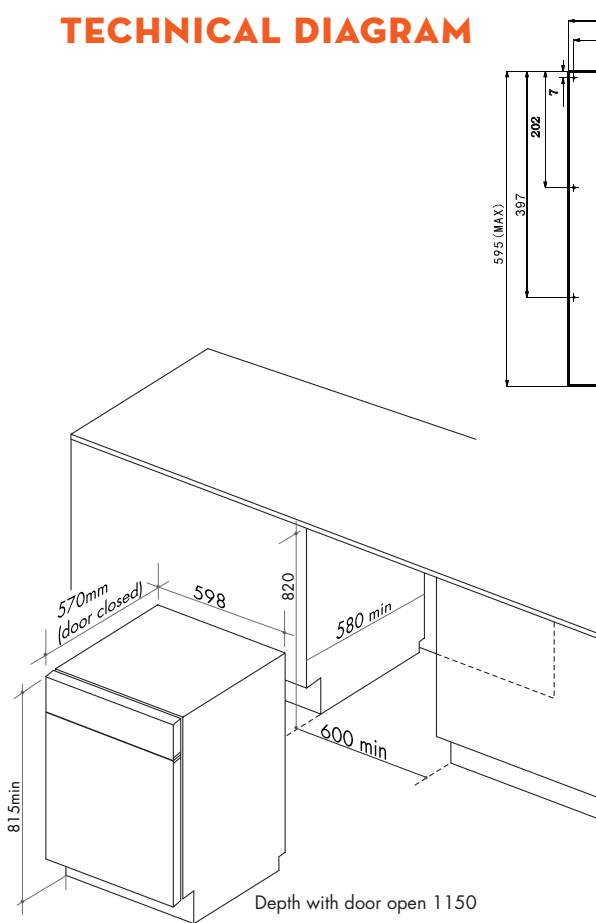
MODEL ADWSI601X



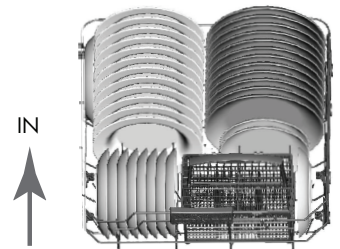
SEMI-INTEGRATED DISHWASHER



TECHNICAL DIAGRAM



The upper basket is designed to hold more delicate and lighter dishware such as glasses, coffee and tea cups and saucers, as well as small plates and bowls and shallow pans (provided they are not too soiled).



It is suggested that large items, and items that are most difficult to clean, are placed in the lower basket — eg pots, pans, lids, serving dishes etc. It is preferable to place serving dishes and lids on the side of the racks to avoid blocking rotation of the top spray arm.

NB: drawings are not to scale — they are to be used for detailed installation instructions, please refer to user guide.

EAN 9347777001399

AR211118

DISCLAIMER

Eurolinx PTY LTD, is continually seeking ways to improve the design specifications, aesthetics and production techniques of its products. As a result alterations to our products and designs take place continually. Whilst every effort is made to produce information and literature that is up to date, this brochure should not be regarded as an infallible guide to the current specifications, nor does it constitute an offer for the sale of any particular product. Product dimensions indicated in our literature is indicative only. Actual product only should be used to define dimension cut outs. Distributors, and retailers are not agents of Eurolinx and are not authorized to bind Eurolinx by any express or implied undertaking or representation.

ADWSI601X semi-integrated dishwasher

Size 598Wx550Dx815H

10 AMP GPO; standard 3-pin plug and cord 240V

FOLLOW US ON: [instagram.com/artusi_appliances](https://www.instagram.com/artusi_appliances)

www.linkedin.com/company/eurolinx-pty-ltd-t-a-llve/

Australia National Telephone Number 1300 (694 583) New Zealand Telephone Number 64 3 344 5913
Artusi showroom hours: Tuesday to Friday - 9am-5pm, Saturday - 10am-4pm, Sunday and Monday - closed
* Melbourne showroom hours: Tuesday to Saturday - 10am-4pm

artusi.com.au

NSW & ACT (Head Office)
48-50 Moore Street
Leichhardt
F 02 8569 4699

VIC & SA
1211 Toorak Road
Camberwell
F 03 9809 2155

QLD
1/42 Cavendish Road
Coorparoo
F 07 3397 0850

WA & NT
Unit 10/55 Howe Street
Osborne Park
F 08 9201 9188

TAS
3 Pear Avenue
Derwent Park
P 03 6272 7386

New Zealand
PO Box 11,160
Sockburn Christchurch
F 03 344 5906