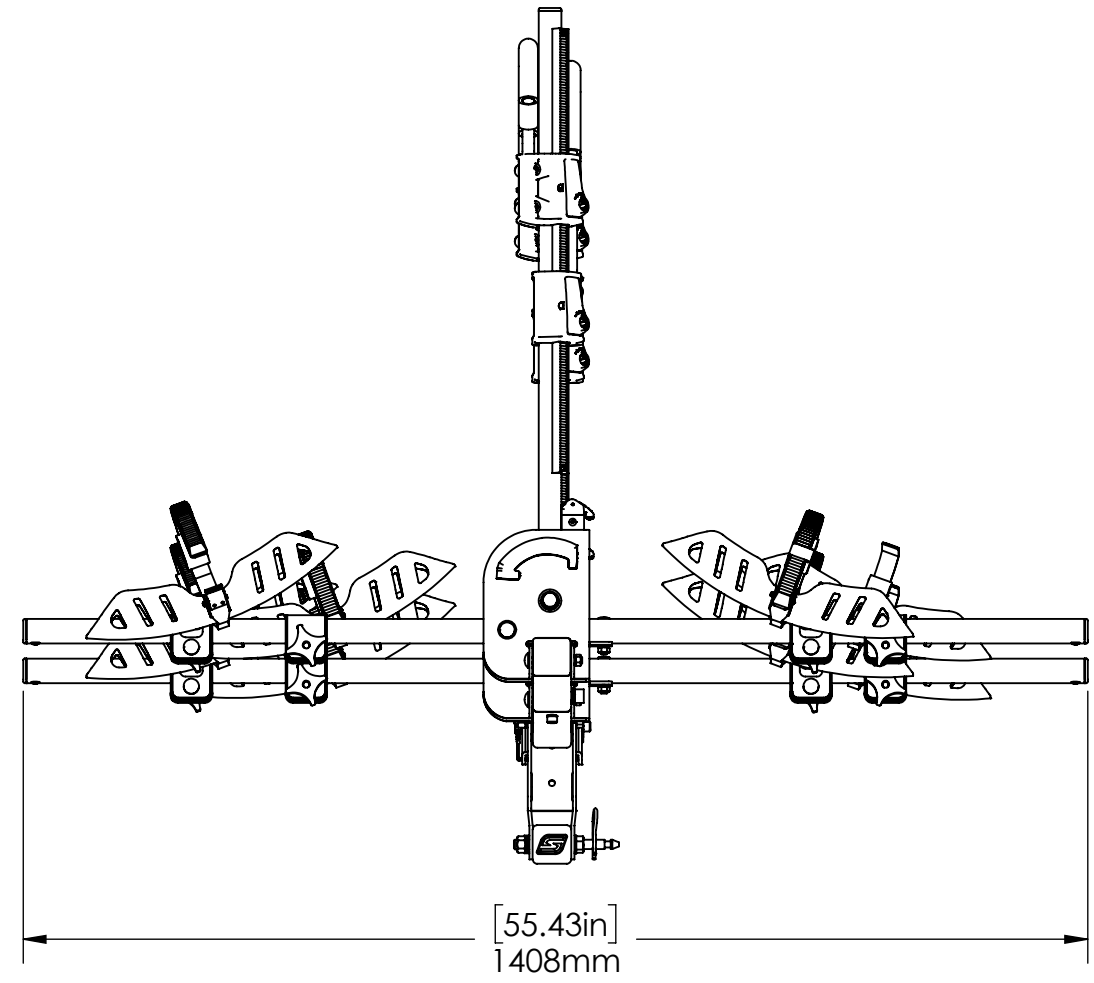
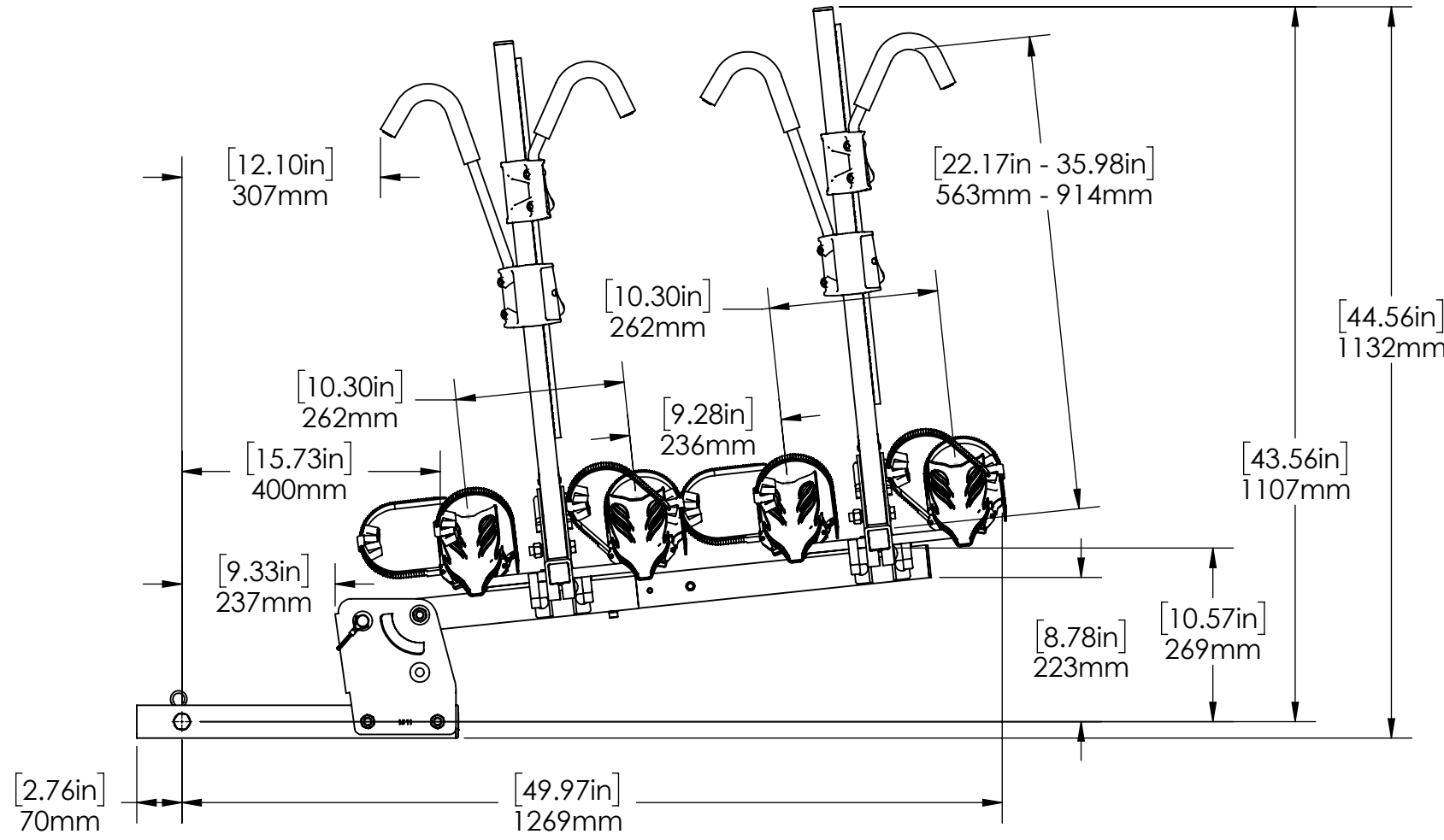


10 9 8 7 6 5 4 3 2 1

F  
E  
D  
C  
B  
A

F  
E  
D  
C  
B  
A



PUBLISHED ON: 2021-03-19 (UNCONTROLLED COPY WHEN PRINTED)

UNLESS SPECIFIED OTHERWISE THIRD ANGLE PROJECTION		NAME	DATE	DESCRIPTION QUAD 2+2 BIKE RACK
DIMENSIONS ARE MM DUAL DIMENSIONS ARE INCHES		DRAWN	EDJ	
TOLERANCES ANGULAR ± 0.25° X ± 0.5 X.X ± 0.2 X.XX ± 0.1		CHECKED		
MATERIAL -				PART NO. 66692_Dimensions
FINISH -				REV -
DO NOT SCALE DRAWING				SCALE: 1:10
				SHEET 1 OF 3

**swagman**  
 PROPRIETARY AND CONFIDENTIAL  
 THE INFORMATION CONTAINED IN THIS DRAWING IS THE SOLE PROPERTY OF DANIK INDUSTRIES LTD/SWAGMAN. ANY REPRODUCTION IN PART OR AS A WHOLE WITHOUT THE WRITTEN PERMISSION OF DANIK INDUSTRIES LTD/SWAGMAN IS PROHIBITED.

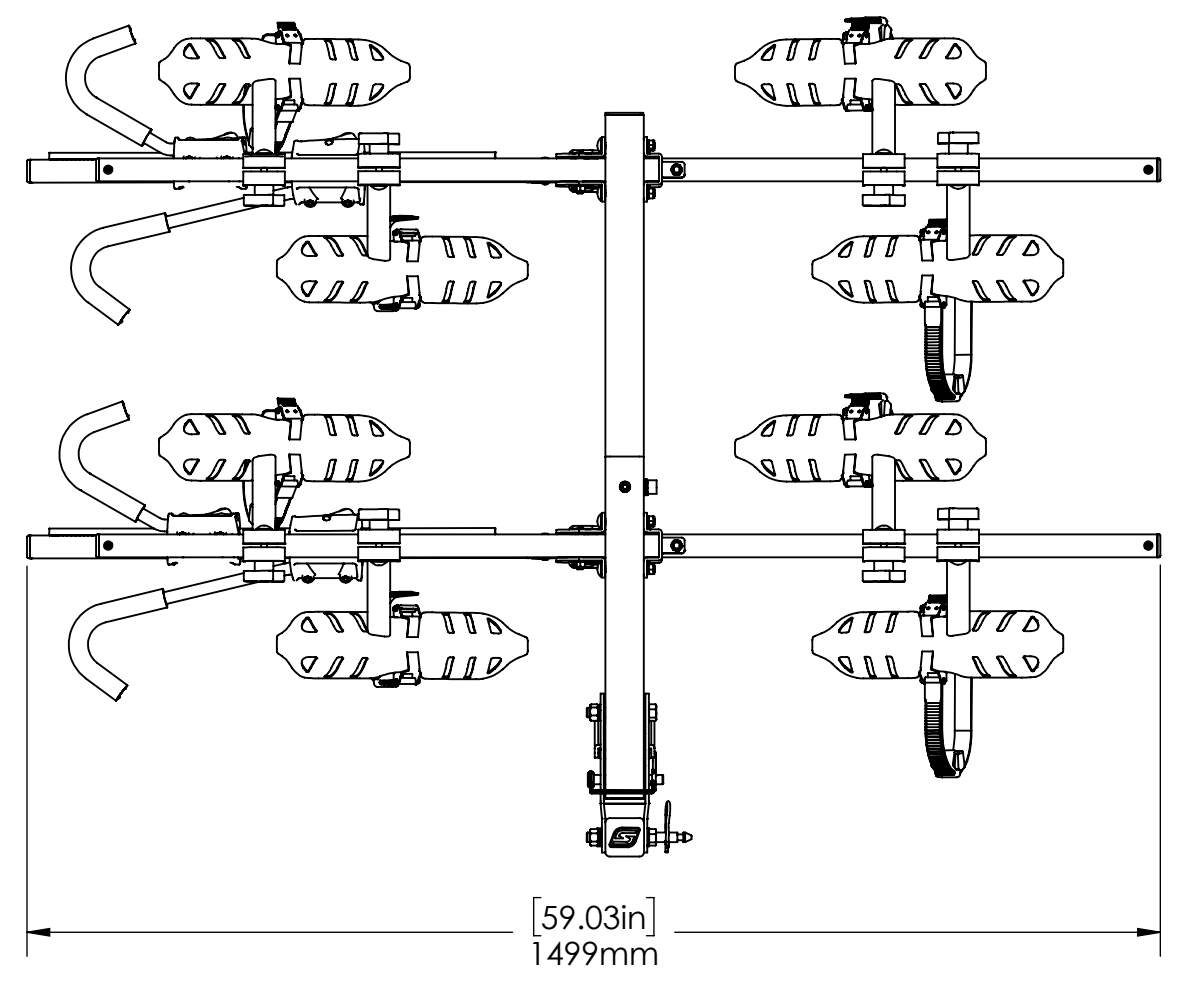
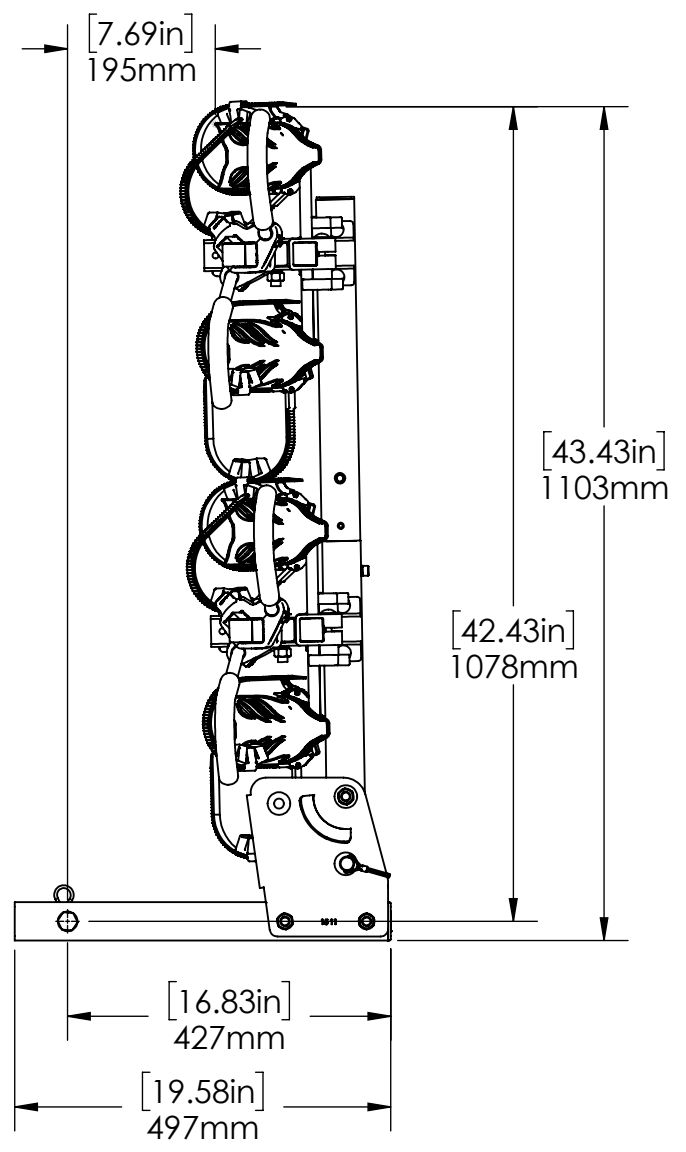
10 9 8 7 6 5 4 3 2 1

A

10 9 8 7 6 5 4 3 2 1

F  
E  
D  
C  
B  
A

F  
E  
D  
C  
B  
A



PUBLISHED ON: 2021-03-19 (UNCONTROLLED COPY WHEN PRINTED)

UNLESS SPECIFIED OTHERWISE THIRD ANGLE PROJECTION		NAME	DATE	DESCRIPTION QUAD 2+2 BIKE RACK
DIMENSIONS ARE MM DUAL DIMENSIONS ARE INCHES		DRAWN	EDJ	
TOLERANCES ANGULAR ± 0.25° X ± 0.5 X.X ± 0.2 X.XX ± 0.1		CHECKED		
MATERIAL -				PART NO. 66692_Dimensions
FINISH -				REV -
DO NOT SCALE DRAWING				SCALE: 1:10
				SHEET 2 OF 3



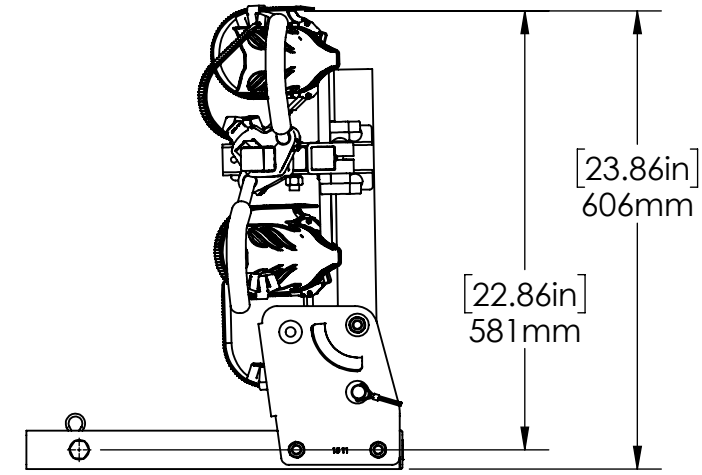
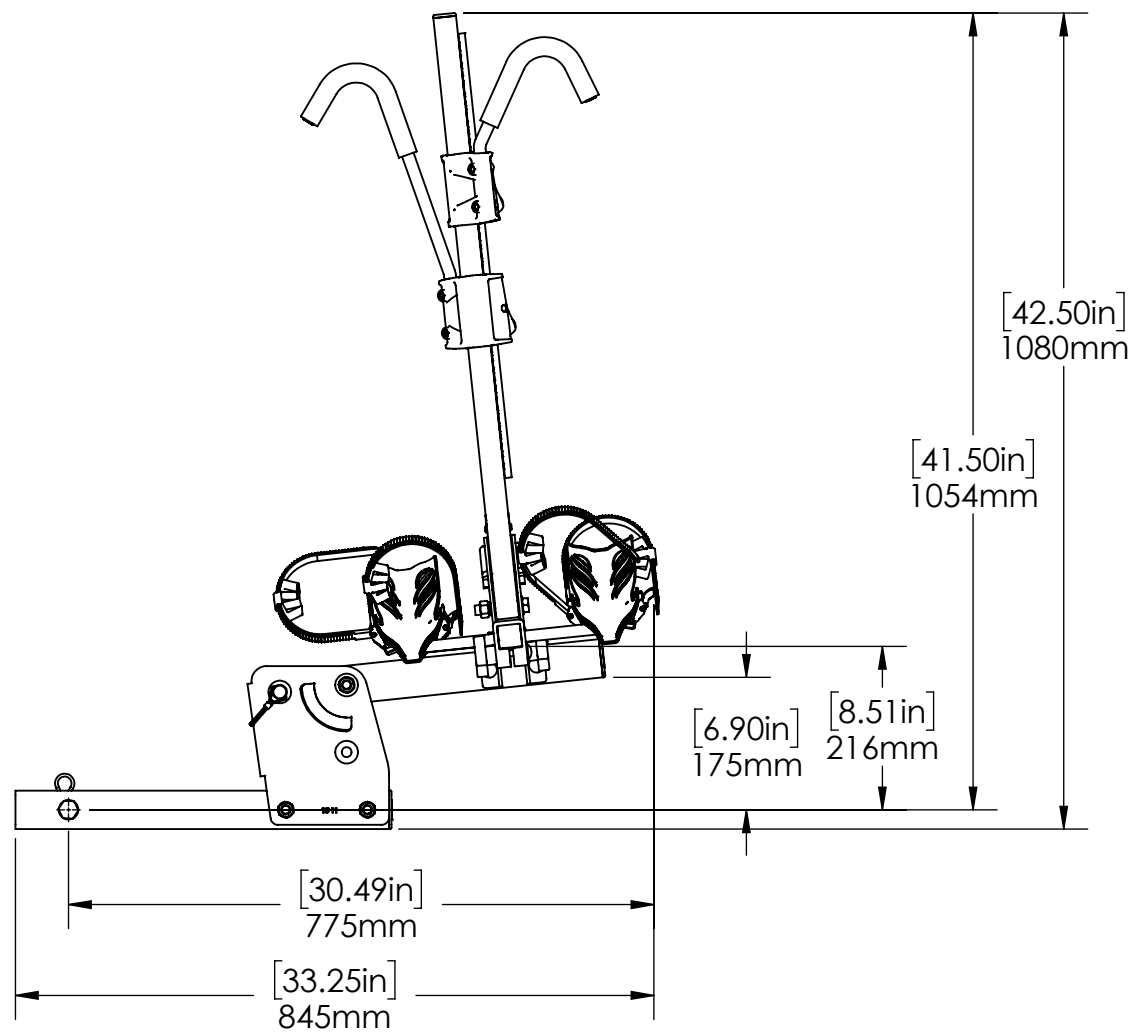
**PROPRIETARY AND CONFIDENTIAL**

THE INFORMATION CONTAINED IN THIS DRAWING IS THE SOLE PROPERTY OF DANIK INDUSTRIES LTD/SWAGMAN. ANY REPRODUCTION IN PART OR AS A WHOLE WITHOUT THE WRITTEN PERMISSION OF DANIK INDUSTRIES LTD/SWAGMAN IS PROHIBITED.

10 9 8 7 6 5 4 3 2 1

10 9 8 7 6 5 4 3 2 1

F  
E  
D  
C  
B  
A



F  
E  
D  
C  
B  
A

PUBLISHED ON: 2021-03-19 (UNCONTROLLED COPY WHEN PRINTED)

UNLESS SPECIFIED OTHERWISE THIRD ANGLE PROJECTION		NAME	DATE	DESCRIPTION QUAD 2+2 BIKE RACK
DIMENSIONS ARE MM DUAL DIMENSIONS ARE INCHES		DRAWN	EDJ	
TOLERANCES ANGULAR ± 0.25° X ± 0.5 X.X ± 0.2 X.XX ± 0.1		CHECKED		
MATERIAL -				PART NO. 66692_Dimensions
FINISH -				REV -
DO NOT SCALE DRAWING				SCALE: 1:10
				SHEET 3 OF 3



**PROPRIETARY AND CONFIDENTIAL**  
THE INFORMATION CONTAINED IN THIS DRAWING IS THE SOLE PROPERTY OF DANIK INDUSTRIES LTD/SWAGMAN. ANY REPRODUCTION IN PART OR AS A WHOLE WITHOUT THE WRITTEN PERMISSION OF DANIK INDUSTRIES LTD/SWAGMAN IS PROHIBITED.

10 9 8 7 6 5 4 3 2 1

A