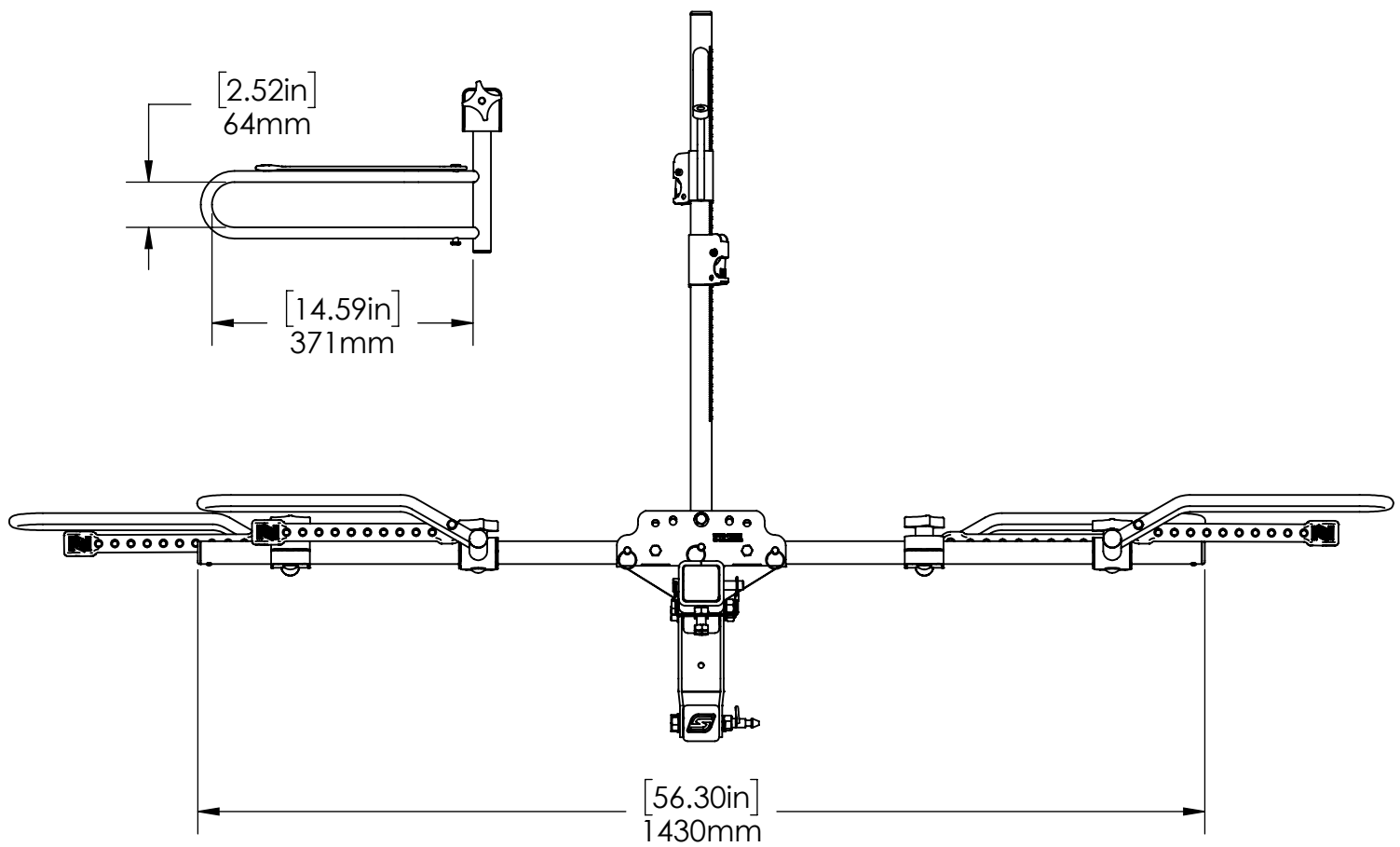
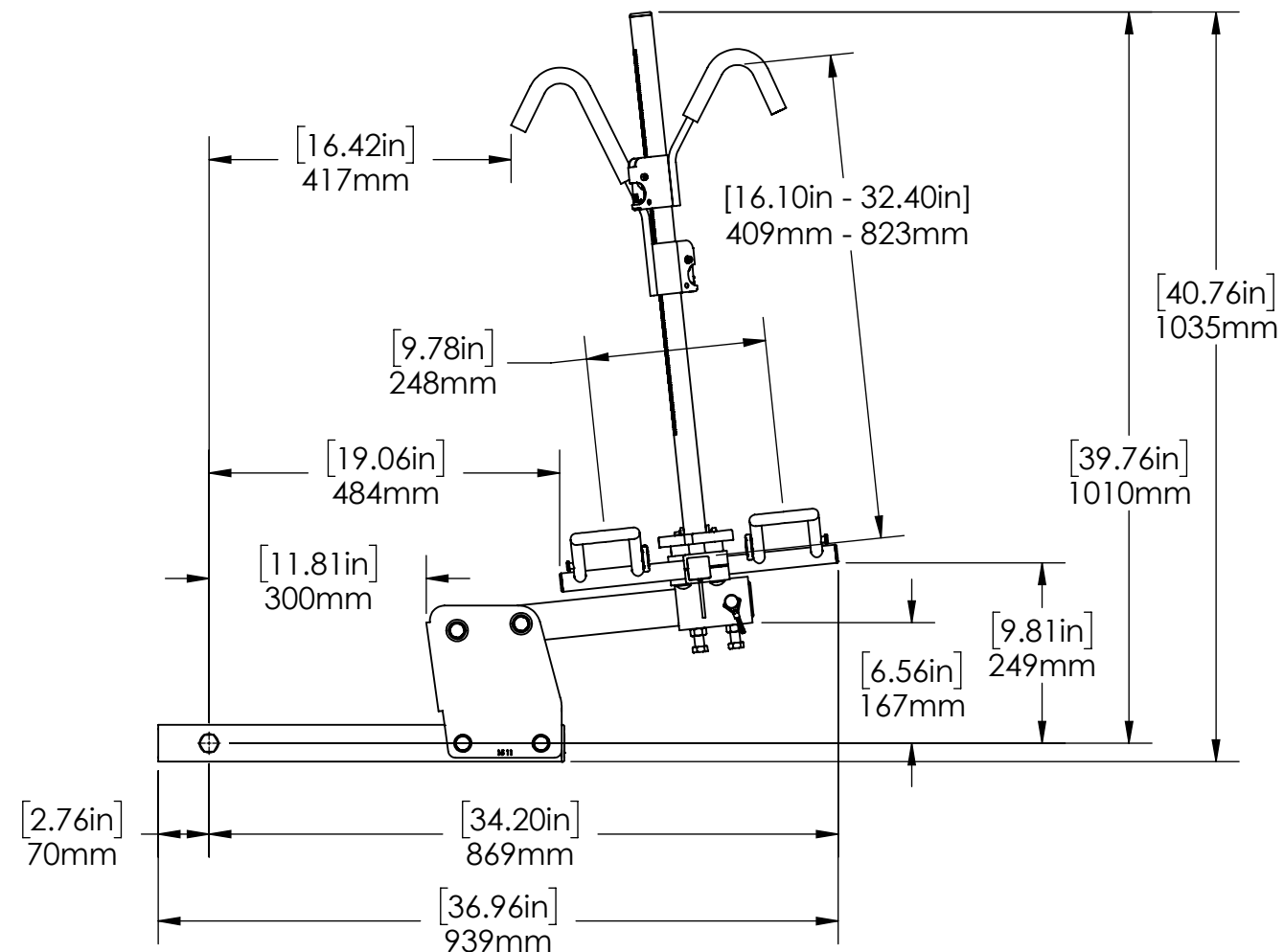


10 9 8 7 6 5 4 3 2 1

F
E
D
C
B
A

F
E
D
C
B
A



PROPRIETARY AND CONFIDENTIAL
 THE INFORMATION CONTAINED IN THIS DRAWING IS THE SOLE PROPERTY OF DANIK INDUSTRIES LTD/SWAGMAN. ANY REPRODUCTION IN PART OR AS A WHOLE WITHOUT THE WRITTEN PERMISSION OF DANIK INDUSTRIES LTD/SWAGMAN IS PROHIBITED.

PUBLISHED ON: 2020-12-15 (UNCONTROLLED COPY WHEN PRINTED)

UNLESS SPECIFIED OTHERWISE THIRD ANGLE PROJECTION		NAME	DATE	DESCRIPTION NOMAD BIKE RACK
DIMENSIONS ARE MM DUAL DIMENSIONS ARE INCHES		DRAWN	EDJ	
TOLERANCES ANGULAR ± 0.25° X ± 0.5 X.X ± 0.2 X.XX ± 0.1		CHECKED		2020-12-14
MATERIAL -				PART NO. 66670 NOMAD DIMS
FINISH -				REV -
DO NOT SCALE DRAWING				SCALE: 1:10
				SHEET 1 OF 2

10 9 8 7 6 5 4 3 2 1

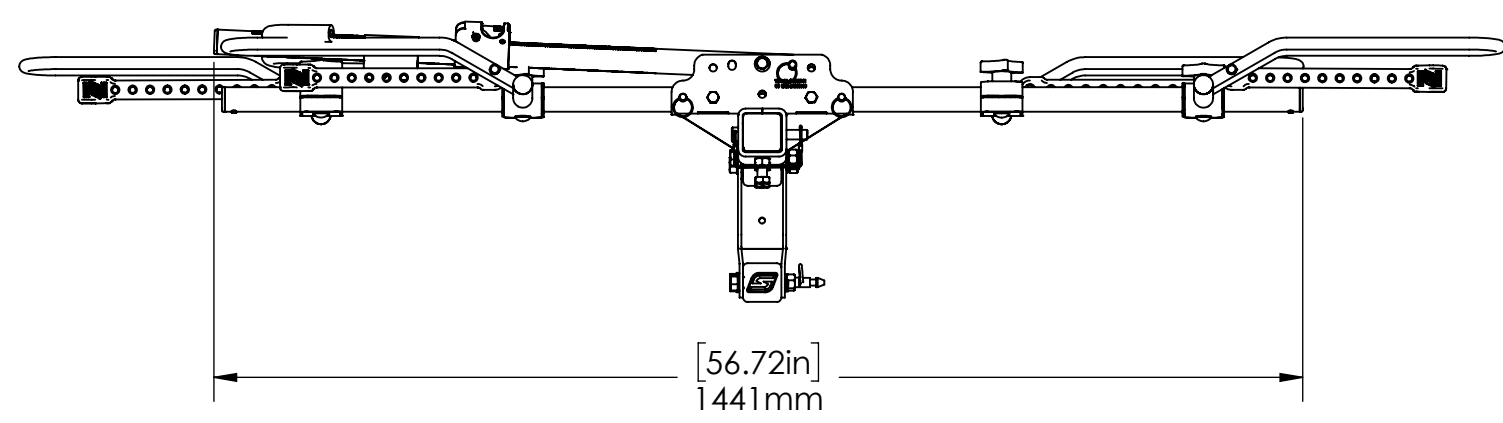
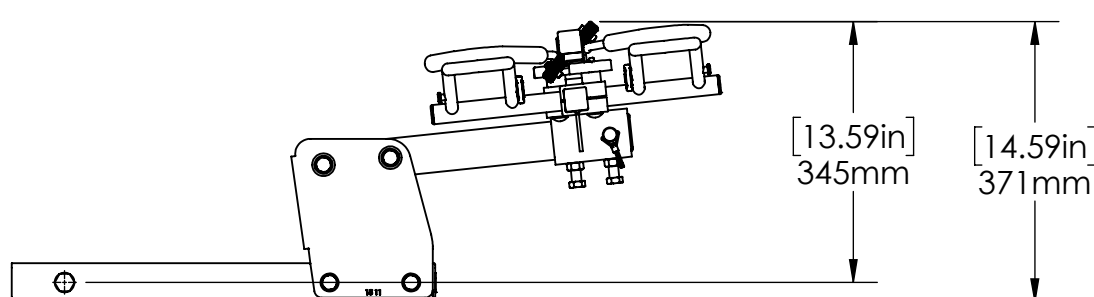
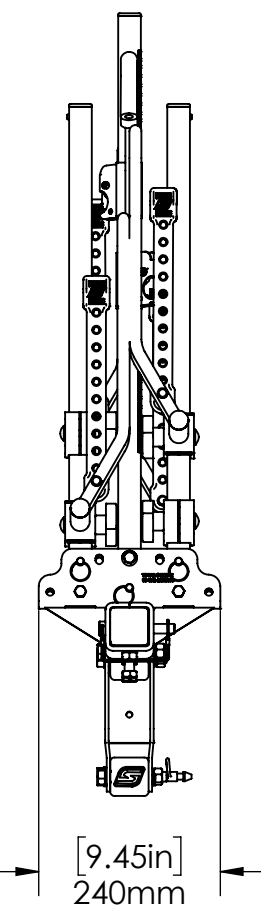
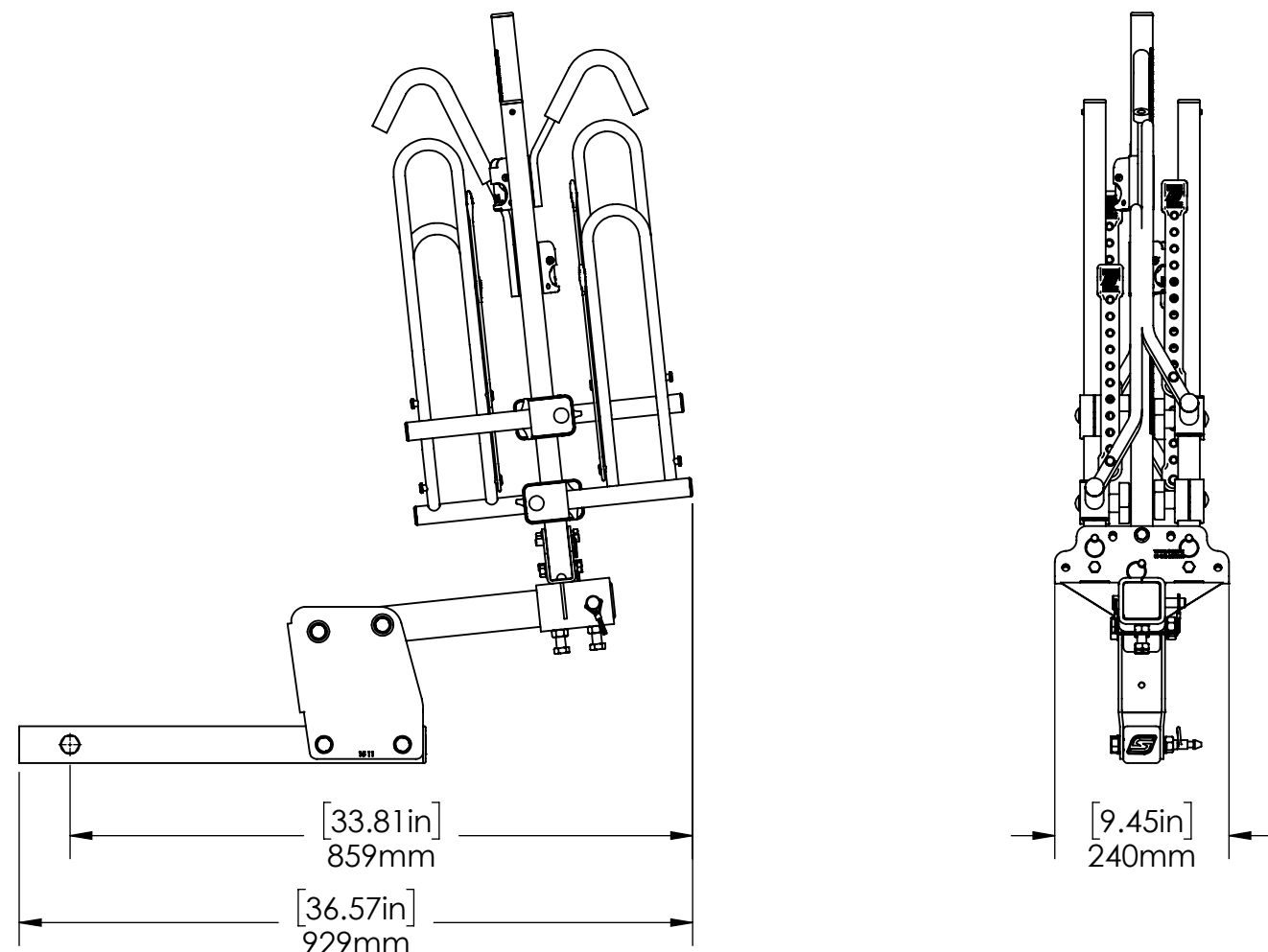
A

A

10 9 8 7 6 5 4 3 2 1

F
E
D
C
B
A

F
E
D
C
B
A



PUBLISHED ON: 2020-12-15 (UNCONTROLLED COPY WHEN PRINTED)

UNLESS SPECIFIED OTHERWISE THIRD ANGLE PROJECTION		NAME	DATE	DESCRIPTION NOMAD BIKE RACK
DIMENSIONS ARE MM DUAL DIMENSIONS ARE INCHES		DRAWN	EDJ	
TOLERANCES ANGULAR ± 0.25° X ± 0.5 X.X ± 0.2 X.XX ± 0.1		CHECKED		2020-12-14
MATERIAL -				PART NO. 66670 NOMAD DIMS
FINISH -				REV -
DO NOT SCALE DRAWING				SCALE: 1:10
				SHEET 2 OF 2



PROPRIETARY AND CONFIDENTIAL
THE INFORMATION CONTAINED IN THIS DRAWING IS THE SOLE PROPERTY OF DANIK INDUSTRIES LTD/SWAGMAN. ANY REPRODUCTION IN PART OR AS A WHOLE WITHOUT THE WRITTEN PERMISSION OF DANIK INDUSTRIES LTD/SWAGMAN IS PROHIBITED.

10 9 8 7 6 5 4 3 2 1