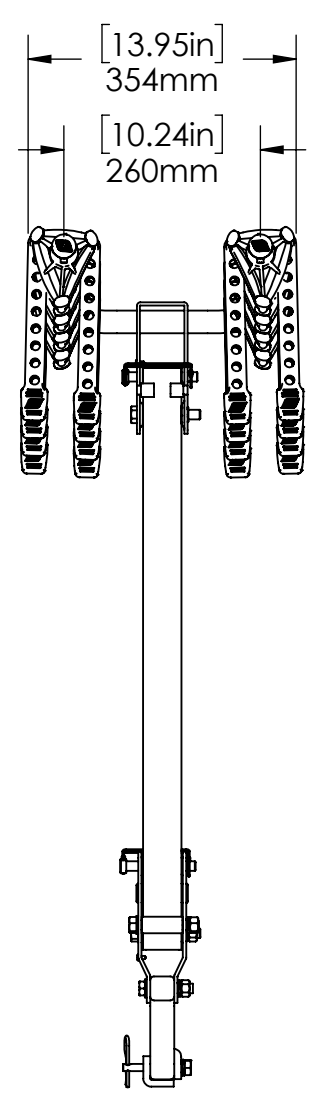
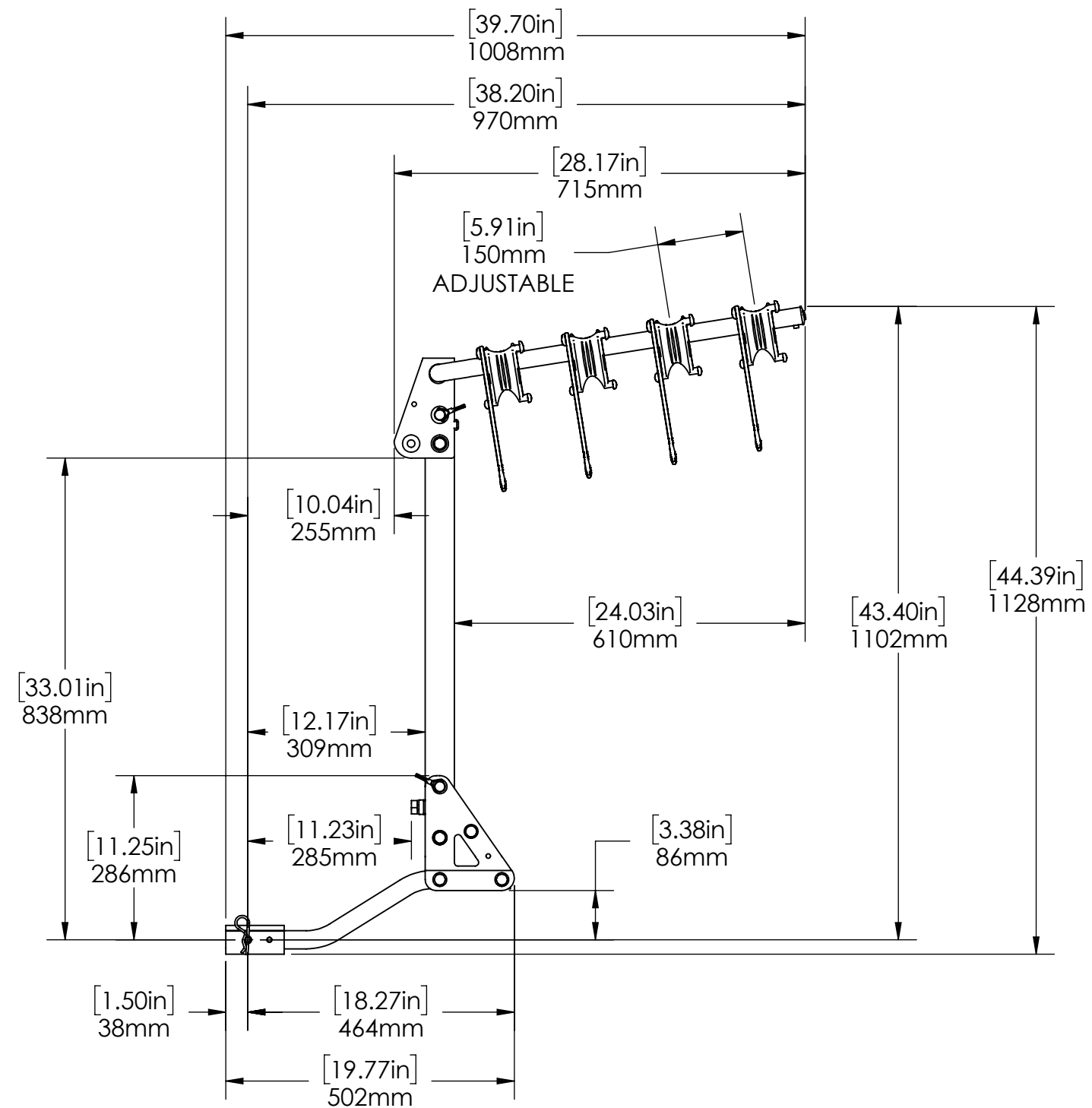


10 9 8 7 6 5 4 3 2 1

F  
E  
D  
C  
B  
A



**PROPRIETARY AND CONFIDENTIAL**  
 THE INFORMATION CONTAINED IN THIS DRAWING IS THE SOLE PROPERTY OF DANIK INDUSTRIES LTD/SWAGMAN. ANY REPRODUCTION IN PART OR AS A WHOLE WITHOUT THE WRITTEN PERMISSION OF DANIK INDUSTRIES LTD/SWAGMAN IS PROHIBITED.

PUBLISHED ON: 2021-03-25 (UNCONTROLLED COPY WHEN PRINTED)

UNLESS SPECIFIED OTHERWISE THIRD ANGLE PROJECTION		NAME	DATE	DESCRIPTION TRAILHEAD 4 BIKE RACK
DIMENSIONS ARE MM DUAL DIMENSIONS ARE INCHES		DRAWN	EDJ	
TOLERANCES ANGULAR ± 0.25° X ± 0.5 X.X ± 0.2 X.XX ± 0.1		CHECKED		
MATERIAL -				PART NO. 63380_dimensions
FINISH -				REV -
DO NOT SCALE DRAWING				SCALE: 1:10
				SHEET 1 OF 2

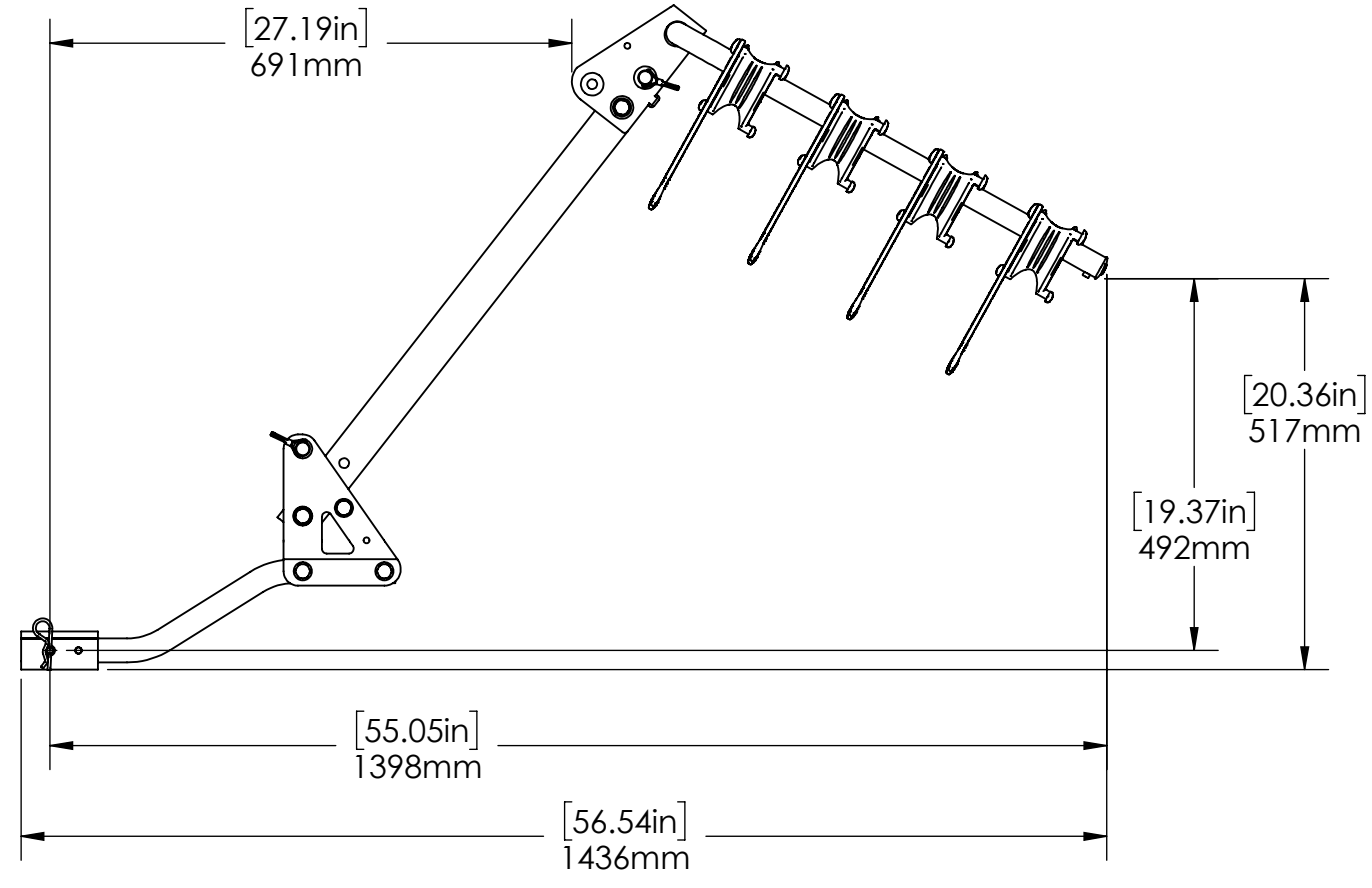
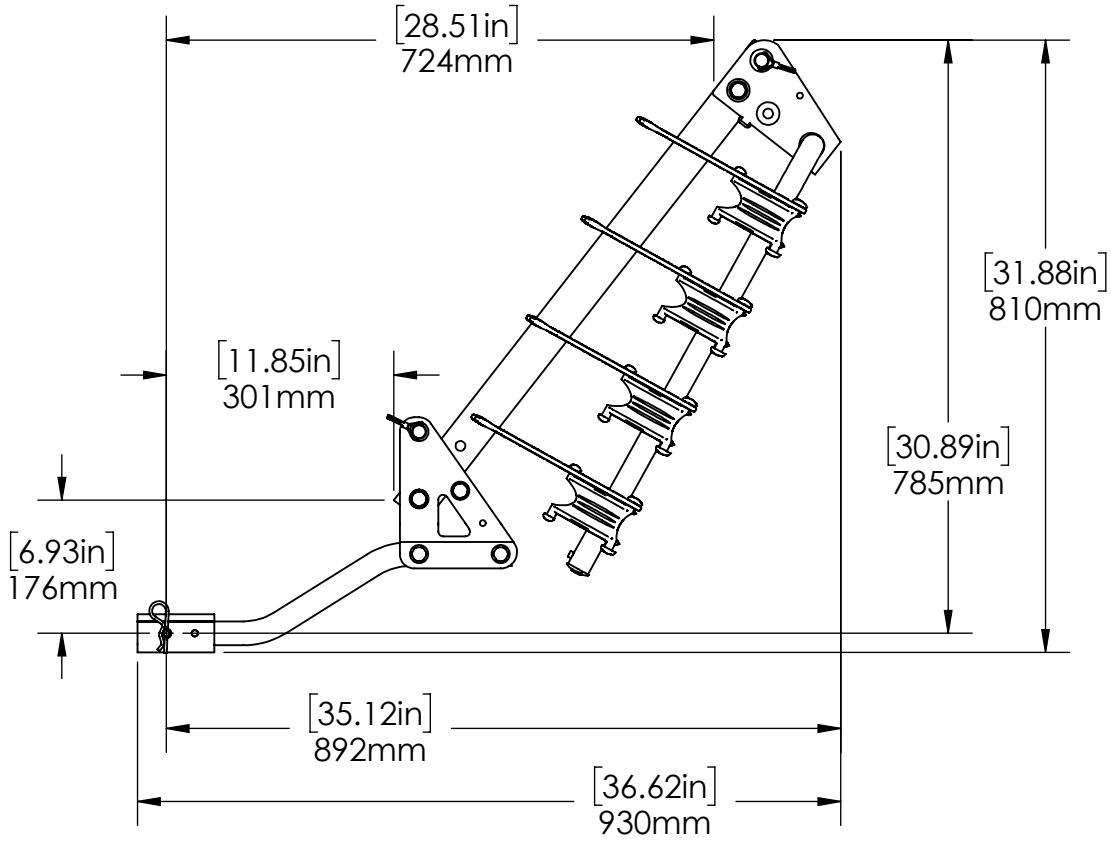
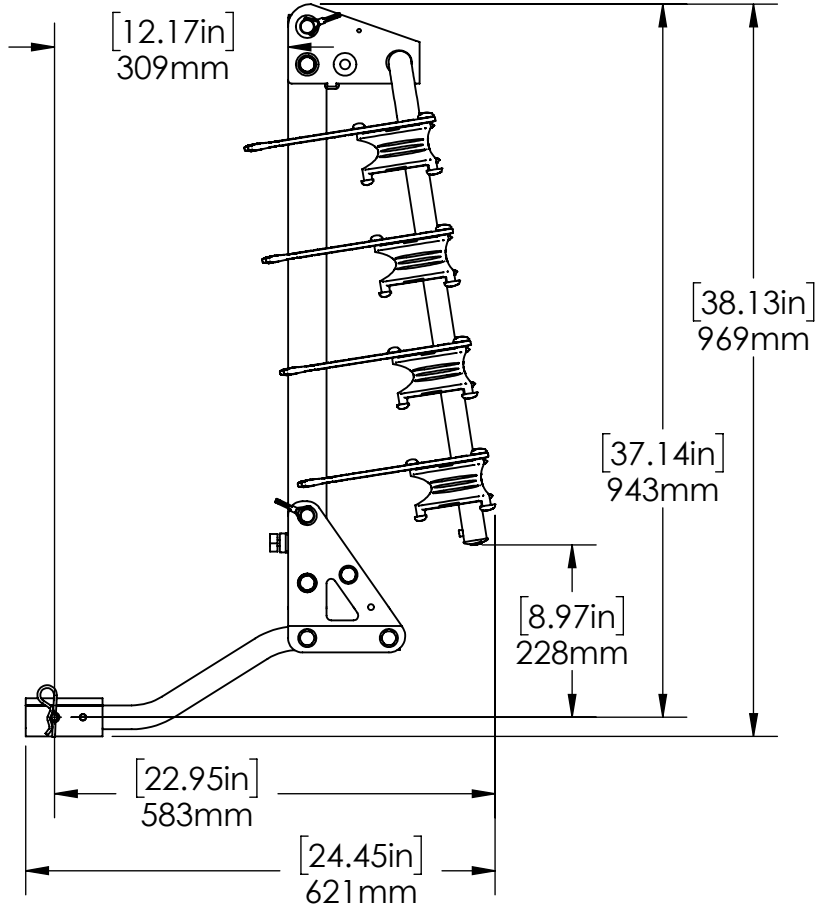
10 9 8 7 6 5 4 3 2 1

F  
E  
D  
C  
B  
A

10 9 8 7 6 5 4 3 2 1

F  
E  
D  
C  
B  
A

F  
E  
D  
C  
B  
A



PUBLISHED ON: 2021-03-25 (UNCONTROLLED COPY WHEN PRINTED)

UNLESS SPECIFIED OTHERWISE  
THIRD ANGLE PROJECTION  
DIMENSIONS ARE MM  
DUAL DIMENSIONS ARE INCHES

TOLERANCES  
ANGULAR ± 0.25°  
X ± 0.5  
X.X ± 0.2  
X.XX ± 0.1

MATERIAL

FINISH

NAME	DATE
DRAWN EDJ	2021-03-25
CHECKED	

DESCRIPTION  
TRAILHEAD 4 BIKE RACK

PART NO. 63380\_dimensions  
REV -

**swagman**  
PROPRIETARY AND CONFIDENTIAL  
THE INFORMATION CONTAINED IN THIS DRAWING IS THE SOLE PROPERTY OF DANIK INDUSTRIES LTD/SWAGMAN. ANY REPRODUCTION IN PART OR AS A WHOLE WITHOUT THE WRITTEN PERMISSION OF DANIK INDUSTRIES LTD/SWAGMAN IS PROHIBITED.

DO NOT SCALE DRAWING

SCALE: 1:10 SHEET 2 OF 2

10 9 8 7 6 5 4 3 2 1