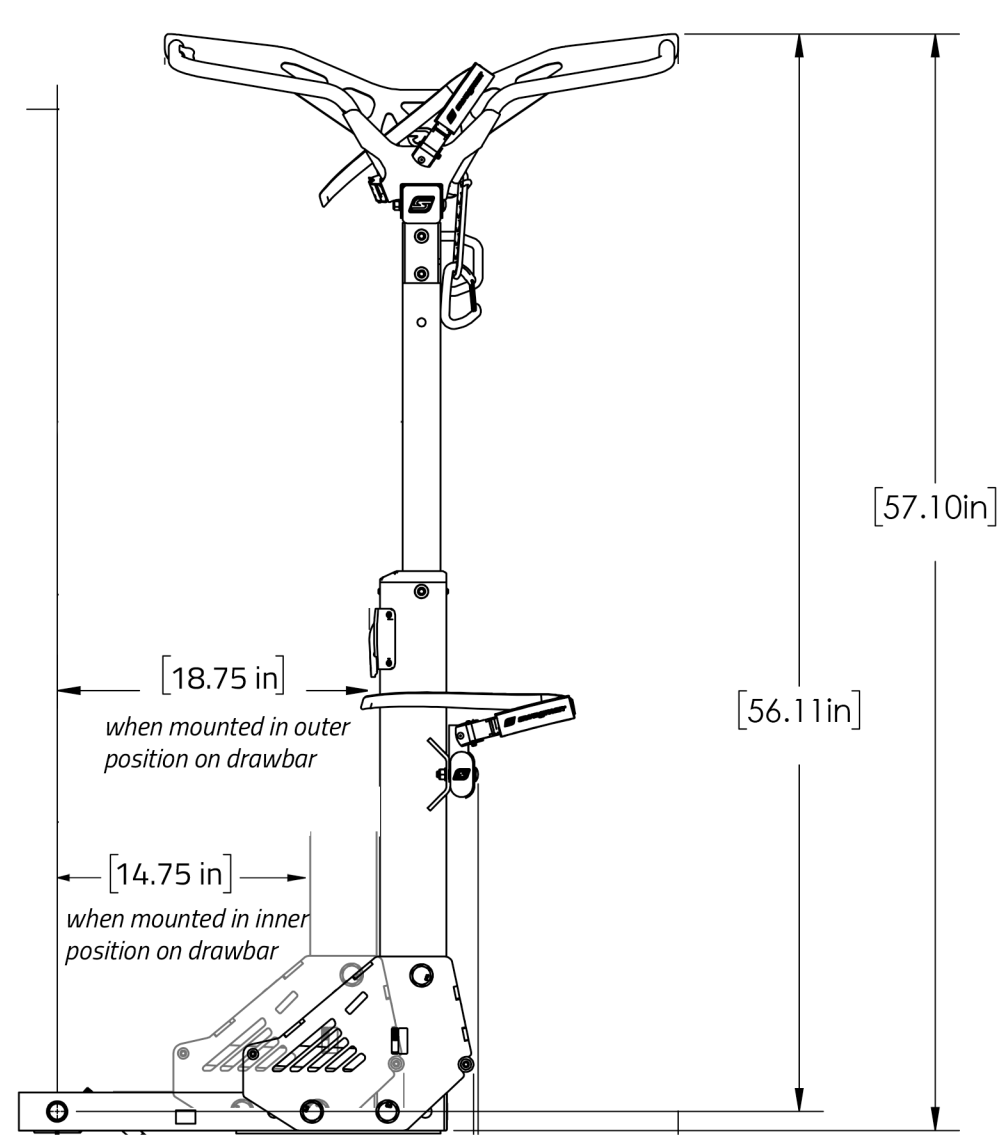


10 9 8 7 6 5 4 3 2 1

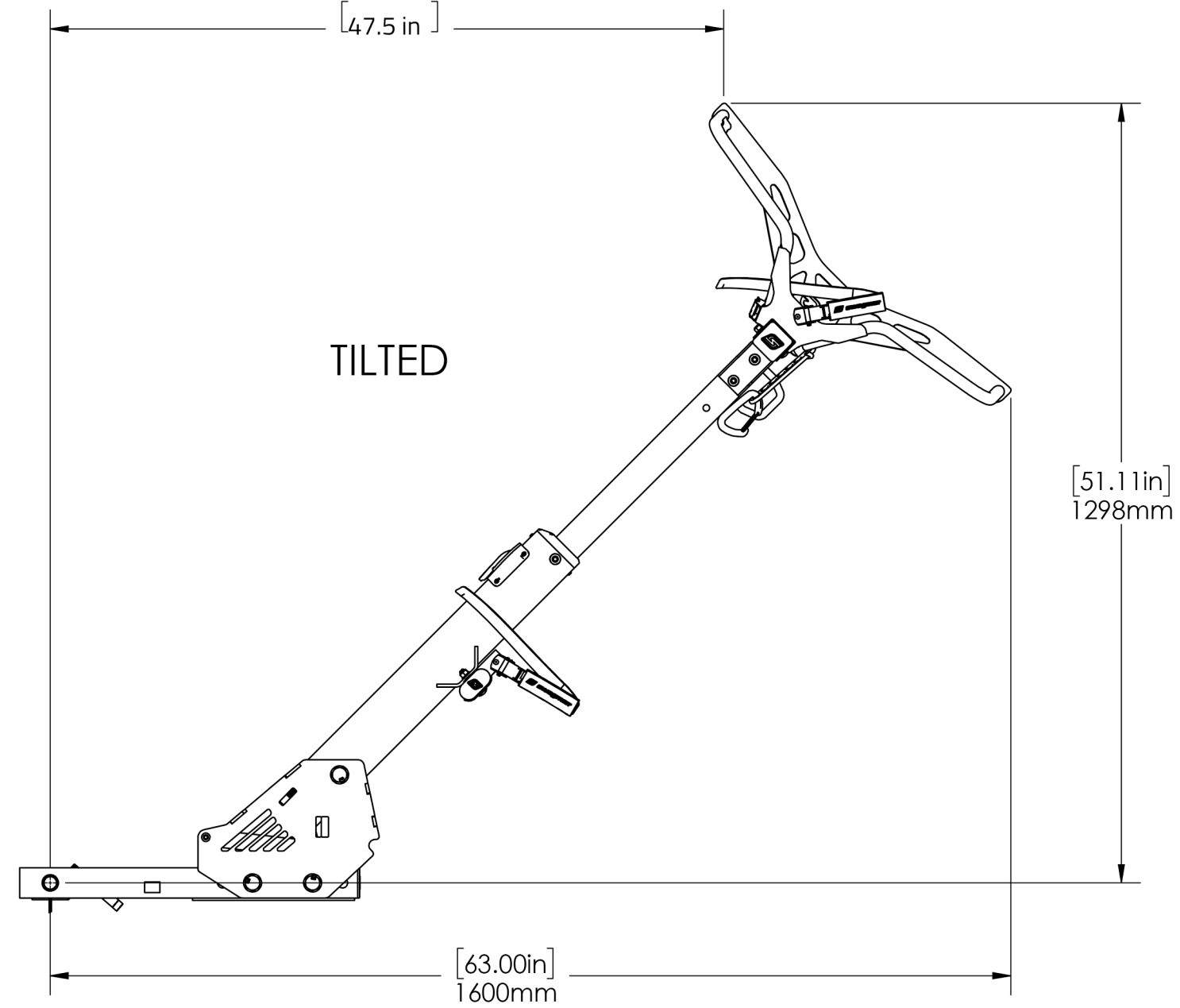
F
E
D
C
B
A

F
E
D
C
B
A

UPRIGHT



TILTED



PUBLISHED ON: 2023-07-19 (UNCONTROLLED COPY WHEN PRINTED)

UNLESS SPECIFIED OTHERWISE THIRD ANGLE PROJECTION		NAME	DATE	DESCRIPTION SUMMIT BIKE RACK
DIMENSIONS ARE MM DUAL DIMENSIONS ARE INCHES		DRAWN	EDJ	
TOLERANCES ANGULAR ± 0.25° X ± 0.5 X.X ± 0.2 X.XX ± 0.1		CHECKED		
MATERIAL -				PART NO. 11414_Dimensions
FINISH -				REV -
DO NOT SCALE DRAWING				SCALE: 1:10
				SHEET 1 OF 2



PROPRIETARY AND CONFIDENTIAL
THE INFORMATION CONTAINED IN THIS DRAWING IS THE SOLE PROPERTY OF DANIK INDUSTRIES LTD/SWAGMAN. ANY REPRODUCTION IN PART OR AS A WHOLE WITHOUT THE WRITTEN PERMISSION OF DANIK INDUSTRIES LTD/SWAGMAN IS PROHIBITED.

10 9 8 7 6 5 4 3 2 1

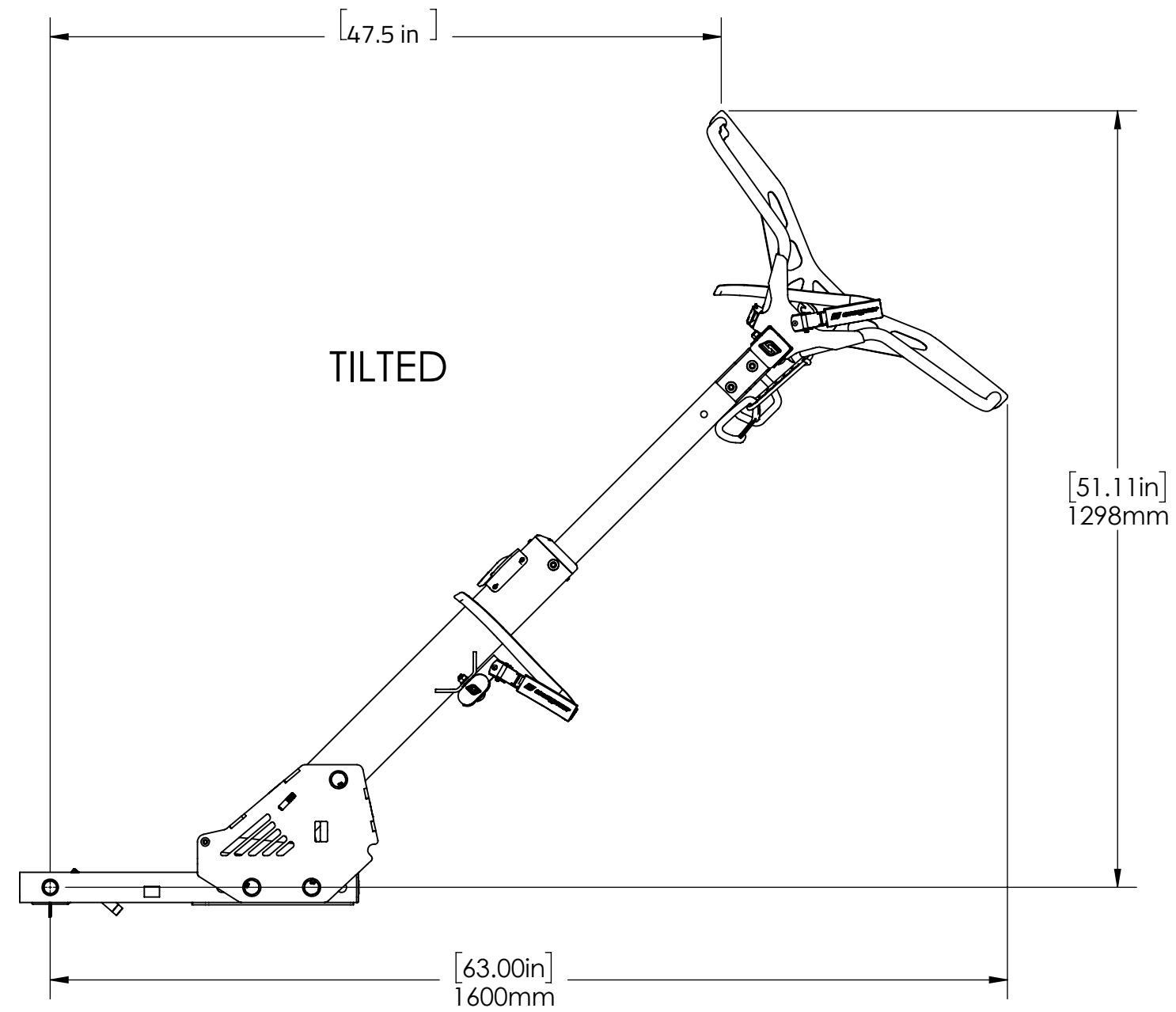
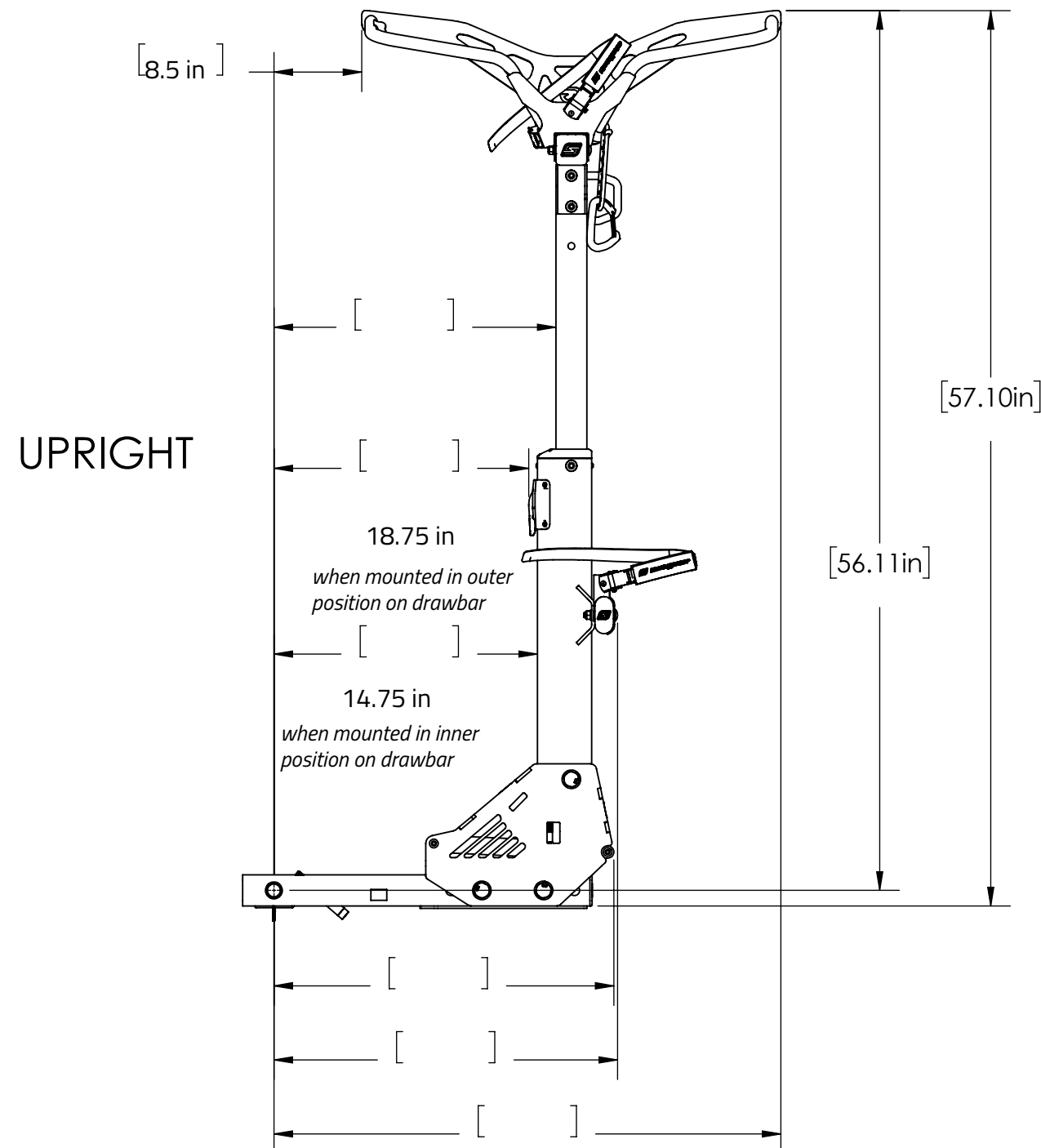
A

A

10 9 8 7 6 5 4 3 2 1

F
E
D
C
B
A

F
E
D
C
B
A



PUBLISHED ON: 2023-07-19 (UNCONTROLLED COPY WHEN PRINTED)

UNLESS SPECIFIED OTHERWISE THIRD ANGLE PROJECTION		NAME	DATE	DESCRIPTION SUMMIT BIKE RACK
DIMENSIONS ARE MM DUAL DIMENSIONS ARE INCHES		DRAWN	EDJ	
TOLERANCES ANGULAR ± 0.25° X ± 0.5 X.X ± 0.2 X.XX ± 0.1		CHECKED		
MATERIAL -				PART NO. 11414_Dimensions
FINISH -				REV -
DO NOT SCALE DRAWING				SCALE: 1:10
				SHEET 1 OF 2



PROPRIETARY AND CONFIDENTIAL
THE INFORMATION CONTAINED IN THIS DRAWING IS THE SOLE PROPERTY OF DANIK INDUSTRIES LTD/SWAGMAN. ANY REPRODUCTION IN PART OR AS A WHOLE WITHOUT THE WRITTEN PERMISSION OF DANIK INDUSTRIES LTD/SWAGMAN IS PROHIBITED.

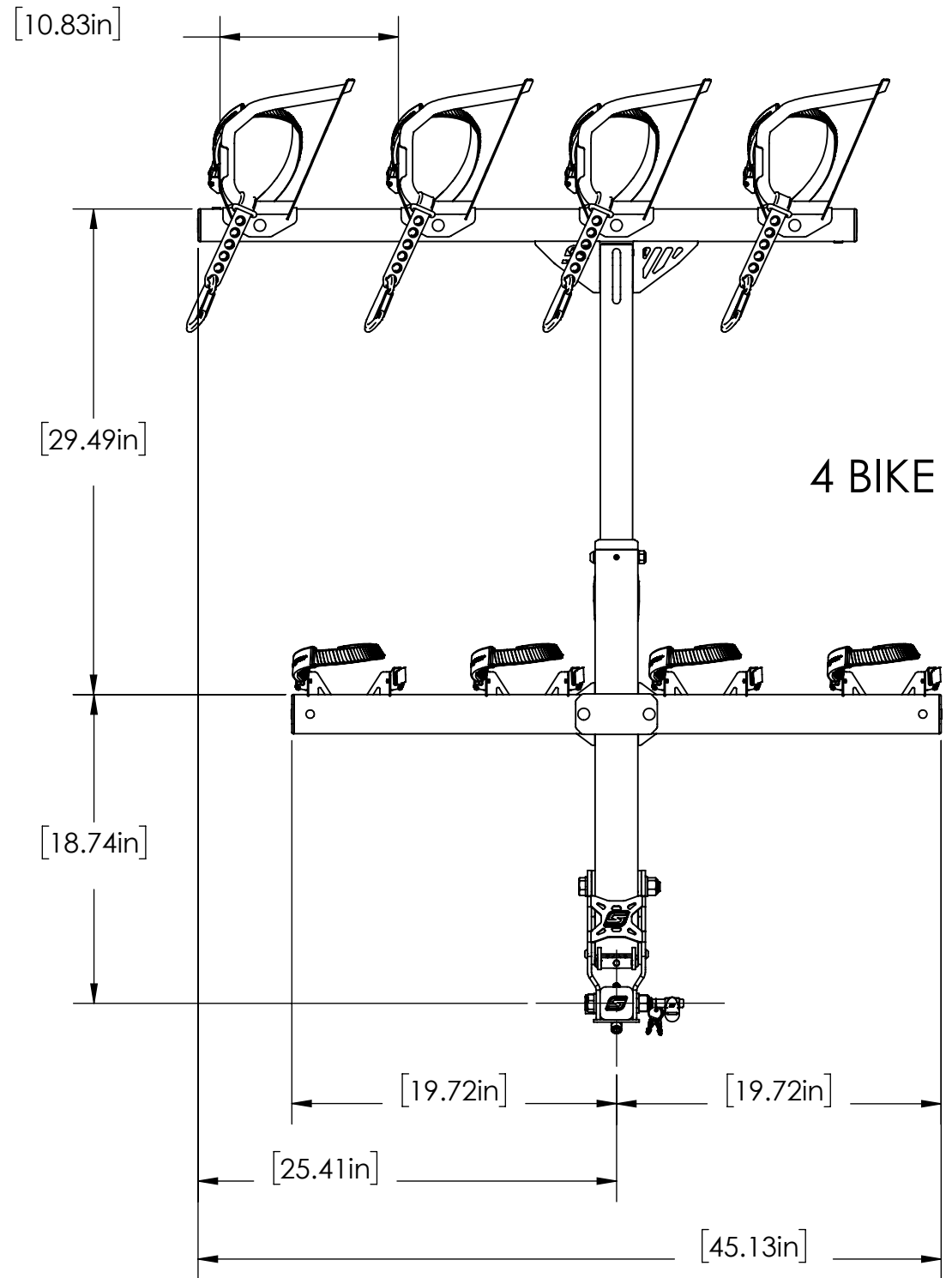
10 9 8 7 6 5 4 3 2 1

A

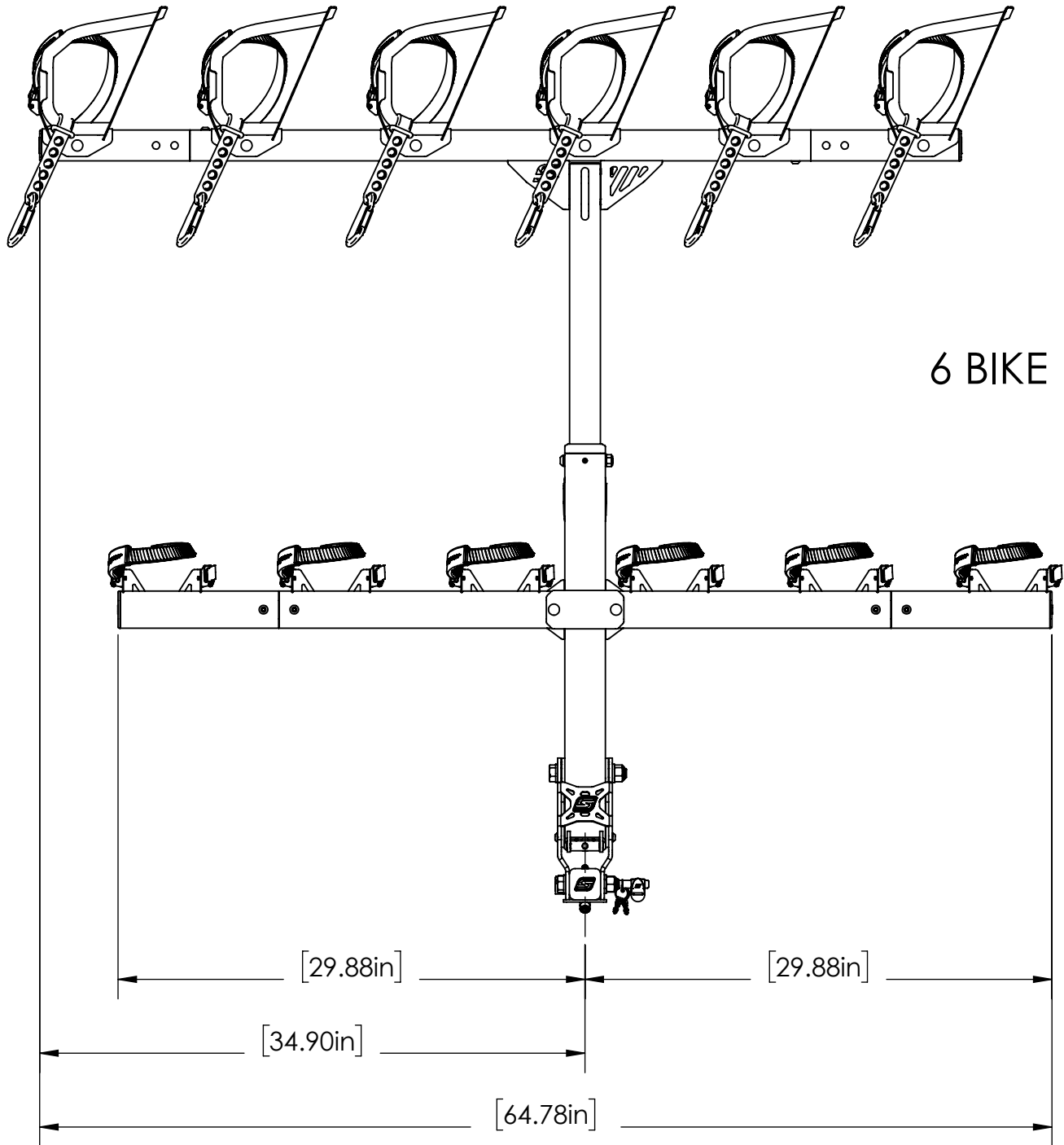
10 9 8 7 6 5 4 3 2 1

F
E
D
C
B
A

F
E
D
C
B
A



4 BIKE



6 BIKE



PROPRIETARY AND CONFIDENTIAL
 THE INFORMATION CONTAINED IN THIS DRAWING IS THE SOLE PROPERTY OF DANIK INDUSTRIES LTD/SWAGMAN. ANY REPRODUCTION IN PART OR AS A WHOLE WITHOUT THE WRITTEN PERMISSION OF DANIK INDUSTRIES LTD/SWAGMAN IS PROHIBITED.

PUBLISHED ON: 2023-07-19 (UNCONTROLLED COPY WHEN PRINTED)

UNLESS SPECIFIED OTHERWISE THIRD ANGLE PROJECTION		NAME	DATE	DESCRIPTION SUMMIT BIKE RACK	
DIMENSIONS ARE MM DUAL DIMENSIONS ARE INCHES		DRAWN	EDJ		2023-07-19
TOLERANCES ANGULAR ± 0.25° X ± 0.5 X.X ± 0.2 X.XX ± 0.1		CHECKED			
MATERIAL -				PART NO. 11414_Dimensions	REV -
FINISH -				SCALE: 1:10	
DO NOT SCALE DRAWING				SHEET 2 OF 2	

10 9 8 7 6 5 4 3 2 1