



Weather Station ·

## WIFI Colour Weather Station 5in1

**EN** Instruction manual

**DE** Besuchen Sie unsere Website über den folgenden QR Code oder Weblink um weitere Informationen zu diesem Produkt oder die verfügbaren Übersetzungen dieser Anleitung zu finden.

**EN** Visit our website via the following QR Code or web link to find further information on this product or the available translations of these instructions.

**FR** Si vous souhaitez obtenir plus d'informations concernant ce produit ou rechercher ce mode d'emploi en d'autres langues, rendez-vous sur notre site Internet en utilisant le code QR ou le lien correspondant.

**NL** Bezoek onze internetpagina via de volgende QR-code of weblink, voor meer informatie over dit product of de beschikbare vertalingen van deze gebruiksaanwijzing.

**ES** ¿Desearía recibir unas instrucciones de uso completas sobre este producto en un idioma determinado? Entonces visite nuestra página web utilizando el siguiente enlace (código QR) para ver las versiones disponibles.

**IT** Desidera ricevere informazioni esaustive su questo prodotto in una lingua specifica? Venga a visitare il nostro sito Web al seguente link (codice QR Code) per conoscere le versioni disponibili.



[www.bresser.de/P7002580](http://www.bresser.de/P7002580)



**GARANTIE · WARRANTY · GARANTÍA · GARANZIA**



[www.bresser.de/warranty\\_terms](http://www.bresser.de/warranty_terms)



WEATHER UNDERGROUND

**APP DOWNLOAD:**



**Wunder  
Station**

**APP DOWNLOAD:**



Weather Underground is a registered trademark of The Weather Channel, LLC. both in the United States and internationally. The Weather Underground Logo is a trademark of Weather Underground, LLC. Find out more about Weather Underground at [www.wunderground.com](http://www.wunderground.com)

Apple and the Apple logo are trademarks of Apple Inc., registered in the U.S. and other countries. App Store is a service mark of Apple Inc., registered in the U.S. and other countries. Google Play and the Google Play logo are trademarks of Google Inc.

---

# Contents

|  |    |
|--|----|
| 1 Imprint .....  | 4  |
| 2 Validity information .....   | 4  |
| 3 Features .....   | 4  |
| 4 About this Instruction Manual .....                                  | 5  |
| 5 General safety instructions .....                                    | 5  |
| 6 Parts overview Base station .....                                    | 7  |
| 7 Parts overview Multisensor .....                                     | 8  |
| 8 Scope of delivery .....  | 8  |
| 9 Screen display .....   | 9  |
| 10 Before starting operation .....                                     | 9  |
| 11 First Steps .....   | 10 |
| 12 Setting up power supply .....                                       | 10 |
| 13 Attaching rubber pads .....   | 11 |
| 14 Assembling and installing the multifunctional remote sensor .....   | 11 |
| 15 Signal transmission .....   | 12 |
| 16 Setting up an user account for Weather Underground (optional) ..... | 12 |
| 17 Setting up an user account for weathercloud (optional) .....        | 12 |
| 18 Configuration / Setting up a WI-FI connection .....                 | 13 |
| 19 Automatic time setting .....  | 14 |
| 20 Manual time setting .....   | 14 |
| 21 Time zone setting .....   | 14 |
| 22 Manual measurement display .....                                    | 14 |
| 23 Technical data .....  | 14 |
| 24 EC Declaration of Conformity .....                                  | 15 |
| 25 Disposal .....  | 15 |

---

# 1 Imprint

Bresser GmbH  
Gutenbergstr. 2  
46414 Rhede  
Germany

<http://www.bresser.de>

If you wish to submit a warranty claim or service request, please refer to the “Warranty” and “Service” information in this document. Please be aware that any requests or submissions sent directly to the manufacturer cannot be processed.

Errors excepted. Subject to technical modifications.

© 2019 Bresser GmbH

All rights reserved.

Reproduction of this document, including extracts, in any form (photocopied, printed etc.) or the use and distribution of this document by electronic means (image file, website etc.) is not permitted without the prior written consent of the manufacturer.

The terms and brand names of the respective companies used in this document are protected by brand, patent or product law in Germany, the European Union and/or other countries.

## 2 Validity information

This documentation is valid for the products with the article numbers listed below:

7002580

**Manual version:** v0519

**Manual description:**

Manual\_7002580\_WIFI-Colour-Weather-Station-5in1\_en\_BRESSER\_v052019a

With any service inquiries, please state these information.

## 3 Features

- Measurement of Rainfall
- Measurement of wind speed
- Measurement of wind direction
- Radio-controlled clock with DCF signal reception and display
- Alarm with snooze function
- Outdoor temperature alarm (frost warning)
- Outdoor temperature (in °C or °F)
- Indoor temperature (in °C or °F)
- Humidity indoor/outdoor
- Atmospheric pressure
- SINCE function to display the total rainfall from a customized point in time.
- Highest and lowest value display
- Maximum/Minimum value memory
- Colour display
- Backlight

---

## 4 About this Instruction Manual



### NOTICE

**These operating instructions are to be considered a component of the device.**

Please read the safety instructions and the operating instructions carefully before use.

Keep these instructions for renewed use at a later date. When the device is sold or given to someone else, the instruction manual must be provided to the new owner/user of the product.

---

## 5 General safety instructions



### DANGER

#### Risk of electric shock

This device has electronic parts operated via a power source (power supply and/or batteries). Improper use of this product can cause an electric shock. An electric shock can cause serious or potentially fatal injuries. The following safety information must be observed at all times.

- Children must only use the device under adult supervision! Only use the device as described in the manual; otherwise, you run the risk of an electric shock.
- Disconnect the device from the power supply by pulling the power plug when it is not used or in case of longer interruption of operation and before starting any work on maintenance and cleaning.
- Position your device so that it can be disconnected from the power supply at any time. The power socket should be installed near the device and should be easily accessible as the mains cable plug is used to disconnect the device from the power supply.
- To disconnect the device from the power supply, always pull on the plug. Never pull on the cable.
- Before starting up the device, check the device, the cables and the connections for signs of damage.
- Never use a damaged device or a device with damaged live parts. Damaged parts must be immediately replaced by an authorised service company.
- Only use the device in complete dry environment and do not touch it with wet or moist parts of your body.



### DANGER

#### Risk of suffocation

Improper use of this product can result in suffocation. This is particularly dangerous for children. The following safety information must be observed at all times.

- Keep packaging materials (plastic bags, rubber bands etc.) away from children. They can cause suffocation.
- This product contains small parts that could be swallowed by children. There is a risk of choking!



### DANGER

#### Risk of explosion

Improper use of this product can cause an explosion. The following safety information must be observed at all times to prevent an explosion.

---

- 
- Do not expose the device to high temperatures. Use only the supplied power supply or the recommended batteries. Do not short-circuit the device or batteries or throw them into a fire! Excessive heat or improper handling could trigger a short circuit, a fire, or an explosion.



## NOTICE

### **Risk of damage to property**

Improper handling can result in damage to the device and/or to the accessories. Always observe the following safety information when using the device.

- Never disassemble the device. In the event of a fault, please contact your specialist retailer. The specialist retailer will contact the service centre and send the device for repair if necessary.
- Do not expose this device to higher temperatures and protect it from water and high humidity.
- Do not immerse the unit in water!
- Protect the device from severe shocks!
- For this device only use accessories and spare parts that comply with the technical information.
- Use only the recommended batteries. Always replace weak or empty batteries with a new, complete set of batteries at full capacity. Do not use batteries from different brands or with different capacities. Remove the batteries from the unit if it has not been used for a long time.
- Never use rechargeable batteries.



## NOTICE

### **Risk of voltage damage!**

The manufacturer is not liable for voltage damage due to improperly inserted batteries or through the use of an improper power adapter!

## 6 Parts overview Base station

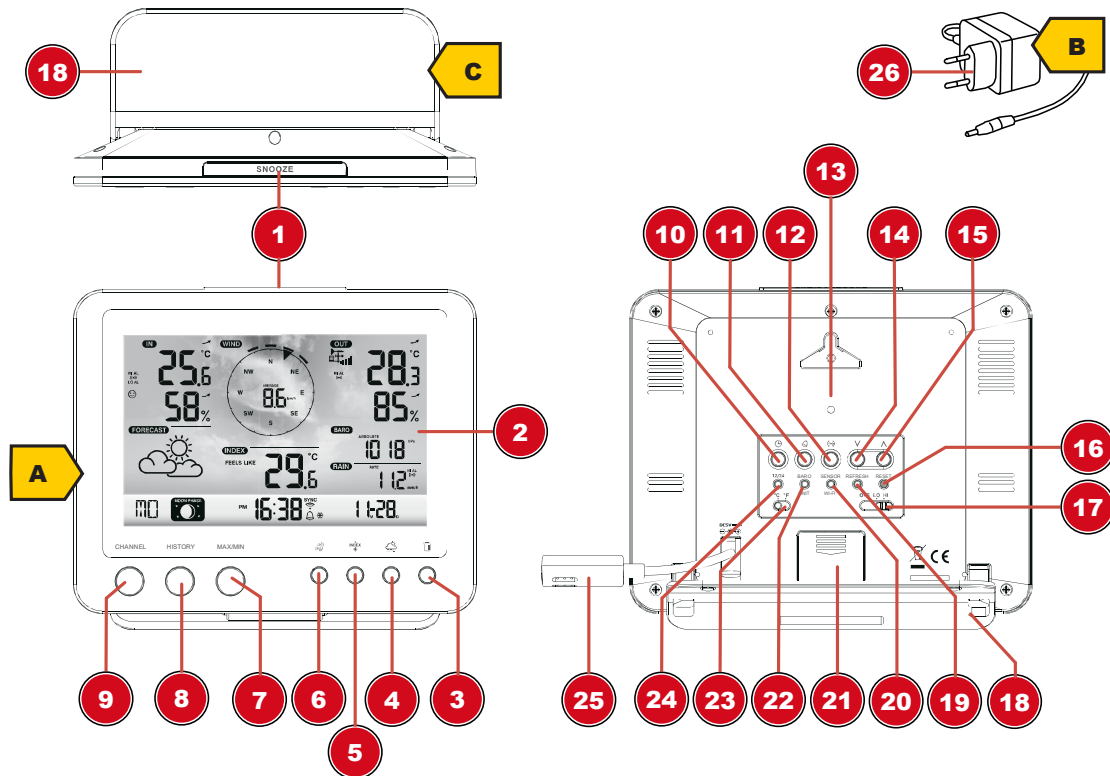


Illustration 1: All parts of the base station

|  |  |
|--|--|
| 1 SNOOZE button (snooze function)  | 2 Colour display   |
| 3 RAIN button (display of various precipitation values)  | 4 BARO button (display of different atmospheric pressure values)                     |
| 5 INDEX button (display change between 'feels like' temperature, dew point, heat index and wind chill index) | 6 WIND button (display change between average and current gust)                      |
| 7 MAX/MIN button (switch between highest, lowest or current value display)                                   | 8 HISTORY button (retrieve measurements for the past 24 hours)                       |
| 9 CHANNEL button (channel selection)   | 10 CLOCK button (manual time setting)  |
| 11 ALARM button (Alarm setting)  | 12 ALERT button (e.g. set temperature alarm)   |
| 13 Wall mount  | 14 DOWN button (Value setting downwards)   |
| 15 UP button (Value setting upwards)   | 16 RESET button (reset all settings)   |
| 17 HI/LO/OFF slide control (setting or turning off backlight)  | 18 Stand, removable  |
| 19 REFRESH button (refreshing data manually)   | 20 SENSOR / WI-FI button (start manual sensor search or activate / deactivate WI-FI) |
| 21 Battery compartment (cover)   | 22 BARO UNIT button (change of atmospheric pressure measurement unit)                |
| 23 °C/°F button (display change between °C or °F)  | 24 12/24 button (display change between 12 and 24 hours mode)                        |
| 25 Power supply socket   | 26 Power adapter   |

## 7 Parts overview Multisensor

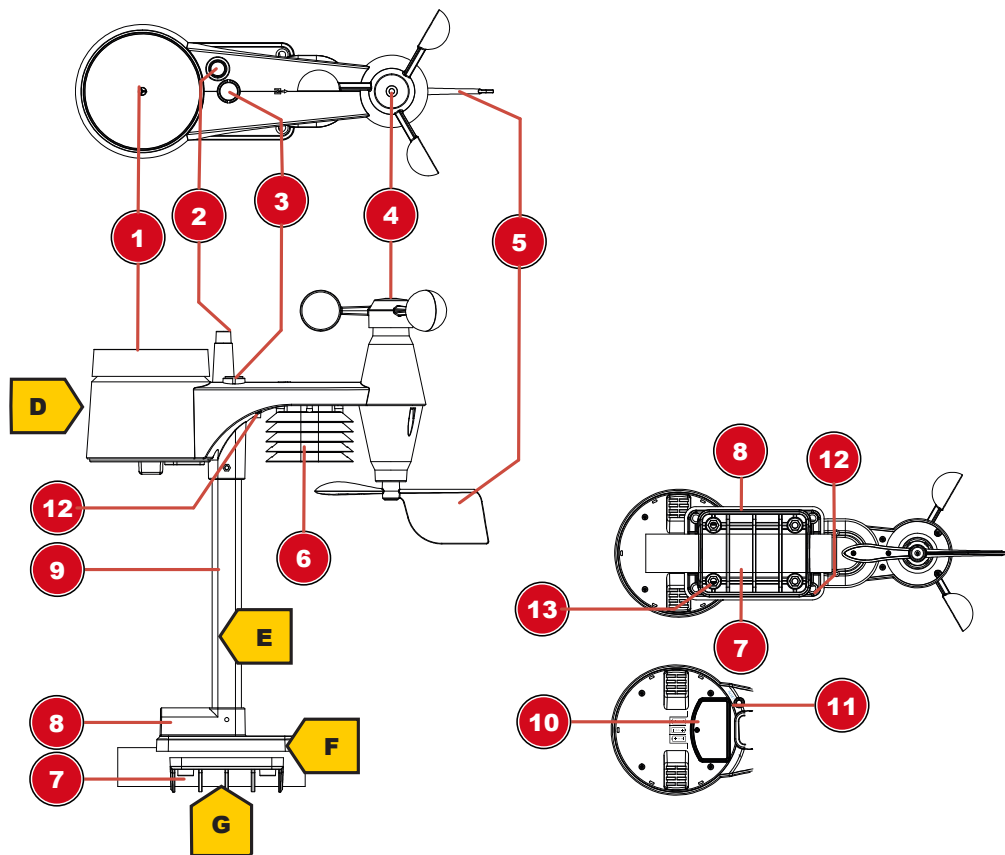


Illustration 2: All parts of the multisensor

|                              |                                |
|------------------------------|--------------------------------|
| 1 Rain gauge                 | 2 Antenna                      |
| 3 Circular level             | 4 Wind cups (wind speed)       |
| 5 wind vane (wind direction) | 6 Thermo-Hygrometer            |
| 7 Pipe clamp                 | 8 Mounting shoe                |
| 9 Mounting bar               | 10 Battery compartment (cover) |
| 11 RESET button              | 12 LED function indicator      |
| 13 Mounting screws with nuts |                                |

## 8 Scope of delivery

Base station (A), power adapter (B), stand (C), multifunctional outdoor sensor (D), mounting bar (E), mounting shoe (F), pipe clamp (G), screws, instruction manual

**Also required (not included):** 3 pcs. of 1.5V AA type batteries (outdoor sensor), 1 pc. of 3V CR2032 battery (base station)



## 9 Screen display

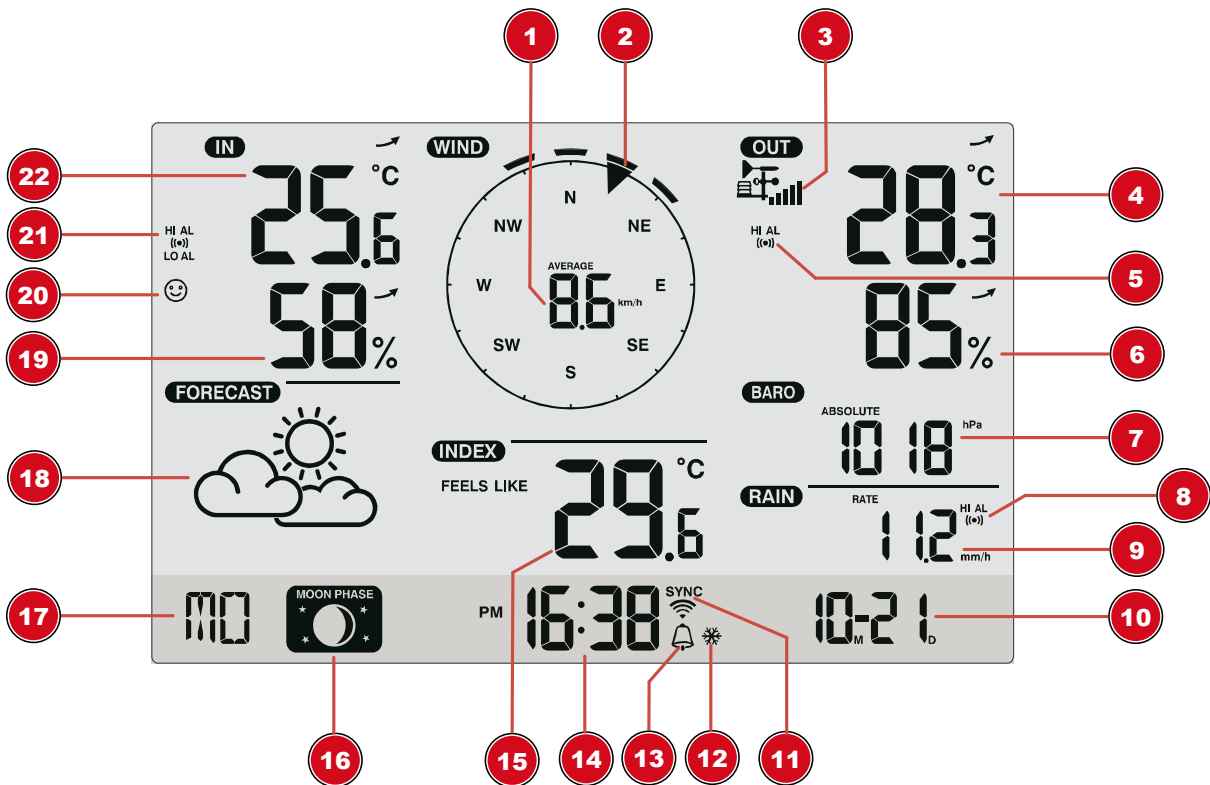


Illustration 3: Screen display

|   |                                    |
|---|------------------------------------|
| 1 Wind speed                                    | 2 Wind direction                   |
| 3 Strength of receiving signal (outdoor sensor) | 4 Outdoor temperature              |
| 5 Temperature alarm outdoors enabled            | 6 Humidity outdoors                |
| 7 Atmospheric pressure                          | 8 Precipitation alarm enabled      |
| 9 Precipitation quantity                        | 10 Date                            |
| 11 Wi-Fi synchronisation                        | 12 Frost warning enabled           |
| 13 Alarm enabled                                | 14 Current time                    |
| 15 'Feels like' temperature                     | 16 Moon phase                      |
| 17 Weekday                                      | 18 Graphical weather trend display |
| 19 Humidity indoors                             | 20 Comfort indicator (Clima)       |
| 21 Temperature alarm indoors enabled            | 22 Indoor temperature              |

## 10 Before starting operation



### NOTICE

#### Avoid connectivity disruptions!

To avoid connectivity disruptions between the devices, consider the following points before starting operation.

1. Place base station (receiver) and remote sensor (sender) together as close as possible.
2. Set up power supply for the base station and wait until the indoor temperature is displayed.

- 
3. Set up power supply for the remote sensor.
  4. Position the base station and the remote sensor within the effective transmission range.
  5. Ensure that the base station and remote sensor are assigned to the same channel.

When changing batteries always change batteries in the main unit as well as all remote units and replace them in the correct order, so the remote connection can be re-established. If either of the devices is mains-powered, the power supply must be disconnected for a short moment also for this device when exchanging the batteries. If batteries are exchanged in only one of the devices (i.e. the remote sensor) the signal can't be received or can't be received correctly.

Note, that the effective range is vastly affected by building materials and position of the main and remote units. Due to external influences (various RC devices and other sources of interference), the maximum distance can be greatly reduced. In such cases we suggest to position the main unit and the remote sensor at other places. Sometimes all it takes is a relocation of one of these components of a few inches!

## 11 First Steps

Follow the bullet points in order, to ensure a successful setup.

- Setting up power supply (base station and wireless sensor)
- Mount the remote sensor
- The base station is now in AP mode (LED flashes green) and ready for initial setup.
- Create a Weather Underground account and add the station to your account ("My Profile" / "Add Weather station"). Here you will receive a station ID and a password, which will be needed in the next step.
- Setting up the base station (Establish Wi-Fi / Router connection)
- Viewing weather data via web, mobile or tablet

## 12 Setting up power supply

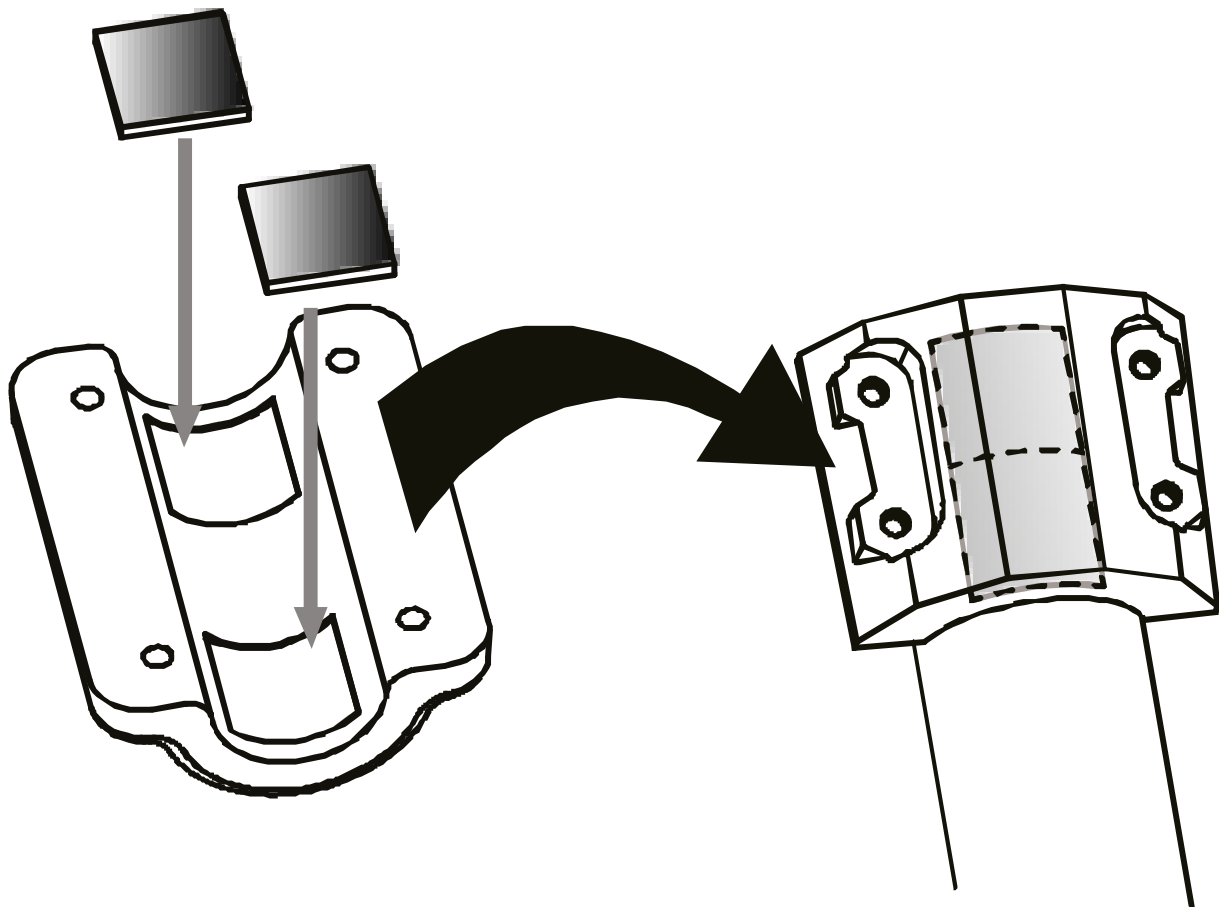
### **Base station**

1. Insert the DC connector into the connection socket of the base station.
2. Insert the mains plug into the power outlet.
3. The device is energized directly.

### **Remote sensor**

4. Loosen the screw at the battery compartment cover with a small Philips screwdriver and remove the cover.
5. Insert the batteries into the battery compartment. Ensure that the battery polarity (+/-) is correct.
6. Replace the cover and retighten it with the screw.

## 13 Attaching rubber pads



Attach the supplied self-adhesive rubber pads to the clamps as shown to ensure a firmer fitting of the mounting rod.

## 14 Assembling and installing the multifunctional remote sensor

Depending on the desired location, the remote sensor can be installed in two different ways.

**NOTICE! During the assembly make sure that the upper part of the wind vane is minimum 1.5 meters off the ground. Use the circular level in the sensor head to ensure a level installation. The windmill must point to the North.**

### ***Assembly on a vertical or horizontal wooden element***

1. Slide one end of the assembly bar into the aperture below the sensor head.
2. Slide one screw through the bore hole and put on the nut on the opposite site. Tighten the screw connection by hand.
3. Depending on the desired orientation, slide the opposite end of the assembly bar into the aperture for vertical or horizontal mounting of the assembly base.
4. Slide another screw through the bore hole of the assembly base and put on the nut on the opposite site. Tighten the screw connection by hand.
5. Place the assembly base with its bottom site first on a wooden element. Use 4 wood screws to tighten it.

### ***Assembly on a vertical or horizontal tube***

6. Repeat steps 1 to 4 as before.
7. Place the assembly base with its bottom site first on the tube. Push the tube bracket against the tube from the opposite site.
8. Slide 4 screws through the bore holes of the assembly base and through the bore holes of the tube bracket on the other site.
9. Put on the 4 nuts and tighten the screw connection by hand.

## 15 Signal transmission

The base station will automatically connect to the multi outdoor sensor and (if available) to other wireless sensors. You can also press the Wi-Fi / SENSOR button to start a manual search for the remote sensors. When the connection is successful, the outdoor symbol (OUT) and/or the channel will be shown on the display.

### Connection status display

| Connection status                    | Screen display              |
|--------------------------------------|-----------------------------|
| Good signal                          | Reception symbol            |
| Sensor searching mode                | Reception symbolcon flashes |
| No signal over 48 hours              | 'Er' (Error) is shown       |
| Sensors low battery with good signal | Battery symbol is shown     |

## 16 Setting up an user account for Weather Underground (optional)

1. Enter the following web address in the address bar of the web browser for the 'Weather Underground' service: <https://www.wunderground.com>
2. Click on 'Join' to open registration page.
3. Type in the personal user data and click on 'Sign up'.
4. Follow the further setup steps.
5. You can add your own weather station under the menu point 'Sensor Network' > 'Connect a Weather Station'.
6. A 'Station ID' and a 'Station Key/Password' will be generated automatically by the service. They are needed for later configuration of the weather station.

**NOTICE! Use a valid e-mail address for registration. Otherwise the service can not be used.**

## 17 Setting up an user account for weathercloud (optional)

1. Enter the following web address for the 'weathercloud' service in the address bar of the web browser: <https://weathercloud.net>
2. Type in the personal user data and click on 'Sign up'.
3. After registration and verification of the e-mail address chose the menu point 'Devices' in the user account.
4. Click on the link 'Create device' under 'Your devices' and follow the instructions to add a new device. For 'Model' chose the option 'W100 Series' under 'CCL'. For 'Link type' chose the option 'Pro Weather Link'.
5. A 'weathercloud ID' and a 'Key' will be generated automatically by the service. They are needed for later configuration of the weather station.

**NOTICE! Use a valid e-mail address for registration. Otherwise the service can not be used.**

# 18 Configuration / Setting up a WI-FI connection

1. If the base station has not yet been connected to a router, it will switch to AP (Access Point Mode) mode after the first power supply. The display will show 'AP' and the symbol for WI-FI synchronization.
2. Use a smartphone, tablet or computer to connect to Wi-Fi.

**NOTICE! The respective device itself must also be equipped with a WI-FI function.**

3. In the system settings of the device, switch to W-LAN or WI-FI settings and select the wireless network (SSID) named 'PWS-XXXXXX'.
4. After successful connection via the address bar of the web browser, enter the IP address 'http: //192.168.1.1' to establish a connection to the settings menu of the weather station.

**NOTICE! Always prepend 'http: //' to the IP address to avoid browser dependent connection errors. Recommended browsers: the latest version of Chrome, Safari, Edge, Firefox or Opera.**

5. Make the following settings in the settings menu:

The screenshot shows the 'Pro Weather Link' SETUP page. It has a 'Language' dropdown set to 'English'. There are two tabs: 'SETUP' (selected) and 'ADVANCED'. The 'WiFi Router setup' section includes a 'Search' button, an 'Add Router' button, a 'Router' dropdown menu (set to 'ROUTER\_A'), a 'Security type' dropdown menu (set to 'WAP2'), and a 'Router Password' field with a masked password '\*\*\*\*\*'. The 'Weather server setup' section has two sub-sections: 'Wunderground' and 'Weathercloud', both with checked checkboxes. Each sub-section has a 'Station ID' and 'Station key' field. The 'Mac address' is '00:0E:C6:00:07:10'. The 'Time server setup' has a 'Server URL' dropdown menu (set to 'nist,time.gov'). At the bottom, there is an 'Apply' button. Annotations with red lines point to various elements: 'SETUP' tab, 'ADVANCED' tab, 'Search' button, 'Add Router' button, 'Router' dropdown, 'Security type' dropdown, 'Router Password' field, 'Wunderground' checkbox, 'Station ID' and 'Station key' fields for both Wunderground and Weathercloud, 'Mac address', 'Server URL' dropdown, and the 'Apply' button.

\*Leave field blank if registration is not yet available and entries are to be made later.  
 \*\*Manual setup requires additional router information (including e.g. IP address, SSID, etc)

6. After completing the settings, the device will recognize the default WI-FI connection after each re-start.
7. In Access Point Mode, the WI-FI / SENSOR button can be pressed for 6 seconds to restore the previous settings.

### WI-FI connection status:

|   |   |                                  |
|---|---|----------------------------------|
| WI-FI symbol is shown in the display      | WI-FI symbol flashes in the display                             | AP symbol flashes in the display |
| Connection to the WI-FI router successful | Connection to the WI-FI router not stable or ongoing connection | Access Point Mode enabled        |

---

## 19 Automatic time setting

Once the power supply and internet connection is established, the time and date information (UTC Coordinated Universal Time) is transmitted by the internet time server automatically.

If the reception is correct, date and time are set automatically and the reception icon 'SYNC' is displayed.

If the time / date information has not been received or is not received correctly, proceed as follows:

1. In countries / regions whose time zone differs from the coordinated world time UTC, the time zone must be set manually (see chapter 'Set time zone ') to show the correct time.
2. Press the REFRESH button on the base unit for about 2 seconds to re-initiate retrieval of the Internet time information.
3. Check the W-LAN settings on the base unit for correctness and, if necessary, correct them so that an Internet connection can be established (see chapter, Establishing a W-LAN connection).

## 20 Manual time setting

To set the time / date manually, first disable the reception of the time signal by pressing the RCC button for approx. 8 seconds.

1. Press and hold CLOCK SET button for approx. 3 seconds to change to time setting mode.
2. Digits to be set are flashing.
3. Press UP or DOWN button to change the value.
4. Press CLOCK SET button to confirm and continue to the next setting.
5. Settings order: time offset > daylight saving time on/off > hours > minutes > 12/24 hours mode > year > month > day > day/month display change > time synchronization on/off > language

**NOTICE! When time is set manually, the time synchronization must be deactivated.**

6. Finally press the CLOCK SET button to save the settings and exit the setting mode.

**NOTICE! In normal display mode, press CLOCK SET button to switch between year display and date display. In setting mode, press CLOCK SET button for about 2 seconds to return to the normal display mode.**

## 21 Time zone setting

To set a different time zone, proceed as follows:

1. Press and hold CLOCK SET button for approx. 3 seconds to change to time setting mode. The current value for the time offset flashes.
2. Press up or DOWN button to set the desired hour value (0 to 10 hours) for the time offset.
3. Finally press the CLOCK SET button for approx. 3 seconds to save the settings and exit the setting mode.

## 22 Manual measurement display

1. Press MAX/MIN button several times to display the stored values one after another.
2. Display order: Current values > MAX (highest values) > MIN (lowest values)
3. When highest or lowest values are displayed, press and hold MAX/MIN button for approx. 3 seconds to switch temperature unit display from °C to °F or reverse.

**NOTICE! Saved highest and lowest values will be deleted automatically every day on 0:00!**

## 23 Technical data

**Base station**

|                             |   |
|-----------------------------|---|
| Main power                  | DC 5V 1A adaptor<br>Type: XLJXA-E050100 |
| Temperature measuring range | -5°C – 50°C                             |
| Dimensions                  | 79 x 157 x 41 mm (B x H x T)            |
| Weight                      | 130 g                                   |

### Multisensor

|                             |   |
|-----------------------------|---|
| Batteries                   | 3x AA, 1.5V   |
| Auxiliary power             | Solar panel   |
| Maximum number of sensors   | 1x wireless multisensor<br>1x wireless indoor sensor (optional) |
| RF transmission frequency   | 868Mhz  |
| RF Transmission range       | 150 m   |
| Maximum radio-frequency     | < 25mW  |
| Temperature measuring range | -40°C – 60°C (-40°F – 140°F)                                    |
| Barometer measuring range   | 540 – 1100hPa (relative range: 930 – 1050hPa)                   |
| Humidity measuring range    | 1 – 99%   |
| Humidity resolution         | 1% HR   |
| Rainfall measuring range    | 0 – 19999 mm (0 – 787.3 inch)                                   |
| Wind seed measuring range   | 0 – 112 mph, 50 m/s, 180km/h, 97 knots                          |
| UV index range              | 1 – 16  |
| Dimensions                  | 392.2 x 326 x 144.5 mm (B x H x T)                              |
| Weight                      | 1096g   |

### Wi-Fi specifications

|                            |  |
|----------------------------|--|
| Wi-Fi Standard             | 802.11 b/g/n   |
| Wi-Fi operating frequency  | 2.4 GHz  |
| Supported devices          | Smart devices with built-in Wi-Fi AP mode (Access point) function, PCs or laptops, android or iOS Smartphones/Tablets. |
| Supported Internet browser | Internet browser with HTML 5 support   |

## 24 EC Declaration of Conformity

Hereby, Bresser GmbH declares that the equipment type with item number 7002580 : is in compliance with Directive: 2014/30/EU. The full text of the EU declaration of conformity is available at the following internet address: [www.bresser.de/download/7002580/CE/7002580\\_CE.pdf](http://www.bresser.de/download/7002580/CE/7002580_CE.pdf)

## 25 Disposal



Dispose of the packaging materials properly, according to their type, such as paper or cardboard. Contact your local waste-disposal service or environmental authority for information on the proper disposal.



Do not dispose of electronic devices in the household garbage!

As per Directive 2012/19/EC of the European Parliament on waste electrical and electronic equipment and its adaptation into German law, used electronic devices must be collected separately and recycled in an environmentally friendly manner.



Do not dispose of batteries and rechargeable batteries with the household waste. You are legally required to return used batteries and rechargeable batteries. After they are used, the batteries can be returned free of charge to our point of sale or to a nearby location (for example, retailers or municipal collecting points).

Batteries and rechargeable batteries are marked with a symbol of a crossed-out dustbin and the chemical symbol of the pollutant. "Cd" stands for Cadmium, "Hg" stands for mercury and "Pb" stands for lead.



Cd<sup>1</sup>



Hg<sup>2</sup>



Pb<sup>3</sup>









## Service

**DE AT CH BE**

Bei Fragen zum Produkt und eventuellen Reklamationen nehmen Sie bitte zunächst mit dem Service-Center Kontakt auf, vorzugsweise per E-Mail.

**E-Mail:** [service@bresser.de](mailto:service@bresser.de)  
**Telefon\*:** +49 28 72 80 74 210

BRESSER GmbH  
Kundenservice  
Gutenbergstr. 2  
46414 Rhede  
Deutschland

\*Lokale Rufnummer in Deutschland (Die Höhe der Gebühren je Telefonat ist abhängig vom Tarif Ihres Telefonanbieters); Anrufe aus dem Ausland sind mit höheren Kosten verbunden.

**GB IE**

Please contact the service centre first for any questions regarding the product or claims, preferably by e-mail.

**e-mail:** [service@bresseruk.com](mailto:service@bresseruk.com)  
**Telephone\*:** +44 1342 837 098

BRESSER UK Ltd  
Unit 1 starborough Farm,  
Starborough Road, Nr Marsh Green,  
Edenbridge, Kent TN8 5RB  
Great Britain

\*Number charged at local rates in the UK (the amount you will be charged per phone call will depend on the tariff of your phone provider); calls from abroad will involve higher costs.

**FR BE**

Si vous avez des questions concernant ce produit ou en cas de réclamations, veuillez prendre contact avec notre centre de services (de préférence via e-mail).

**e-mail:** [sav@bresser.fr](mailto:sav@bresser.fr)  
**Téléphone\*:** +33 494 592 599

BRESSER France SARL  
Pôle d'Activités de Nicopolis  
260, rue des Romarins  
83170 Brignoles  
France

\*Prix d'un appel local depuis la France ou Belgique

**NL BE**

Als u met betrekking tot het product vragen of eventuele klachten heeft kunt u contact opnemen met het service centrum (bij voorkeur per e-mail).

**e-mail:** [info@folux.nl](mailto:info@folux.nl)  
**Téléfono\*:** +31 528 23 24 76

Folux B.V.  
Smirnoffstraat 8  
7903 AX Hoogeveen  
Nederlands

\*Het telefoonnummer wordt in het Nederland tegen lokaal tarief in rekening gebracht. Het bedrag dat u per gesprek in rekening gebracht zal worden, is afhankelijk van het tarief van uw telefoon provider; gesprekken vanuit het buitenland zullen hogere kosten met zich meebrengen.

**ES CA PT**

Si desea formular alguna pregunta sobre el producto o alguna eventual reclamación, le rogamos que se ponga en contacto con el centro de servicio técnico (de preferencia por e-mail).

**e-mail:** [servicio.iberia@bresser-iberia.es](mailto:servicio.iberia@bresser-iberia.es)  
**Téléfono\*:** +34 91 67972 69

BRESSER Iberia SLU  
c/Valdemorillo,1 Nave B  
P.I. Ventorro del cano  
28925 Alcorcón Madrid  
España

\*Número local de España (el importe de cada llamada telefónica dependen de las tarifas de los distribuidores); Las llamadas des del extranjero están ligadas a costes suplementarios.