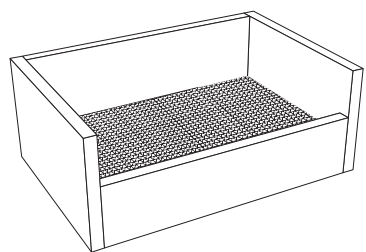


CAT SCRATCHER BED



Included

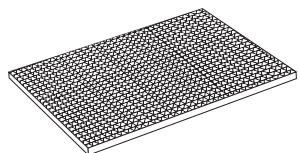
18 Pins



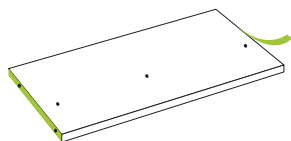
Glue



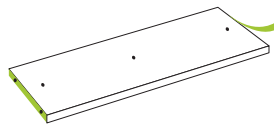
1 Bottom zBoard



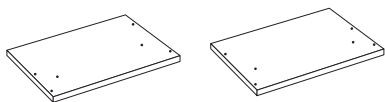
1 Scratcher Board



1 Back zBoard



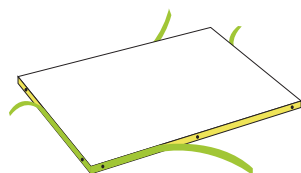
1 Front zBoard



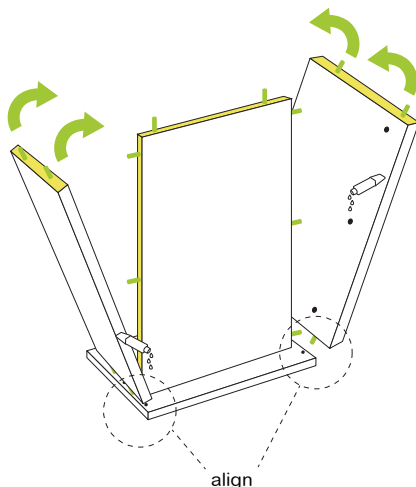
2 Side zBoards



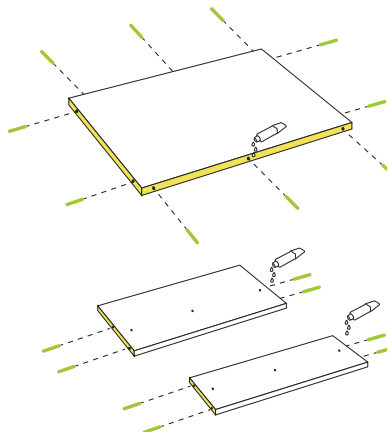
- Assemble your unit on a flat even surface
- Make sure zBoard surfaces are clean and dry
- When moving your Way Basics unit, lift from the bottom
- Use indoors and in dry areas only. Do not use in the bathroom



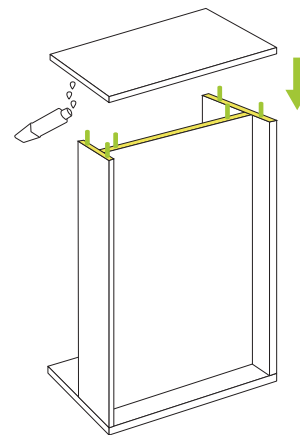
- 1** Carefully remove the protective layer on Front zBoard, Back zBoard and Bottom zBoard (making sure not to remove the 3M adhesive shown in yellow).
Tip: Peel protective layer from side.



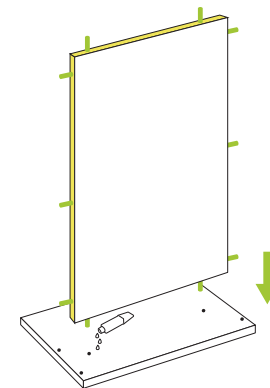
- 4** Apply glue in all holes of Front zBoard and Back zBoard. Align Front and Back zBoard to Side zBoard and join to Bottom zBoard as shown.



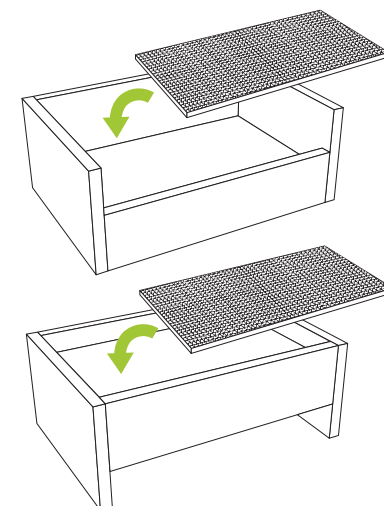
- 2** Apply glue in all holes before inserting alignment pins.



- 5** Apply glue in hole of second Side zBoard. Join to assembled unit and press firmly.



- 3** Apply glue in all holes of Side zBoard. Join the Bottom zBoard to the Side zBoard.



- 6** Choose between low style or elevated style. Place Scratcher board into unit. Done!



WARNING: CHOKING HAZARD
Small parts NOT for children under 3 years

