

# CAT LITTER BOX ONE DOOR

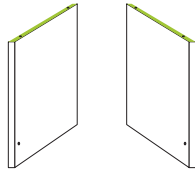


way basics

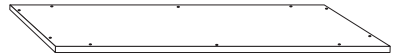
Newport Beach est. 2008

## Included

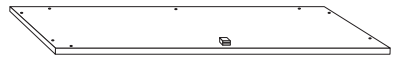
19 Pins



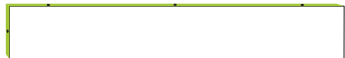
2 Vertical zBoards



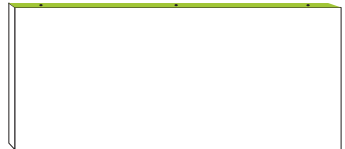
1 Horizontal zBoard (without magnetic lock)



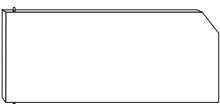
1 Horizontal zBoard (with magnetic lock)



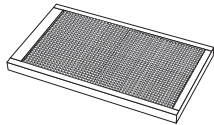
1 Short Front zBoard



1 Back zBoard

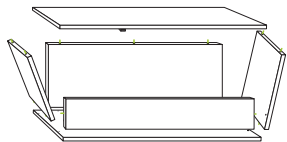


1 Door



1 Litter Mat

## Important



THIS SIDE UP

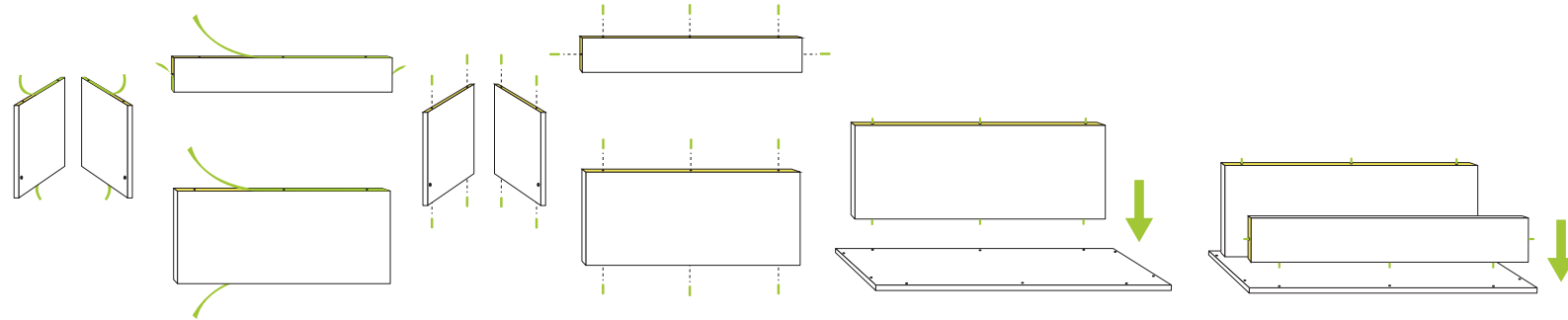
**DO NOT** place unit on its side or back as it will compromise its structural integrity.

**WARNING: CHOKING HAZARD**  
Small parts NOT for children under 3 years

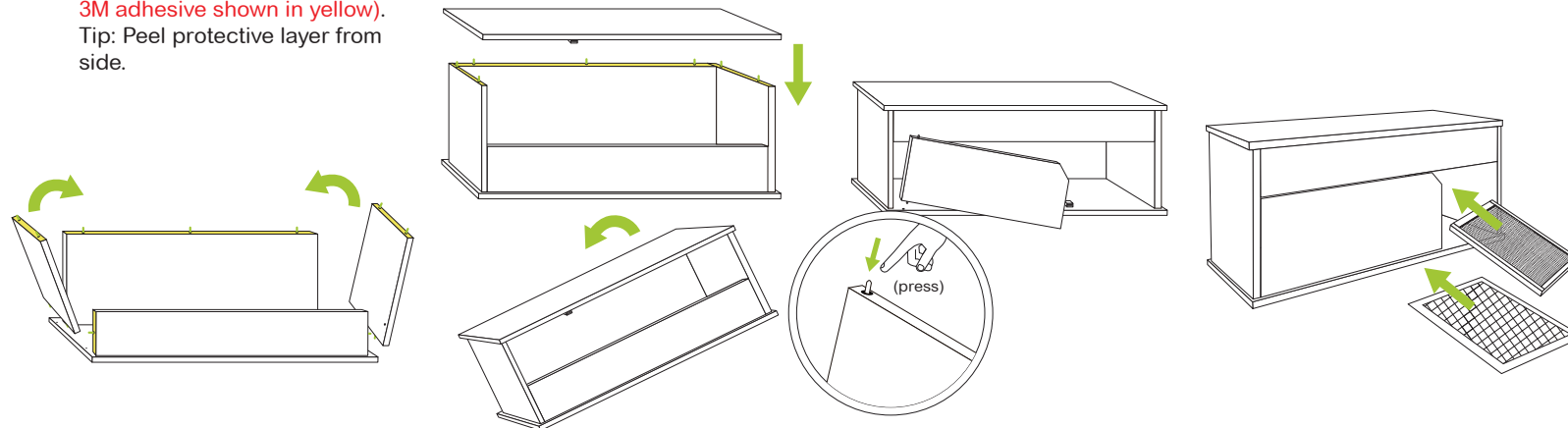


- Assemble your unit on a flat even surface
- Make sure zBoard surfaces are clean and dry

- When moving your Way Basics unit, lift from the bottom
- Use indoors and in dry areas only. Do not use in the bathroom



- Carefully remove the protective layer on the Vertical zBoards, Front zBoard and Back zBoard (making sure not to remove the 3M adhesive shown in yellow). Tip: Peel protective layer from side.
- Insert pins as shown.
- Align Back zBoard to Horizontal zBoard without magnetic lock.
- Align Front zBoard to Horizontal zBoard without magnetic lock.



- Align Vertical zBoards to Horizontal zBoard without magnetic lock.
- Align Horizontal zBoard with magnetic lock as shown. Press firmly to secure unit together then carefully flip over as shown.
- Position door as shown. Align bottom door pin to hole. Press on spring loaded top pin and insert.
- Place litter mat inside the litter box. Optional: Place a pee pad protector under your litter pan if needed to protect your litter box enclosure.



Contact Us [www.waybasics.com/contact](http://www.waybasics.com/contact)



Need Help? Call or text 949 229 3304

version 1121