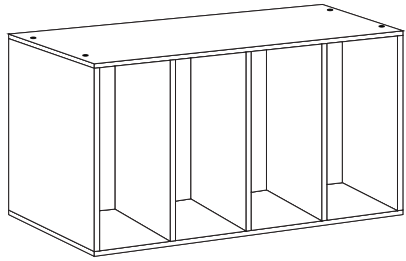


PURSE ORGANIZER TALL



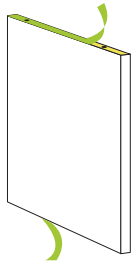
Included



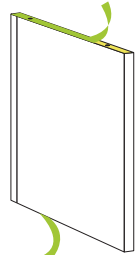
24 Pins



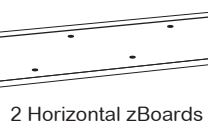
4 Backer Boards
(thin and no adhesive)



2 Vertical zBoards
(groove on one side)



3 Vertical zBoards
(groove on both sides)

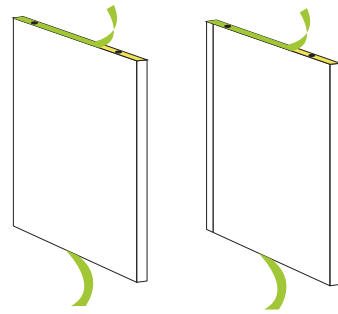


2 Horizontal zBoards

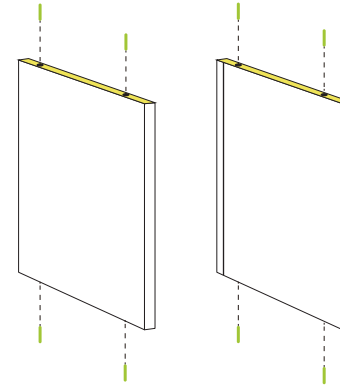


- Assemble your unit on a flat even surface
- Make sure zBoard surfaces are clean and dry

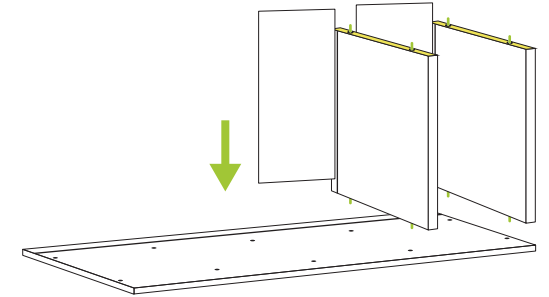
- Do not place unit on its side or back as it will compromise its structural integrity
- Indoor use only. Not in bathroom



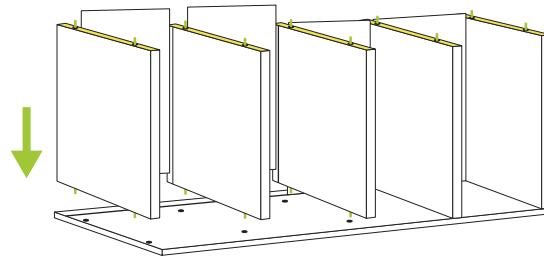
- 1** Carefully remove the protective layer on the Vertical zBoards, making sure not to remove the 3M adhesive (shown in yellow).



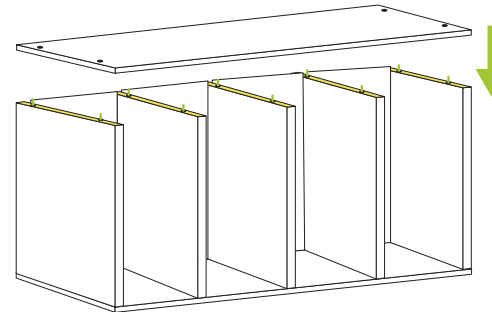
- 2** Insert pins as shown.



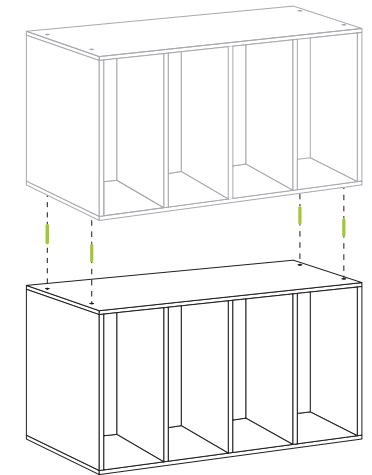
- 3** Align Vertical zBoard and Backer Boards as shown to Horizontal zBoard.



- 4** Continue to align Vertical zBoards and Backer Boards to Horizontal zBoard.



- 5** Align Horizontal zBoard on top of the Vertical zBoards and press firmly to secure unit together.



- 6** Easily expand your storage with another stacking unit. Use alignment pins to keep the units from sliding. Enjoy building possibilities!



WARNING: CHOKING HAZARD
Small parts NOT for children under 3 years

