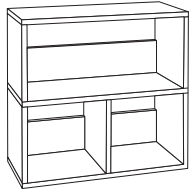


# CUBBY ORGANIZER



## Included

32 Pins

2 Small Backboards

1 Large Backboard

1 Vertical Middle zBoard  
pin hole on both sides

4 Vertical side zBoards  
pin hole on one side

1 Top Horizontal zBoard  
4 pin holes

1 Middle Horizontal zBoard  
pin holes on top and bottom

1 Bottom Horizontal zBoard  
10 pins holes

 **WARNING: CHOKING HAZARD**  
Small parts NOT for children under 3 years

## Important



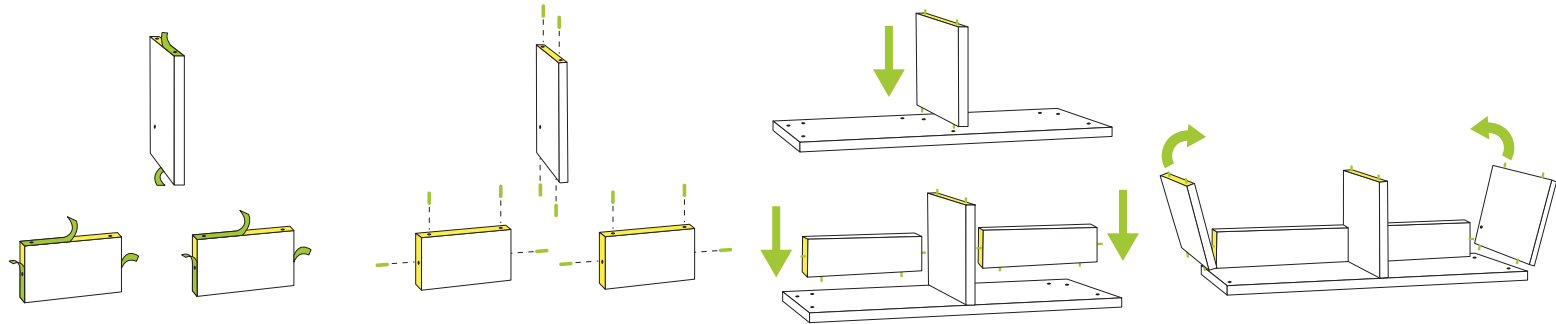
THIS SIDE UP

**CAUTION** placing unit on its side or back will compromise structural integrity. Use right side up.



- Assemble your unit on a flat even surface
- Make sure zBoard surfaces are clean and dry

- When moving your Way Basics unit, lift from the bottom
- Indoor use only. Not in bathroom.

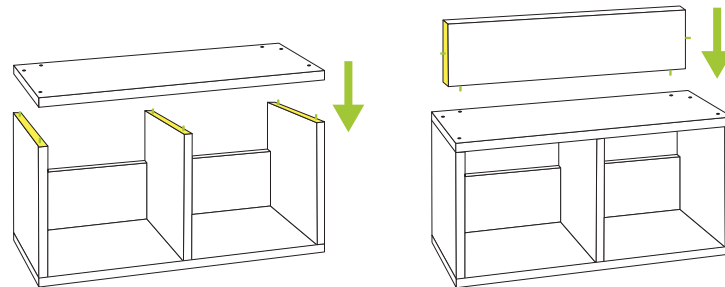


**1** Carefully remove the protective layer leaving the 3M adhesive on zBoard (adhesive shown in yellow).

**2** Place alignment pins in vertical zBoards and vertical middle zBoard

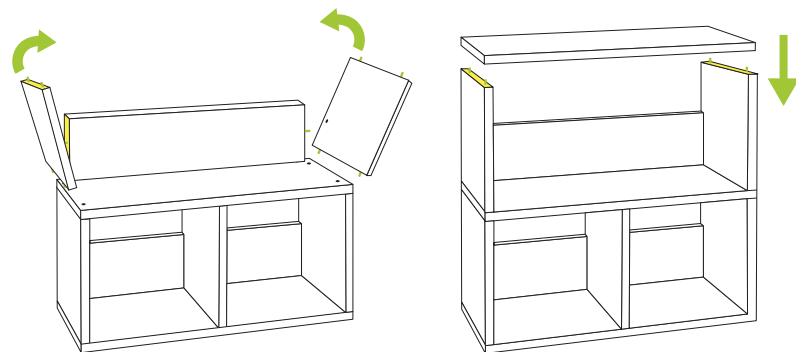
**3** First align the middle vertical zBoard and press down firmly. Next align small bottom zBoards to horizontal and vertical zBoard as shown. Press down firmly.

**4** Align vertical side zBoard to unit as shown. Press down firmly.



**5** Align middle horizontal zBoard (holes on both sides) to unit as shown. Press down firmly.

**6** Align large backboard to unit as shown and press down firmly.



**7** Align vertical side zBoard to unit as shown. Press down firmly.

**8** Align top horizontal zBoard (holes on one side) to unit as shown. Press down firmly.

Enjoy building possibilities!

