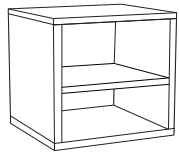


CONNECT SHELF CUBE



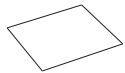
Included



12 Alignment Pins
4 connectors pins



2 Vertical zBoards
adhesive strips on 2 edges



1 Backer Board
thin and has no adhesive



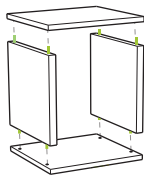
2 Horizontal zBoards
with grooves



1 Middle zBoard
adhesive strips on 2 edges

 **WARNING: CHOKING HAZARD**
Small parts NOT for children under 3 years

Important

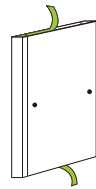


↑
THIS SIDE UP

DO NOT place unit on its side or back as it will compromise its structural integrity.



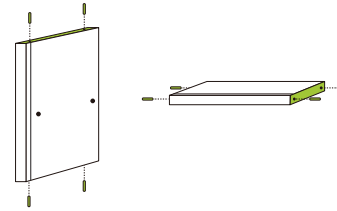
- Assemble your unit on a flat even surface, carpet not recommended
- Furniture is for indoor use only
- When moving your Way Basics furniture, lift from the bottom
- Make sure zBoard surfaces are clean and dry



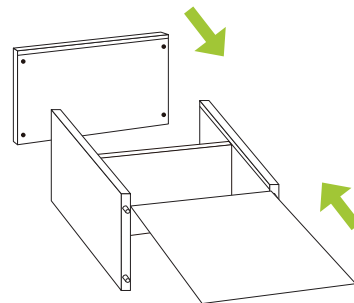
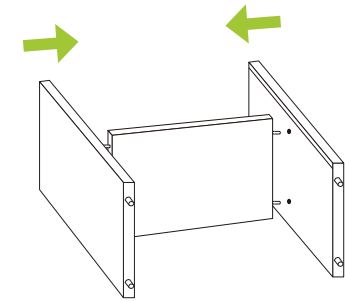
1 Carefully remove the 3M protective layer from adhesive.



2 Place alignment pins in middle zBoard and vertical zBoards.

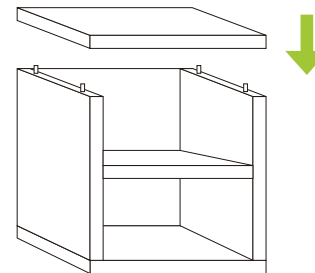


3 Align vertical zBoards to middle zBoard.

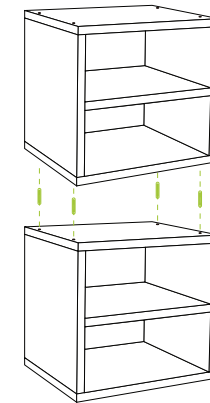


4 Align a horizontal zBoard and slide in backer board.

5 Align horizontal zBoard and press firmly to secure unit together.



6 Join other connect cubes with connector pins! Visit links below for more details. Enjoy building possibilities!



Note Use included decals to cover the connector holes if not stacking cubes.



IT'S NOT WOOD! Thank you for saving trees



Simple
World's Easiest Assembly



Safe
Zero Formaldehyde or VOC

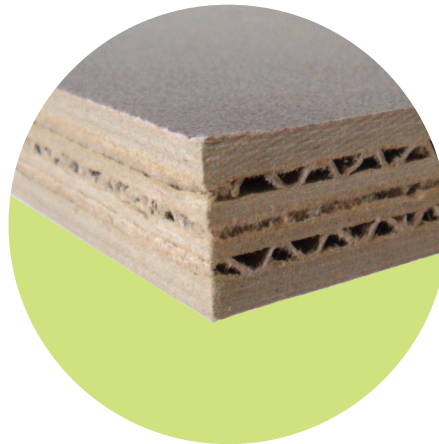


Eco
99% recycled 100% recyclable

flip for assembly guide 



Paper products are recycled after use



We use this recycled paper to create **zBoard**



zBoard products create a healthier world, healthier you!



Thank you for choosing Way Basics. At Way Basics we stand behind our products with a LIFETIME GUARANTEE. Your happiness is important to me and it's our goal to provide a 5-star-service with every purchase. Please call, text, or email me for help!

Jimmy Chiang

Way Basics Founder
jimmy@waybasics.com 949-229-1662

LET US
HELP

No need to return

