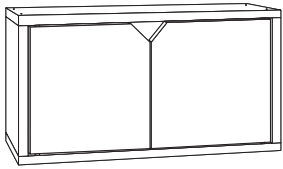


CONNECT RECTANGLE WITH DOOR



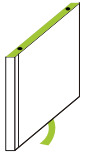
Included



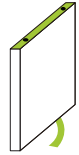
1 Backer Board
thin and no adhesive



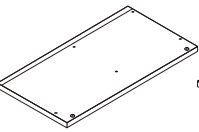
16 pins
4 pins for connection



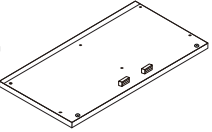
2 Vertical zBoards
adhesive strips on 2 edges



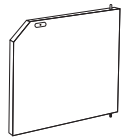
1 Center zBoard
adhesive strips on 2 edges



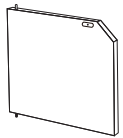
1 Bottom zBoard
with door pin slots



1 Top zBoard
with magnetic door stoppers



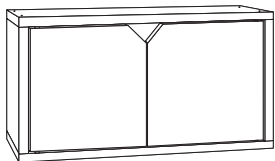
1 zBoard Door -
right side



1 zBoard Door -
left side

WARNING: CHOKING HAZARD
Small parts NOT for children under 3 years

Important



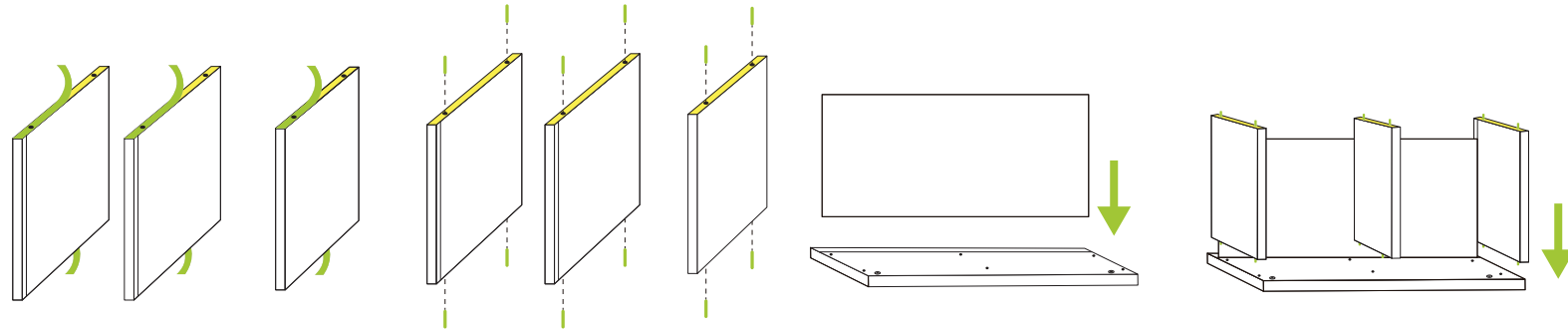
THIS SIDE UP

CAUTION placing unit on its side or back will compromise structural integrity. Use right side up.

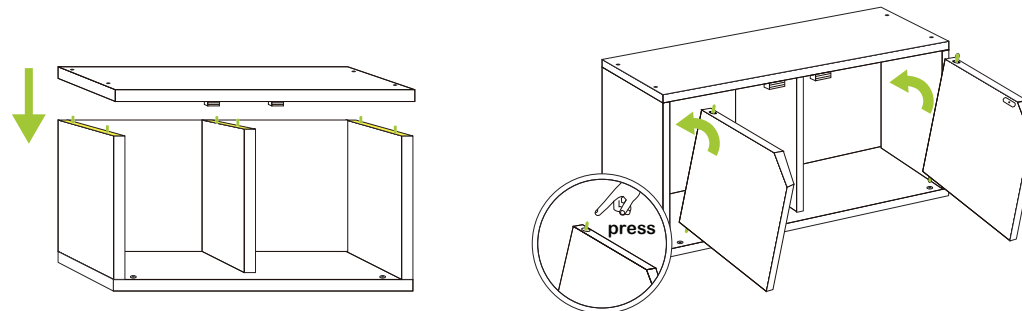


- Assemble your unit on a flat even surface
- Make sure zBoard surfaces are clean and dry

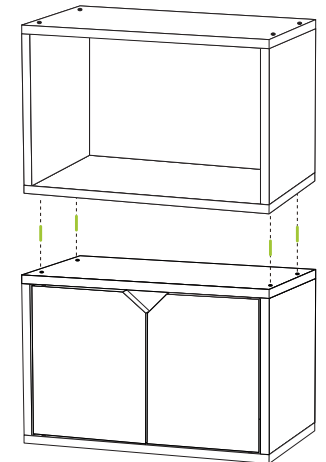
- When moving your Way Basics unit, lift from the bottom
- Indoor use only. Not in bathroom.



- Carefully remove the protective layer on the Vertical and middle zboards, making sure not to remove the 3M adhesive.
- Insert pins as shown.
- Fit backer board in groove of Bottom zBoard.
- Arrange Vertical zBoards with grooves facing the backer board as shown, then align middle zboard to holes in Bottom zBoard.



- Align Top zBoard to unit as shown. Press down firmly to secure.
- Orient doors properly as shown and align Bottom pins. Press on spring loaded Top pins and insert.



- Stack other Connect Rectangles with connecting pins for your perfect configuration.

Enjoy building possibilities!

