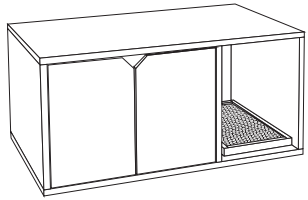
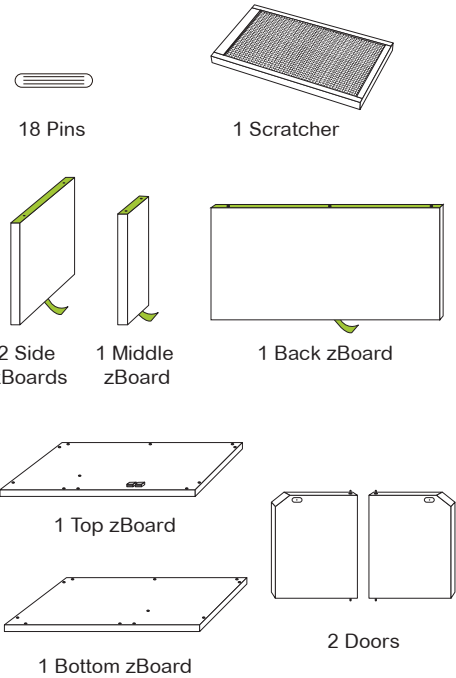


CAT LITTER

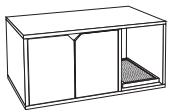


Included



WARNING: CHOKING HAZARD
Small parts NOT for children under 3 years

Important



THIS SIDE UP

CAUTION placing unit on its side or back will compromise structural integrity. Use right side up.



- Assemble your unit on a flat even surface
- Make sure zBoard surfaces are clean and dry

- When moving your Way Basics unit, lift from the bottom
- Indoor use only. Not in bathroom.

Back zBoard

- Carefully remove the protective layer leaving the 3M adhesive on zBoard (adhesive shown in yellow).
- Insert alignment pins to back zBoard.
- Align back zBoard to horizontal zBoard. Press down firmly.
- Remove adhesive from side zBoards and middle zBoard.
- Insert alignment pins to side zBoards and middle zBoard.
- Align vertical zBoards to horizontal zBoard as shown. Press down firmly.
- Align horizontal zBoard to unit as shown. Press down firmly.
- Orient door properly as shown and align bottom pin. Press on spring loaded top pin and insert.
- Place cat scratcher in unit. Put your cat litter box inside doors.

Optional Place a pee pad protector under your litter pan if needed to protect your litter box enclosure.

