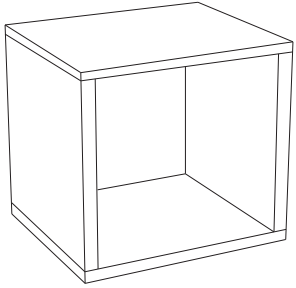
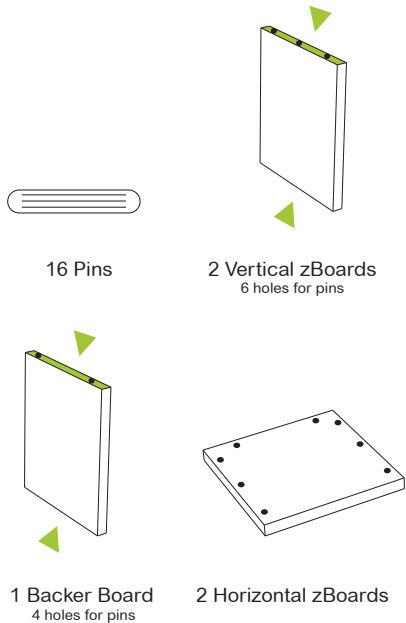


# BLOX CUBE



## Included

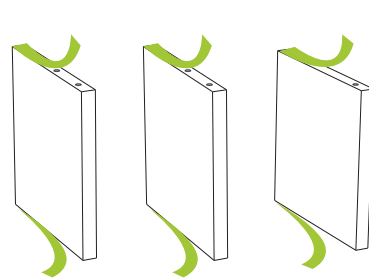


 **WARNING: CHOKING HAZARD**  
Small parts NOT for children under 3 years

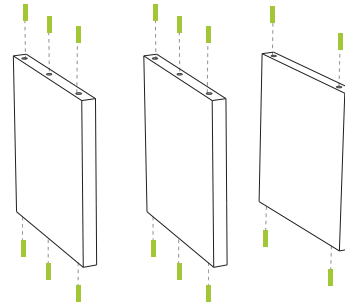


- Assemble your unit on a flat even surface
- Make sure zBoard surfaces are clean and dry

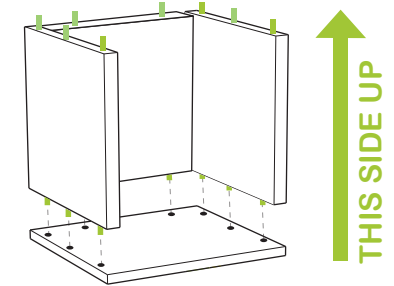
- Do not place unit on its side or back as it will compromise its structural integrity
- Indoor use only. Not in bathroom



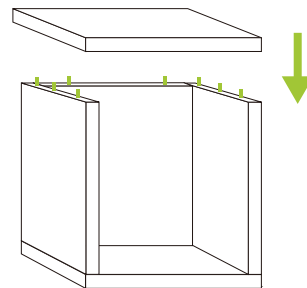
- 1 Carefully remove the 3M protective layer from adhesive.



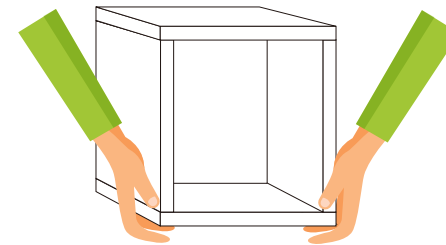
- 2 Place alignment pins in vertical zBoards and backboard.



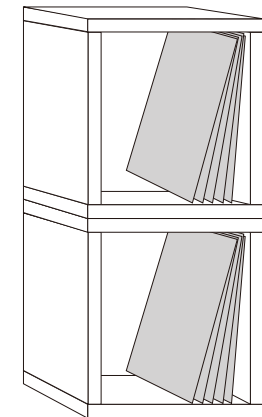
- 3 Start assembly from bottom to top. Align vertical zBoards and backboard to holes in the horizontal zBoard.



- 4 Align horizontal zBoard and press firmly to secure unit together.



- 5 When moving the unit, first empty contents. Lift the cube from the bottom zBoard to keep adhesives intact.



- 6 The Blox Storage Cube can be stacked for your custom configuration.

Enjoy building possibilities!