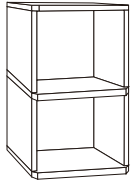
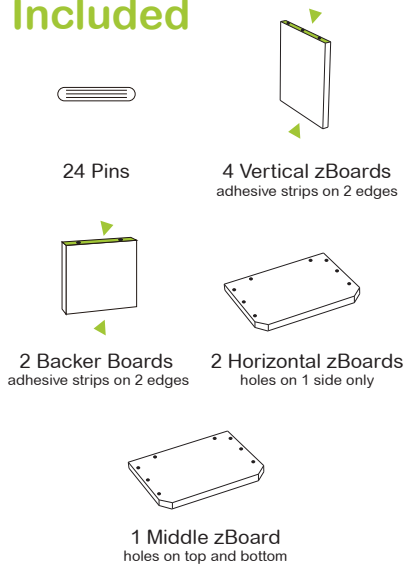


2-Shelf Vinyl Storage

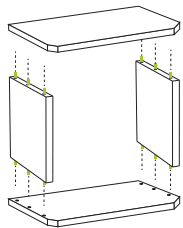


Included



WARNING: CHOKING HAZARD
Small parts NOT for children under 3 years

Important

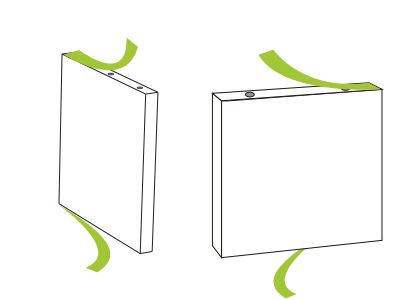


Tip Start assembly from bottom to top.

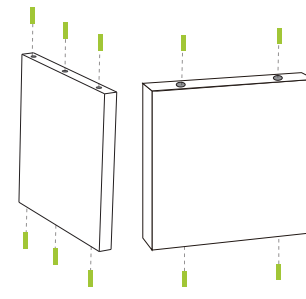
DO NOT place unit on its side or back as it will compromise its structural integrity.



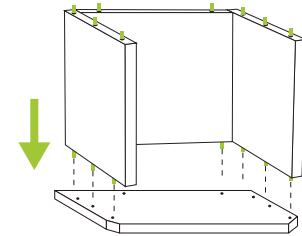
- Assemble your unit on a flat even surface, carpet not recommended
- Furniture is for indoor use only
- When moving your Way Basics furniture, lift from the bottom
- Make sure zBoard surfaces are clean and dry



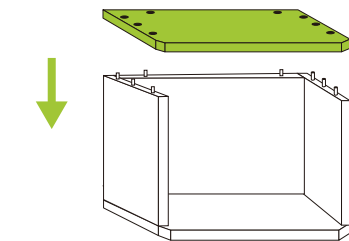
1 Carefully remove the 3M protective layer from adhesive.



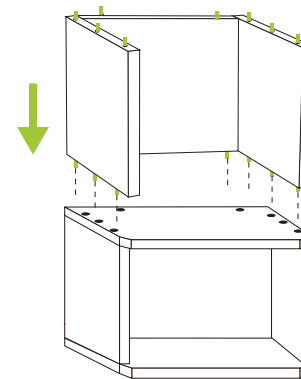
2 Place alignment pins in vertical zBoards and backboard.



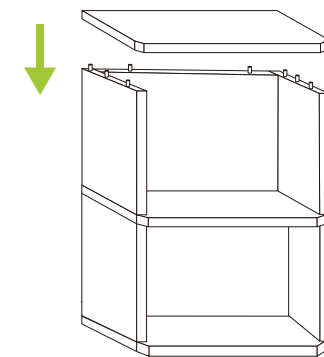
3 Start with the bottom horizontal zBoard. Align vertical zBoards and backboard to holes in the horizontal zBoard.



4 Align middle zBoard.



5 Align vertical zBoards and backboard to holes in the middle zBoard.



6 Align horizontal zBoard and press firmly to secure unit together. Visit links below for more details.

Enjoy building possibilities!



IT'S NOT WOOD! Thank you for saving trees



Simple

World's Easiest Assembly



Safe

Zero Formaldehyde or VOC



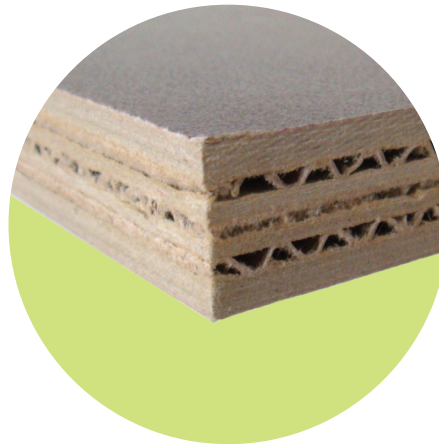
Eco

99% recycled 100% recyclable

flip for assembly guide 



Paper products are recycled after use



We use this recycled paper to create **zBoard**



zBoard products create a healthier world, healthier you!



Thank you for choosing Way Basics. At Way Basics we stand behind our products with a LIFETIME GUARANTEE. Your happiness is important to me and it's our goal to provide a 5-star-service with every purchase. Please call, text, or email me for help!

Jimmy Chiang

Way Basics Founder
jimmy@waybasics.com 949-229-1662

LET US
HELP

No need to return

