

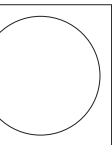
CAT SCRATCHER TUNNEL



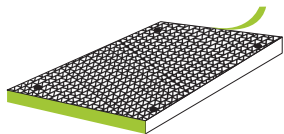
- Assemble your unit on a flat even surface
- Make sure zBoard surfaces are clean and dry
- When moving your Way Basics unit, lift from the bottom
- Use indoors and in dry areas only. Do not use in the bathroom

Included

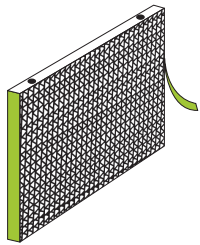
8 Pins



2 x Entry Covers

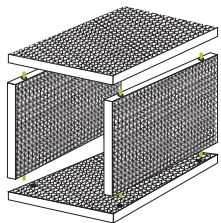


2 x Top and Bottom
Scratcher zBoards



2 x Side Scratcher zBoards

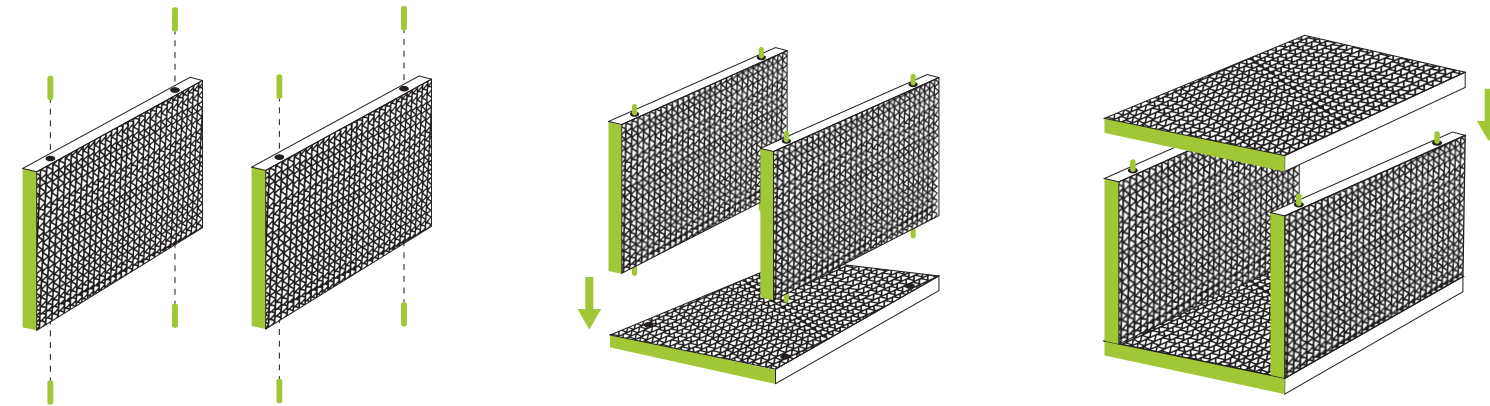
Important



THIS SIDE UP

DO NOT place unit on its side or back as it will compromise its structural integrity.

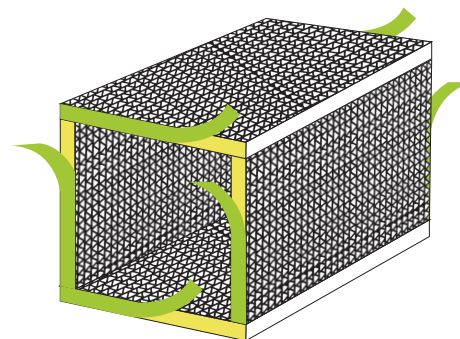
WARNING: CHOKING HAZARD
Small parts NOT for children under 3 years



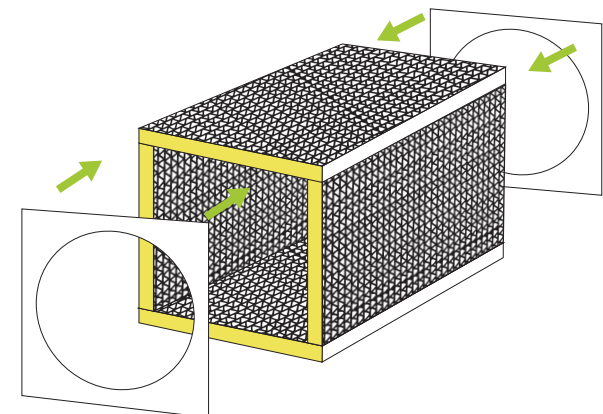
1 Insert alignment pins to Side zBoards.

2 Join Side zBoards to the Bottom zBoard.

3 Align Top Scratcher zBoard to unit as shown.



4 Carefully remove the protective layer on the zBoard edges (making sure not to remove the 3M adhesive shown in yellow).
Tip: Peel protective layer from side.



5 Carefully align the Entry Covers to unit as shown. Press firmly to secure. Scratch away!