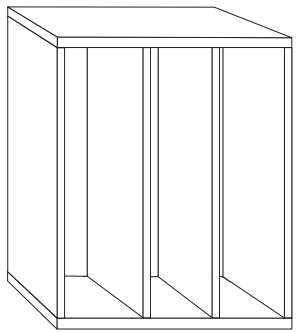
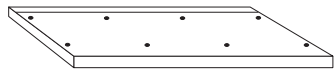


UPRIGHT WINE HOLDER



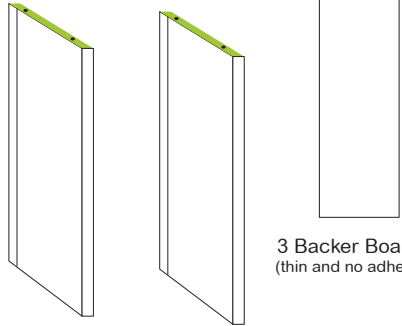
Included



1 Top zBoard

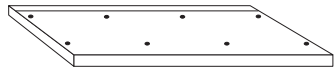


16 Pins



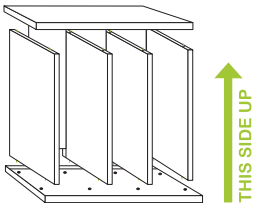
3 Backer Boards
(thin and no adhesive)

2 Side zBoards
(groove on one side) 2 Vertical zBoards
(groove on two sides)



1 Bottom zBoard

Important



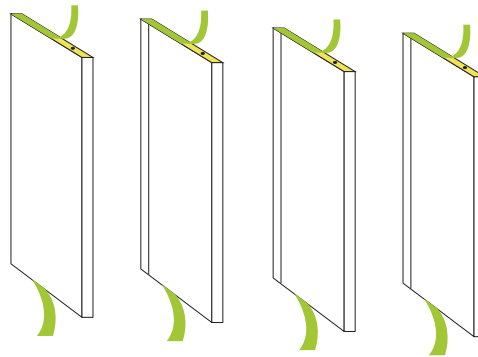
THIS SIDE UP

DO NOT place unit on its side or back as it will compromise its structural integrity.

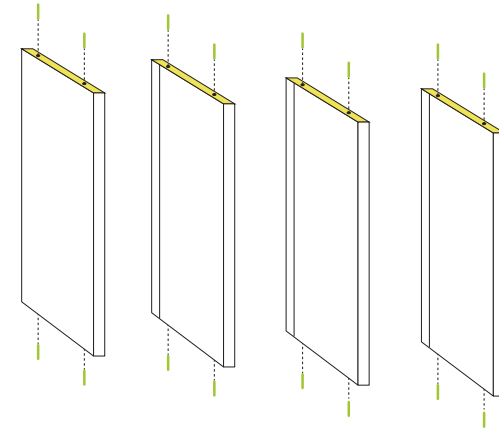
WARNING: CHOKING HAZARD
Small parts NOT for children under 3 years



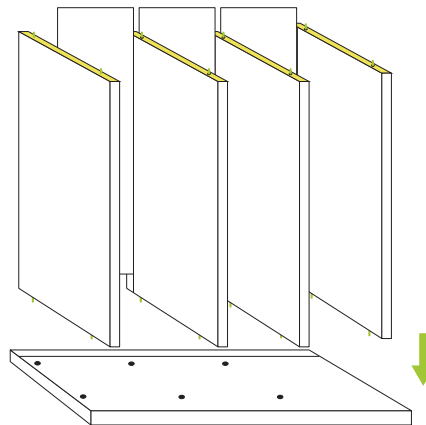
- Assemble your unit on a flat even surface
- Make sure zBoard surfaces are clean and dry
- When moving your Way Basics unit, lift from the bottom
- Use indoors and in dry areas only. Do not use in the bathroom



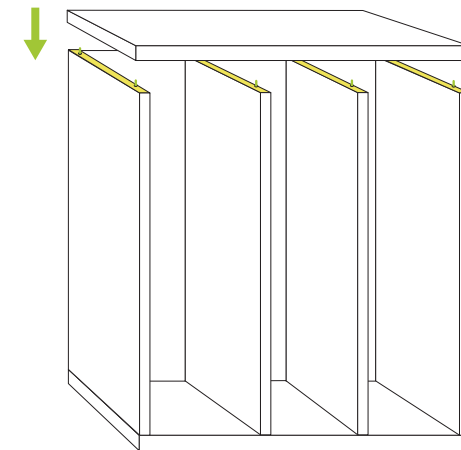
1 Carefully remove the protective layer on the Vertical and Side zBoards (making sure not to remove the 3M adhesive shown in yellow).
Tip: Peel protective layer from side.



2 Insert pins as shown.



3 Align Vertical, Side zBoards and Backer Boards to Bottom zBoard.



4 Align Top zBoard as shown and press firmly to secure unit together.