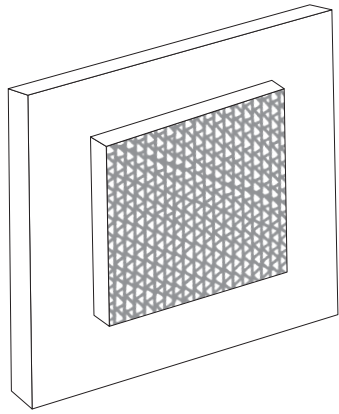
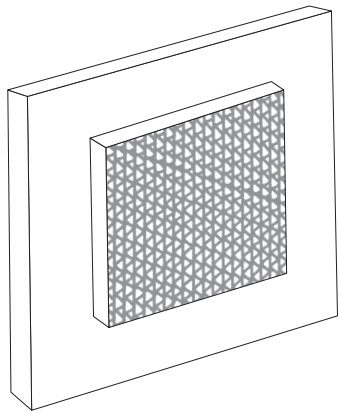


# SQUARE WALL CAT SCRATCHER



Included

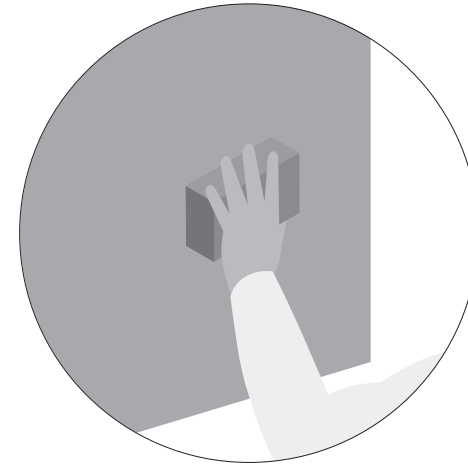
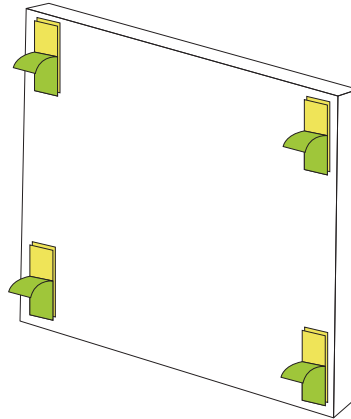


Cat Scratching Board with Velcro Strips



- Assemble your unit on a flat even surface
- Make sure zBoard surfaces are clean and dry

- Use indoors and in dry areas only. Do not use in the bathroom

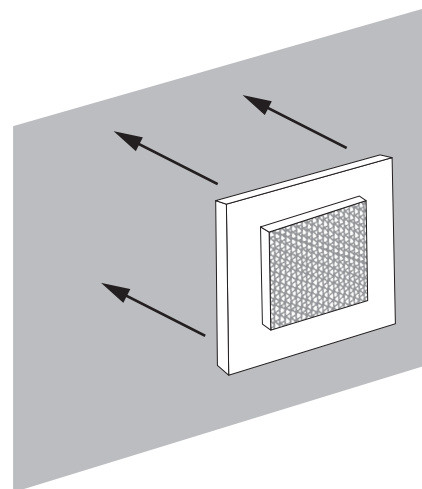


1

Remove adhesive protector from velcro strips.  
(making sure not to remove the 3M adhesive shown in yellow).

2

Wipe wall to make sure the surface is clean.



3

Press the cat scratching board firmly to wall.  
Warning: The adhesive is very sticky and may cause damage on wall or paint.



WARNING: CHOKING HAZARD  
Small parts NOT for children under 3 years

