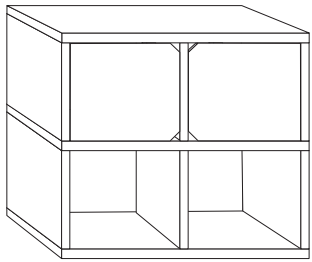


# MODULAR BOOKCASE WITH DOOR

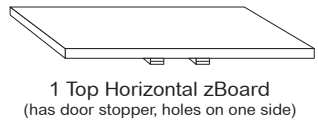


way basics

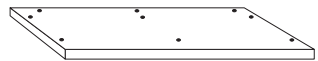
Newport Beach est. 2008



## Included



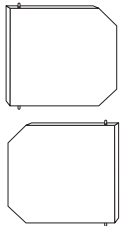
1 Middle Horizontal zBoard (holes on both sides)



1 Bottom Horizontal zBoard (holes on one side)

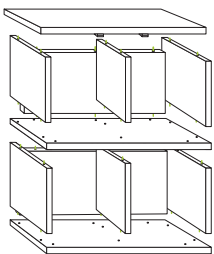


2 Back zBoards



## Important

2 Doors



THIS SIDE UP

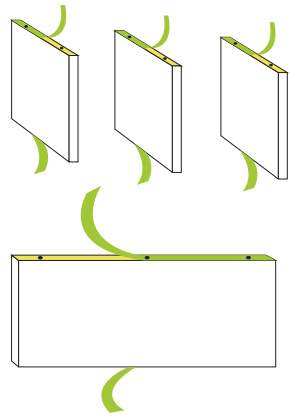
**DO NOT** place unit on its side or back as it will compromise its structural integrity.

**WARNING: CHOKING HAZARD**  
Small parts NOT for children under 3 years

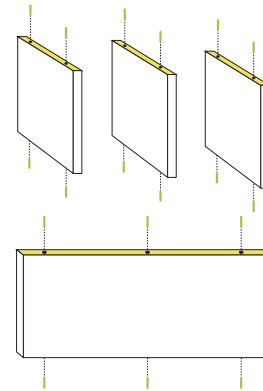


- Assemble your unit on a flat even surface
- Make sure zBoard surfaces are clean and dry

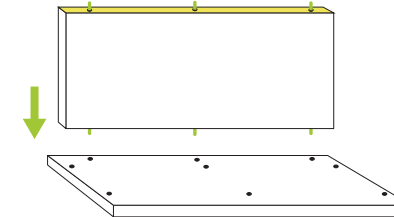
- When moving your Way Basics unit, lift from the bottom
- Use indoors and in dry areas only. Do not use in the bathroom



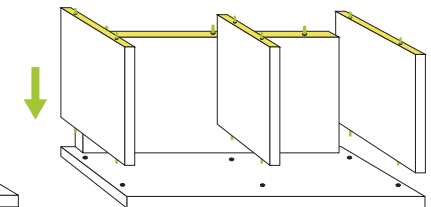
**1** Carefully remove the protective layer on the Vertical zBoards and Back zBoard (making sure not to remove the 3M adhesive).  
Tip: Peel protective layer from side.



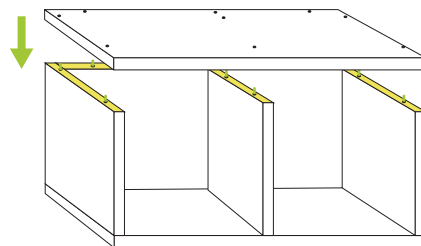
**2** Insert pins as shown.



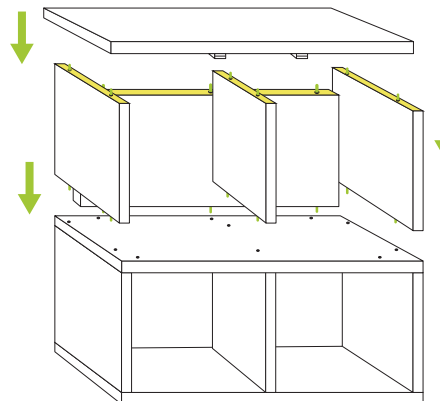
**3** Align Back zBoard to holes in the Bottom zBoard (holes on one side).



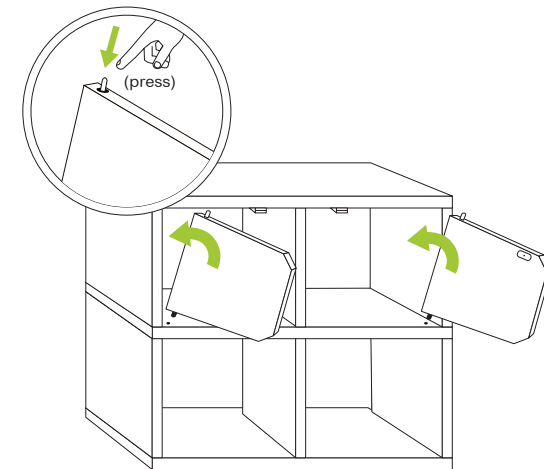
**4** Align Vertical zBoards to holes in the Bottom zBoard.



**5** Align Middle zBoard (holes on both sides) as shown and press firmly to secure unit together.



**6** Repeat steps 3-4 and then align Top Horizontal zBoard. Press down firmly to secure unit together.



**7** Position doors as shown. Align bottom door pin to hole. Press on spring loaded top pin and insert.



Contact Us [www.waybasics.com/contact](http://www.waybasics.com/contact)



Need Help? Call or text 949 229 3304

version 1121