



MOTION FREECOASTER (RHD)

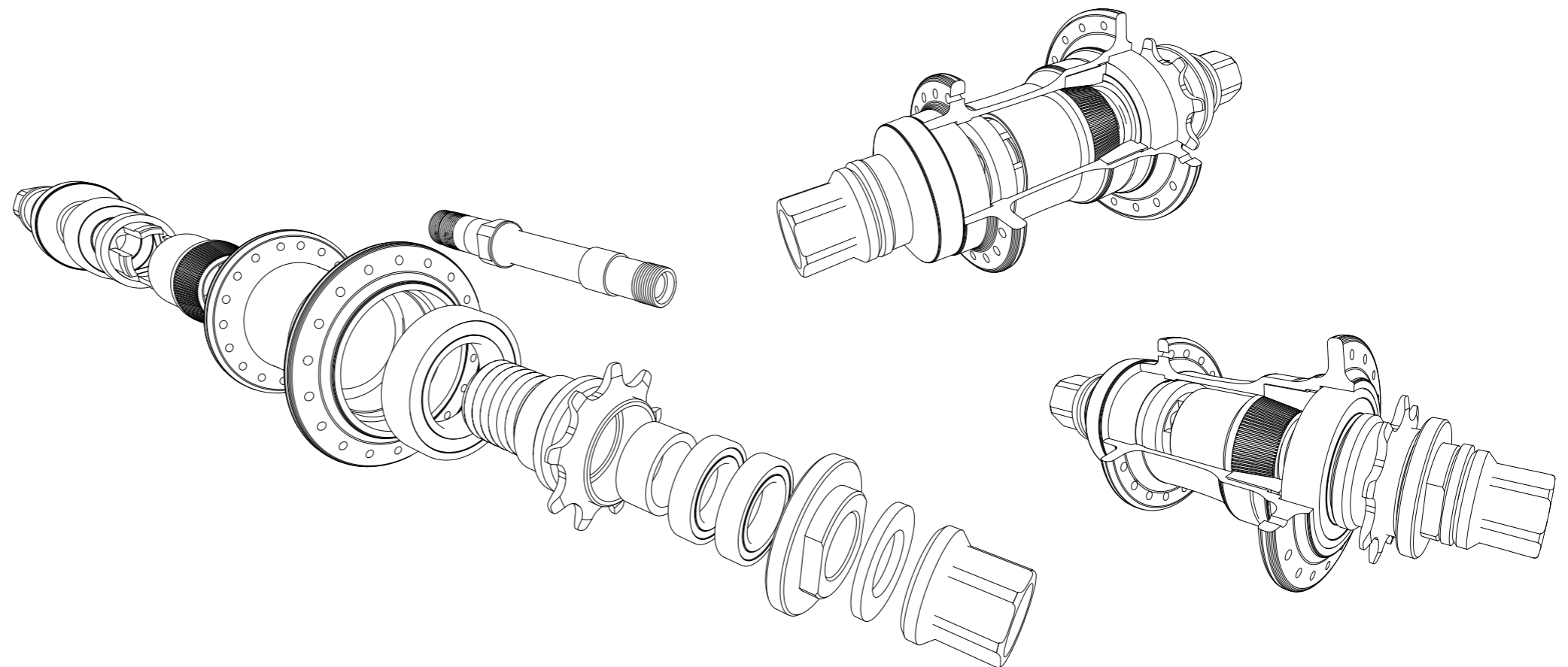
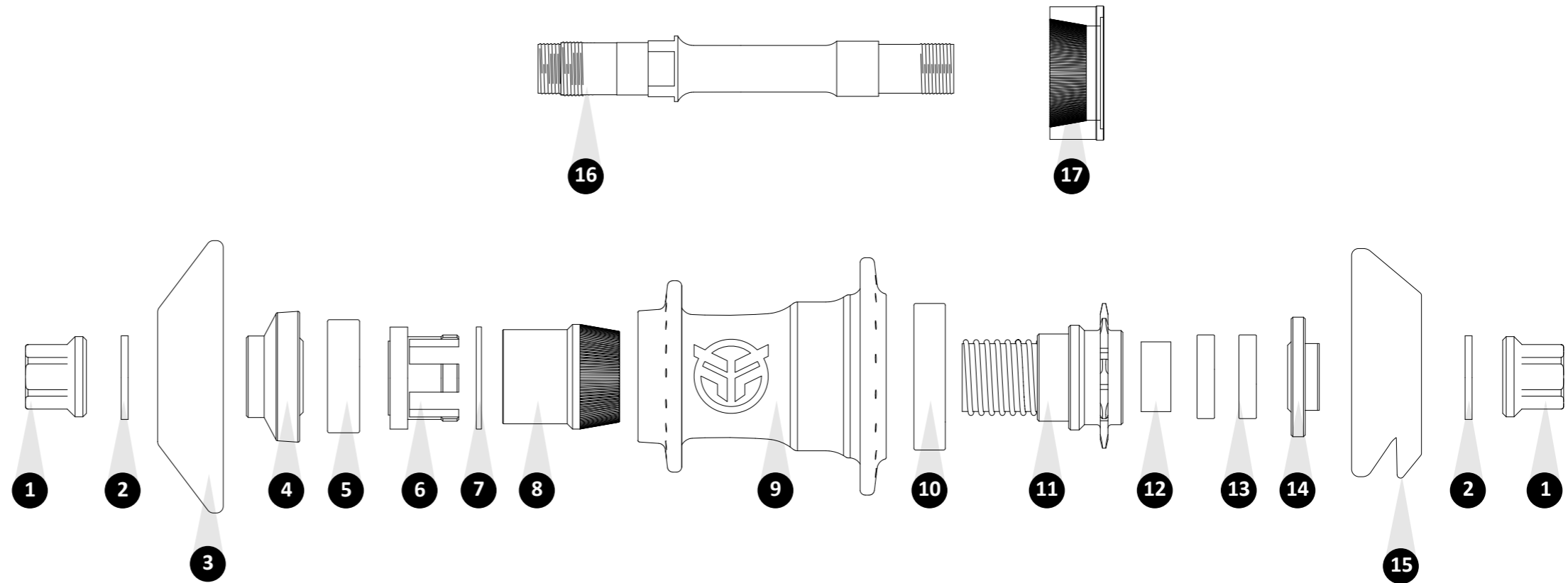
- Clutch retention spring system
- Less maintenance, easier to disassemble
- Internal drag reduction

Available in RHD / LHD
9t with male axle only

Black / Polished

Replacement Parts:

	Parts number:
1 wheel nut	n/a
2 wheel washer	n/a
3 non-drive side plastic hubguard	HGFE011-BK1-000
4 non-drive side cone nut	HPFE033
5 non-drive side bearing	HPFE034
6 nylon clutch retention spring	HPFE032
7 retention washer	HPFE035
8 RHD removable clutch	HPFE007
9 hub shell	n/a
10 drive side bearing	HPFE018
11 RHD 9t driver	HPFE011
12 nylon bushing	HPFE020
13 driver bearings (pair)	HPFE005
14 drive side cone nut	HPFE022
15 drive side plastic hubguard	HGFE010-BK1-000
16 male axle	AXFE009
17 mounted non removable clutch	n/a



www.federalbikes.com