



MOTION FREECOASTER (LHD)

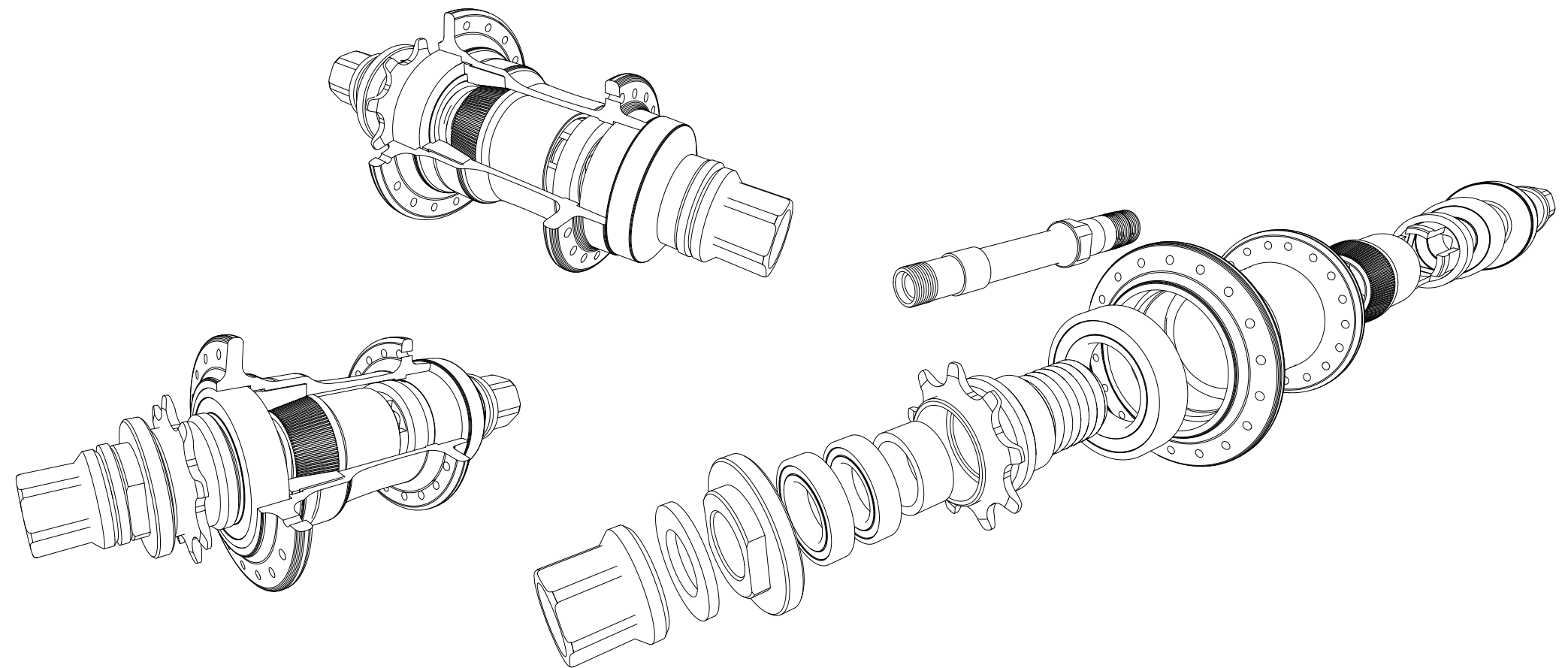
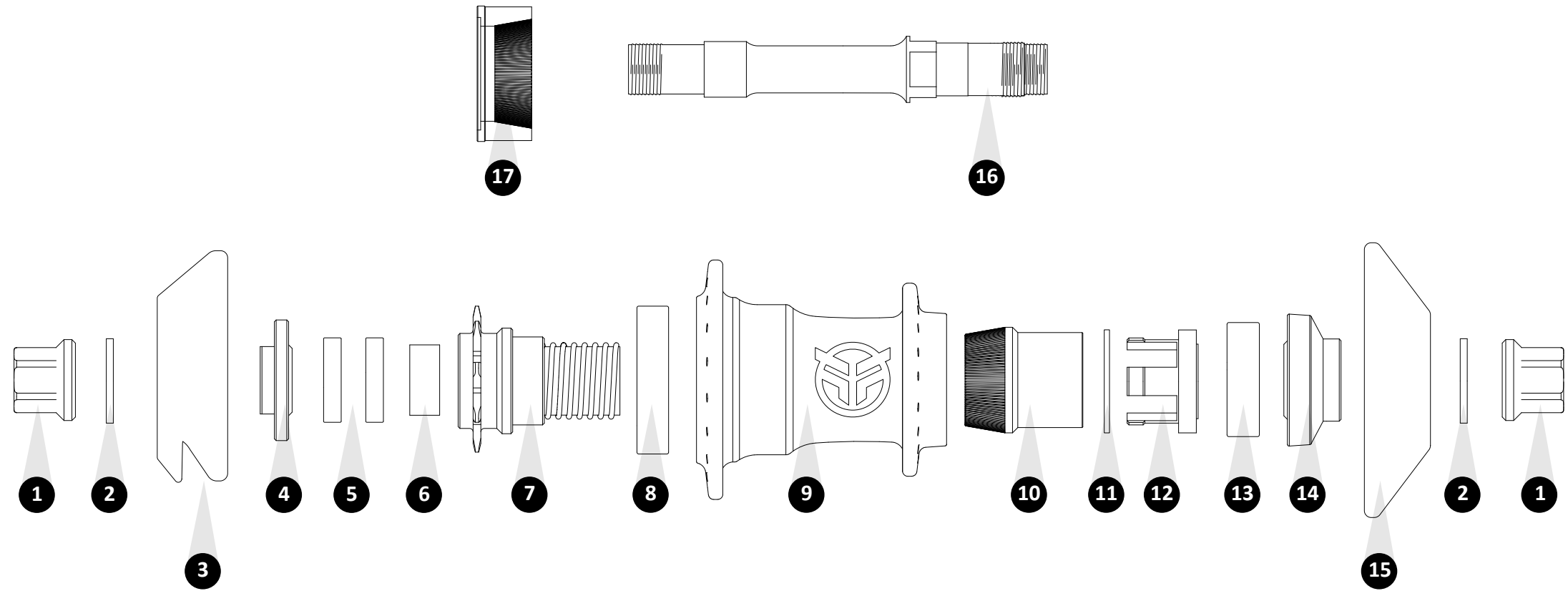
- Clutch retention spring system
- Less maintenance, easier to disassemble
- Internal drag reduction

Available in RHD / LHD
9t with male axle only

Black / Polished

Replacement Parts:

	Parts number:
1 wheel nut	n/a
2 wheel washer	n/a
3 drive side plastic hubguard	HGFE010-BK1-000
4 drive side cone nut	HPFE022
5 driver bearings (pair)	HPFE005
6 nylon bushing	HPFE020
7 LHD 9t driver	HPFE012
8 drive side bearing	HPFE018
9 hub shell	n/a
10 LHD removable clutch	HPFE008
11 retention washer	HPFE035
12 nylon clutch retention spring	HPFE032
13 non-drive side bearing	HPFE034
14 non-drive side cone nut	HPFE033
15 non-drive side plastic hubguard	HGFE011-BK1-000
16 male axle	AXFE009
17 mounted non removable clutch	n/a



www.federalbikes.com