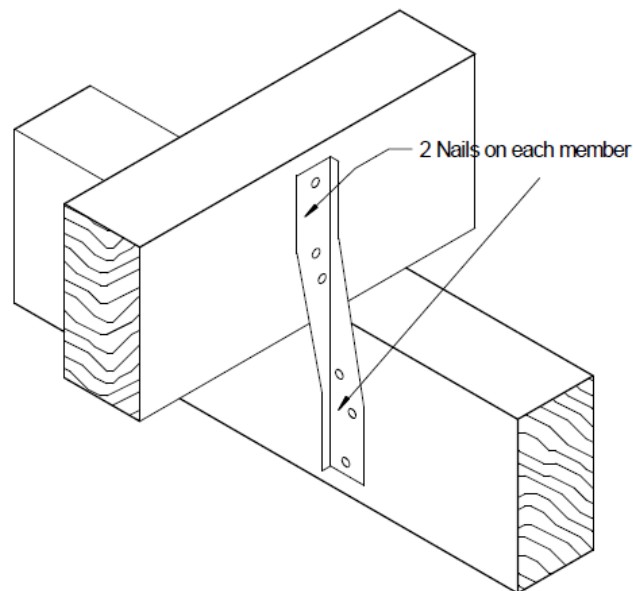


29 April 2015

**Wilmaplex Pty Ltd.**  
**57 Lathams Road,**  
**Carrum Downs, Vic 3201**  
Mr Graham storey

**RE/ Wilmaplex Joist Strap JS Design Capacity**

This is to confirm that Wilmaplex commissioned CEMQA Pty. Ltd. to undertake the task of evaluating the design capacity of G300 Z275 Joist Strap JS with 2 nails onto each end as shown in Figure 1. The evaluation was carried out via testing and computations based on 2 of 3.15x35mm Wilmaplex galvanized flat head nails into each end. The design capacities are given in Table 1. Refer report Job No. Wilmaplex/15/JS for more details.



**Figure 1** Details of Multi Grip MG100

*Notes:*

1. A capacity factor  $\phi = 0.85$  and a duration factor  $k_1 = 1.14$  for wind uplift loading was applied to all the capacities in Table 1.
2. The values in Table 1 apply to Category 1 joints, design capacities for joint groups 2 and 3 are 0.94 and 0.88 consecutively.
3. Computations were undertaken in accordance with the relevant Standards, AS1720 and AS/NZS1170 series.

Dr Con Adam (Director)  
CEMQA Pty. Ltd.  
P.O. Box 2660  
Mt. Waverley, VIC 3149

**Table 1      Limit states design capacities for a of Wilmaplex Joist Strap JS**

Joist Strap Code	Fixing (Nails) into each end	1.35G	1.2G+1.5Q <sub>f</sub>	1.2G+1.5Q <sub>r</sub>	1.2G+W <sub>dn</sub> Or Wind Uplift
		Design Capacity (kN) for Joint Group JD4			
JS	2	0.8	1.0	1.1	1.6