

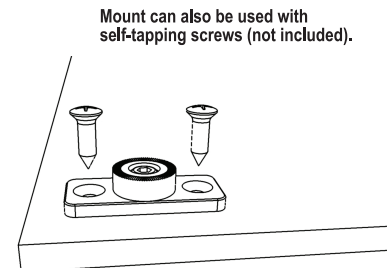
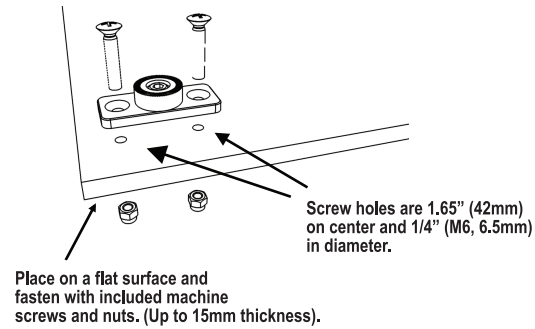
Thanks for purchasing a 9.Solutions product. With great passion, we design our products to be as versatile as possible. We hope that our products contribute to your creative vision.



Sincerely,

The 9.Solutions Team

**SPECIFICATIONS:**  
Weight: 55 g  
Connection(s):  
(1x) Quick Connect Receiver  
(1x) Screw Plate (1/4", M6, 6.5mm Diam. Holes w/ Countersink)  
Package Contents:  
(1x) Quick Mount Receiver to Screw-on Plate  
(2x) 1/4"-20 Machine Screw



Always follow the safety standards and regulations of the given country where the product is being used.

Visit [www.9.solutions](http://www.9.solutions) for more info.