

Thanks for purchasing a 9.Solutions product.
With great passion, we design our products to
be as versatile as possible. We hope that our
products contribute to your creative vision.

9.SOLUTIONS
Quick Mount Receiver to Handle Bar

Sincerely,

The 9.Solutions Team

SPECIFICATIONS:

Weight: 57 g

Connection(s):

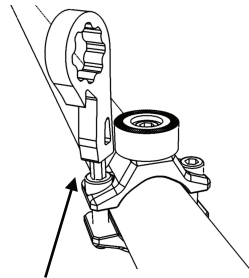
(1x) Quick Mount Receiver

(1x) Handle Bar Mount (26-30mm)

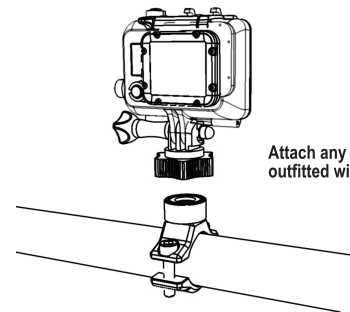
Package Contents:

(1x) Quick Mount Receiver to Handle Bar

(2x) 3/16" Allen Screw



Use a 9.Solutions GoPro Multi-tool or
a 3/16" allen key to fasten mount to a
pole, handle bar, or roll bar.



Attach any equipment that is
outfitted with the Quick Mount.

Always follow the safety standards and regulations of the given country where the product is being used.

Visit www.9.solutions for more info.