

Thanks for purchasing a 9.Solutions product.  
With great passion, we design our products to  
be as versatile as possible. We hope that our  
products contribute to your creative vision.

**9.SOLUTIONS**  
Quick Mount Receiver to 3/8" Gag

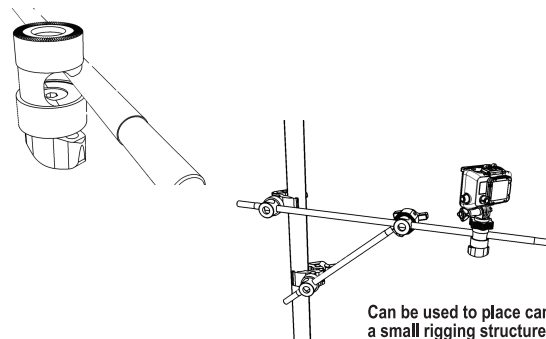
Sincerely,

The 9.Solutions Team

**SPECIFICATIONS:**

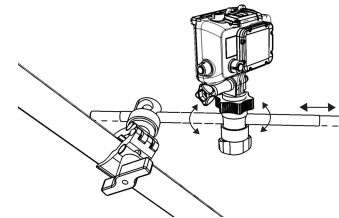
Weight: 39 g  
Connection(s):  
(1x) Quick Mount Receiver  
(1x) 3/8" (10mm) Pass-thru Receptacle  
Package Contents:  
(1x) Quick Mount Receiver to 3/8" Gag

Place unit anywhere along a 3/8" (10mm) rod.  
Lock position with knob.



Can be used to place cameras on  
a small rigging structure.

Unit can slide along a rod or rotate around axis.



Always follow the safety standards and regulations of the given country where the product is being used.

Visit [www.9.solutions](http://www.9.solutions) for more info.