

Thanks for purchasing a 9.Solutions product.
With great passion, we design our products to
be as versatile as possible. We hope that our
products contribute to your creative vision.

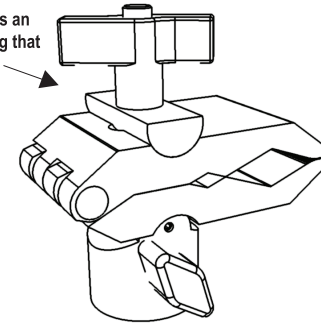
Sincerely,
The 9.Solutions Team

SPECIFICATIONS:

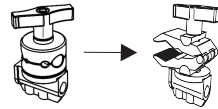
Weight: 485 g
Clamping Range: 0-50mm
Max Load: 20 kg
Connection(s):
(1x) 5/8" (16mm) Receptacle
Package Content(s):
(1x) Python Clamp with Snap-in Socket



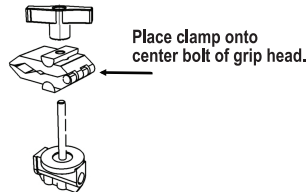
The tightening knob features an igus® Plysorb thrust bearing that increases torque by 40%.



Replace the discs on a grip head with the Python Clamp to allow a wider range of clamping possibilities on flat objects, large tubes, or any odd shaped object.

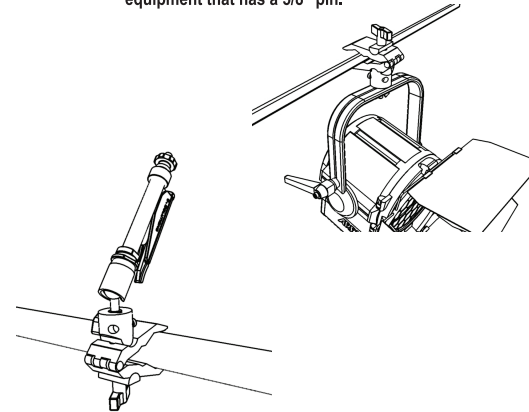


Remove discs from grip head.



Place clamp onto center bolt of grip head.

The Python Clamp with Snap-in Socket can be used to hang lighting fixtures or to mount equipment that has a 5/8" pin.



Always follow the safety standards and regulations of the given country where the product is being used.

Visit www.9.solutions for more info.