

Thanks for purchasing a 9.Solutions product. With great passion, we design our products to be as versatile as possible. We hope that our products contribute to your creative vision.



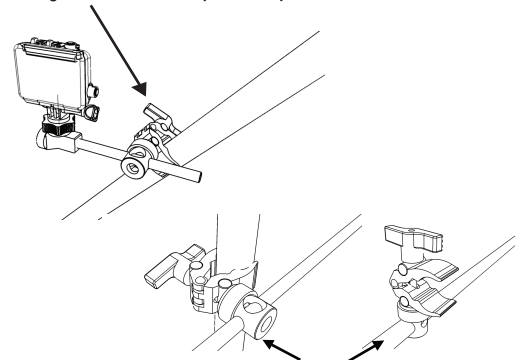
Sincerely,

The 9.Solutions Team

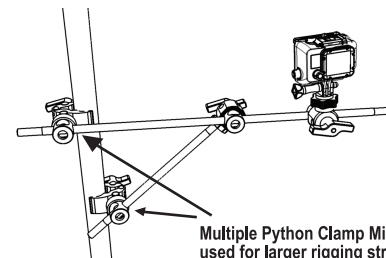
SPECIFICATIONS:

Weight: 137 g
Max Load: 5 kg
Clamp Range: 8 - 35mm tube/rod
Connection(s):
(1x) 3/8" (10mm) Pass-thru Receptacle
(1x) 5/8" (16mm) Pass-thru Receptacle
Package Contents:
(1x) Python Clamp Mini

T-knob tightens both the clamp and receptacle.



Fits 3/8" (10mm) or 5/8" (16mm) rods



Multiple Python Clamp Minis can be used for larger rigging structures.

Always follow the safety standards and regulations of the given country where the product is being used.

Visit www.9.solutions for more info.