

Thanks for purchasing a 9.Solutions product. With great passion, we design our products to be as versatile as possible. We hope that our products contribute to your creative vision.

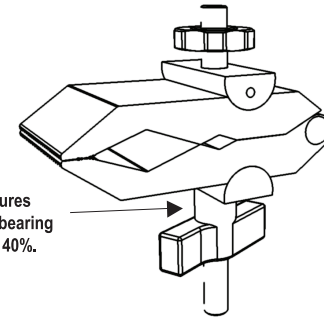
Sincerely,

The 9.Solutions Team

SPECIFICATIONS:

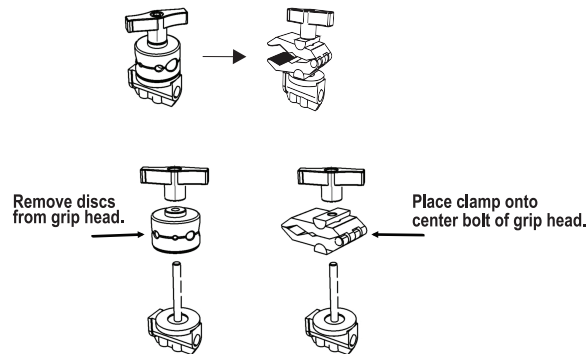
Weight: 430 g
Clamping Range: 0-50mm
Max Load: 20 kg
Connection(s):
(1x) 3/8" Male Thread
Package Content(s):
(1x) Python Clamp with 3/8" Male Thread

9.SOLUTIONS
Python Clamp with 3/8" Male Thread

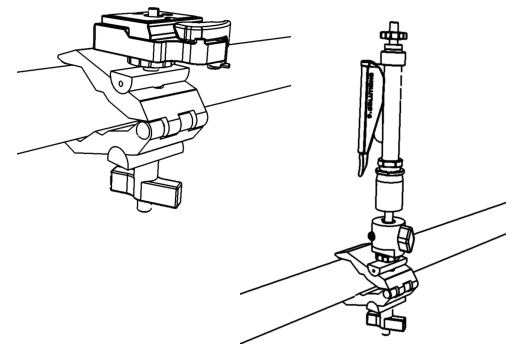


The tightening knob features an igus® Plysorb thrust bearing that increases torque by 40%.

Replace the discs on a grip head with the Python Clamp to allow a wider range of clamping possibilities on flat objects, large tubes, or any odd shaped object.



The Python Clamp with 3/8" Male Thread has a 3/8"-16 threaded screw for mounting female threaded equipment like quick release plates, tripod heads, and cheeseplates.



Always follow the safety standards and regulations of the given country where the product is being used.

Visit www.9.solutions for more info.