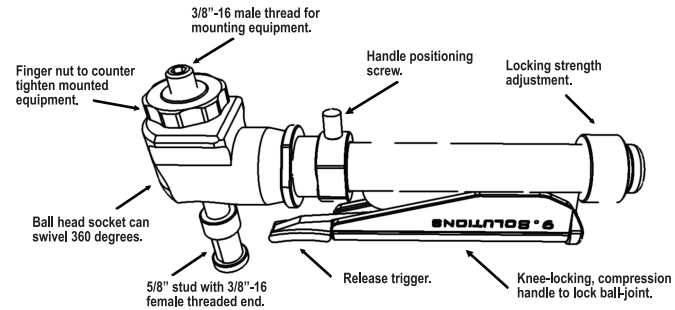


Thanks for purchasing a 9.Solutions product.  
With great passion, we design our products to  
be as versatile as possible. We hope that our  
products contribute to your creative vision.

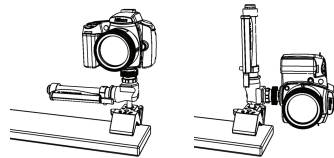
Sincerely,  
The 9.Solutions Team

**SPECIFICATIONS:**

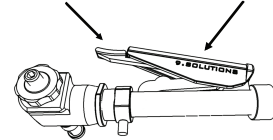
Weight: 490 g  
Max Load: 15 kg  
Connection(s):  
(1x) 3/8"-16 Male Thread  
(1x) 5/8" Pin with 3/8" Female Thread  
Package Content(s):  
(1x) Angled El-Bo Arm



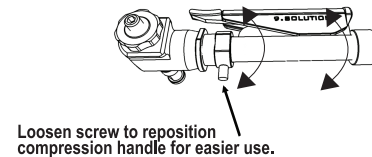
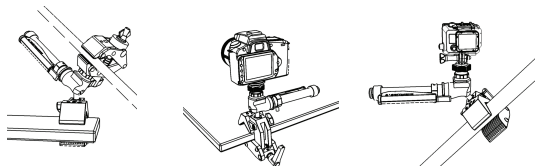
**Easily angle a camera from horizontal to vertical.**



**Press red release trigger to unlock the arm.**      **Squeeze compression handle to lock arm.**



**El-Bo Arms can be used in combination with clamps to create an adjustable mount for cameras or other equipment.**



Always follow the safety standards and regulations of the given country where the product is being used.

Visit [www.9.solutions](http://www.9.solutions) for more info.