

Thanks for purchasing a 9.Solutions product.
With great passion, we design our products to
be as versatile as possible. We hope that our
products contribute to your creative vision.

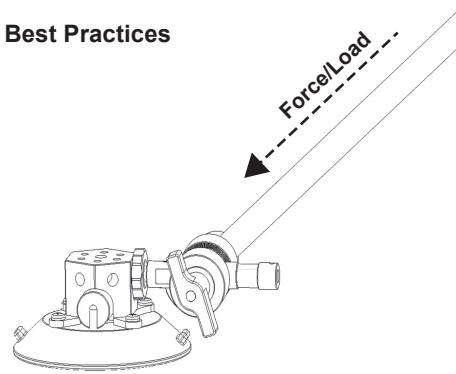
Sincerely,

The 9.Solutions Team

9.SOLUTIONS
Suction Cup

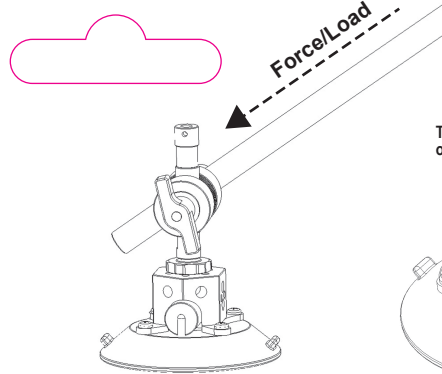


Best Practices



Good. (low to surface mounting)

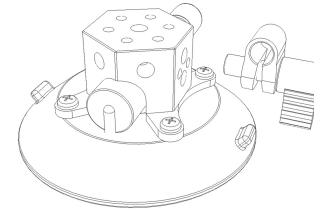
In this configuration, force is directed toward the center of the suction cup and more evenly distributes weight throughout the mount. This creates a safer and longer lasting grip.



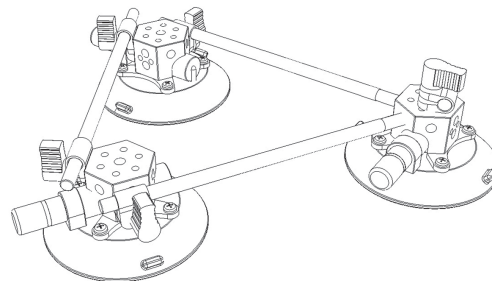
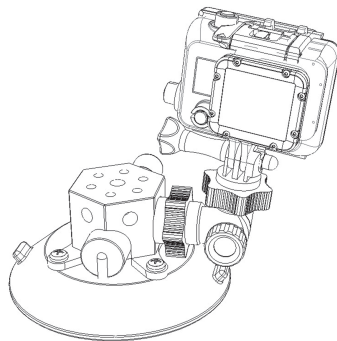
Bad. (traditional top mounting)

This configuration directs force away from the center of the suction cup, creating an uneven distribution of weight and will result in a less stable grip.

The 3/8" rod clamps can be positioned on any side of the cheese block.

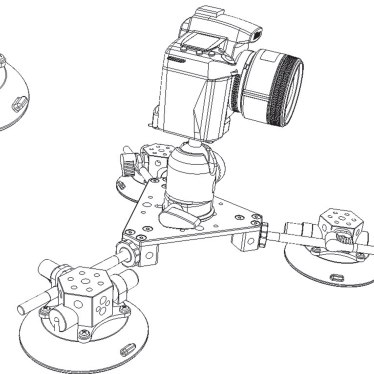


Attach a 9.Solutions 1/4"-20 SCREW-ON QUICK MOUNT RECEIVER to use any 9.Solutions MAGNETIC QUICK MOUNT accessory!



3/8" rods can be mounted using either the built-in rod clamps or directly through the 3/8" threaded taps.

When mounting larger cameras, use a cheese plate and a support structure with no fewer than three mounting point.



Always follow the safety standards and regulations of the given country where the product is being used.

Visit www.9.solutions for more info.